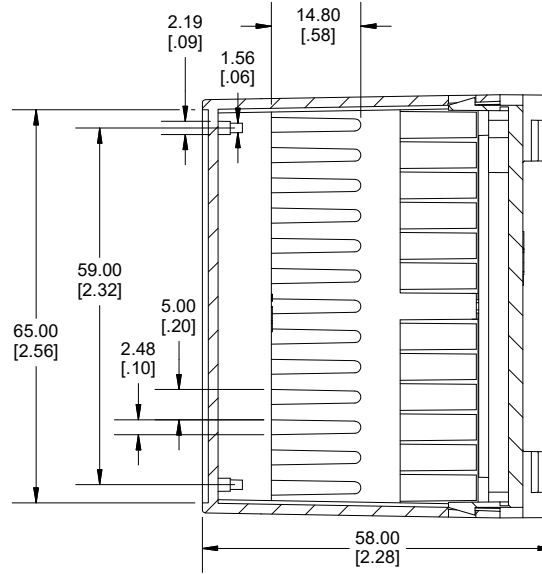
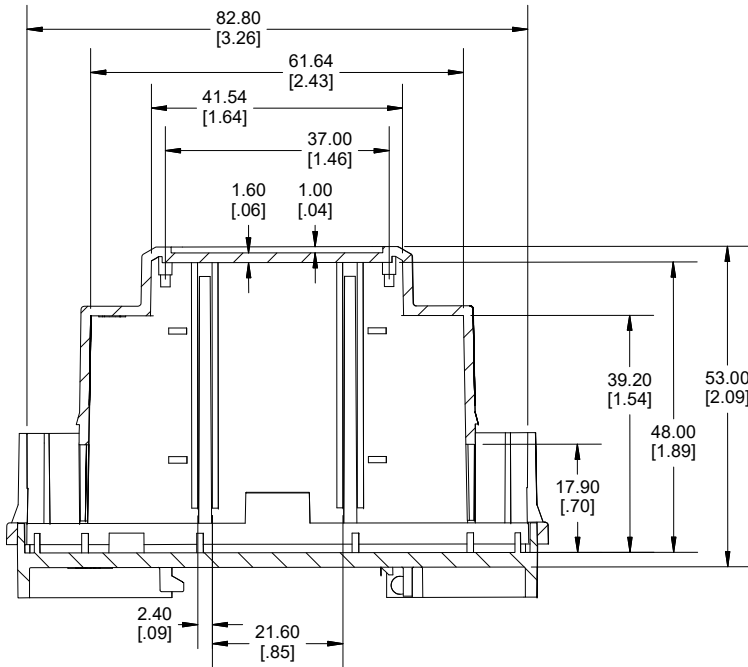
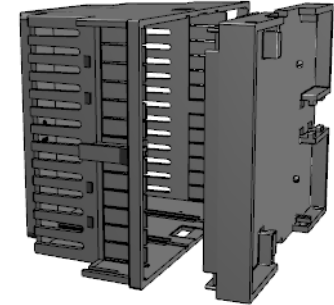


TOP VIEW



SECTION A-A



SECTION B-B

Enclosures can be Factory Modified (Milling, Drilling, Printing etc.)
 Contact Factory (modshop@hammfg.com) for quotes
 Solid models of this enclosure available in .stp or .x_t
 (Part number and text placement/orientation on our products are subject to change,
 we do not recommend using them as a locating reference for modification purposes)

NOTE

Purchased enclosure includes base and cover.
 Cover is made from polycarbonate, Base is made from PPE+PS.

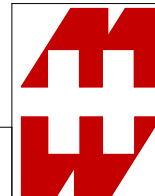
PART NUMBERS

1597DIN

4 Module enclosure grey	1597DIN4GY
-------------------------	------------

ACCESSORIES

Cover panel closed (Pkg 1)	1597DINCOV1GY
Cover panel oval (Pkg 1)	1597DINCOV2GY
Cover panel vented (Pkg 1)	1597DINCOV3GY
Cover panel knockout (Pkg 1)	1597DINCOV4GY



**HAMMOND
 MANUFACTURING®**

1597DIN4

www.hammondmfg.com

Dimensions:
 mm
 [inches]