

Manufactured from quality moulding and metal components to ensure a secure and reliable connection, Bulgin's battery holder range caters for battery sizes AAA(R03), AA(R6), C(R14), D(R20) and PP3(6R61), accommodating 1, 2, 3 or 4 cells.



There's a choice of fixing styles including screw and flange panel fixing, PCB and base mounting versions.

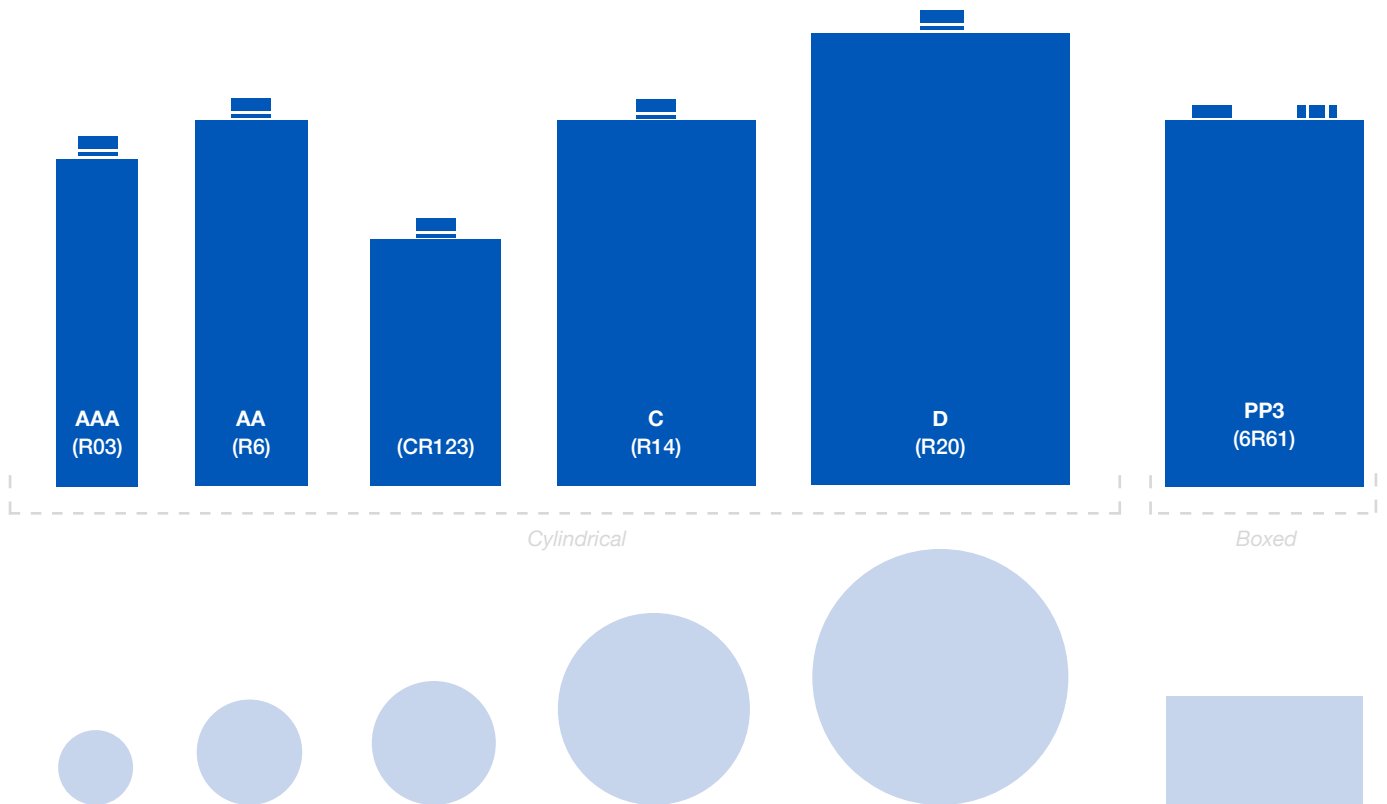
The panel mounting versions are now available in two styles; standard fixing and front panel sealed to IP67, extending the applications into harsher external environments where dust or water would inhibit equipment operation.

The open frame styles are designed to be either PCB or base mounted and most have an interlocking facility to join adjacent holders together.


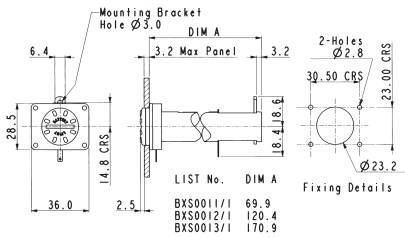

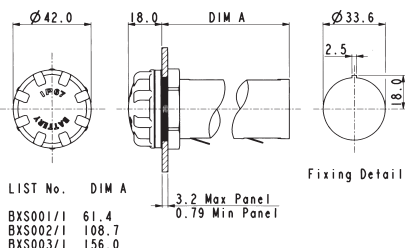

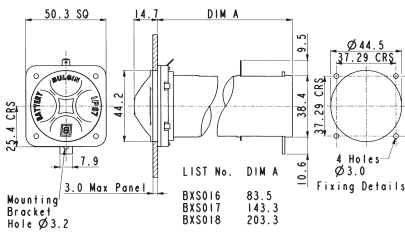
Principle applications include portable equipment and memory back-up.

Front panel sealed to IP67	343
Panel Mounting	344
PCB/Base Mounting	346

Battery size	Battery Dimensions	No. of Cells	Mounting	Part No.
AAA (R03)	Ø10.5 x 44.5	1	PCB/Base	BX0034
AA (R6)	Ø14.5 x 50.5	1	PCB/Base	BX0035
		1	Panel	BX0011/1
		2	Panel	BX0012/1
		3	Panel	BX0013/1
		4	Panel	BX0027
		1	Panel Sealed	BXS011/1
		2	Panel Sealed Panel	BXS012/1
3	Sealed	BXS013/1		
CR123	Ø17.0 x 34.5	1	PCB/Base	BX0123
C (R14)	Ø26.2 x 50	1	PCB/Base	BX0036
		1	Panel	BX0001/1
		2	Panel	BX0002/1
		3	Panel	BX0003/1
		1	Panel Sealed	BXS001/1
		2	Panel Sealed	BXS002/1
D (R20)	Ø34.2 x 61.5	3	Panel Sealed	BXS003/1
		1	PCB/Base	BX0037
		1	Panel	BX0016
		2	Panel	BX0017
		3	Panel	BX0018
		1	Panel Sealed	BXS016
		2	Panel Sealed	BXS017
		3	Panel Sealed	BXS018
		PP3 (6R61)	W26.5 x D17.5 x H48.5	1
1	Panel			BX0023
1	Panel			BX0023/GY
2	Panel			BX0026




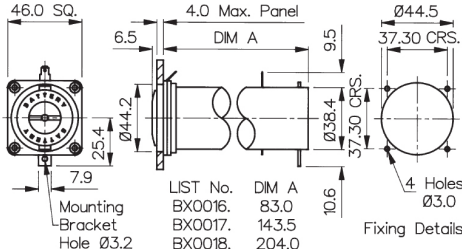

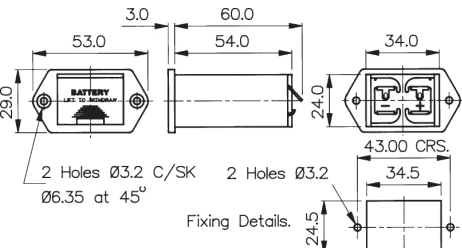

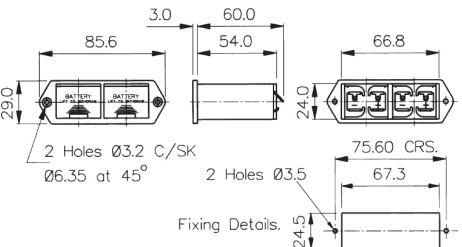
As batteries from different manufacturers may vary slightly in size, Dimensions & Drawings are approximate only. All Bulgin Battery Holders have polarity clearly marked.

<p>AA SIZE BATTERY HOLDER</p>  <p>BXS011/1</p>	<ul style="list-style-type: none"> <li>○ 1, 2 or 3 Cells</li> <li>○ Flanged Panel Mount</li> <li>○ Bayonet with finger/coin slot release</li> <li>○ Supplied with gasket and sealing grommets for screws</li> </ul>	 <p>LIST No. DIM A</p> <p>BXS0011/1 69.9 BXS0012/1 120.4 BXS0013/1 170.9</p>
<p>C SIZE BATTERY HOLDER</p>  <p>BXS001/1</p>	<ul style="list-style-type: none"> <li>○ 1, 2 or 3 Cells</li> <li>○ Panel Mount</li> <li>○ Screw Cap/Hand release</li> <li>○ Supplied with gasket</li> </ul>	 <p>LIST No. DIM A</p> <p>BXS001/1 61.4 BXS002/1 108.7 BXS003/1 156.0</p>
<p>D SIZE BATTERY HOLDER</p>  <p>BXS016</p>	<ul style="list-style-type: none"> <li>○ 1, 2 or 3 Cells</li> <li>○ Flanged Panel Mount</li> <li>○ Bayonet/finger release</li> <li>○ Supplied with flange gasket and sealing grommets for screws</li> </ul>	 <p>LIST No. DIM A</p> <p>BXS016 83.5 BXS017 143.3 BXS018 203.3</p>

Specification	BXS011/1, BXS012/1, BXS013/1	BXS001/1, BXS002/1, BXS003/1	BXS016, BXS017, BXS018
Battery/Cell Type:	AA (R6)	C (R14)	D (R20)
No. Cells:	BXS011/1 - 1 cell BXS012/1 - 2 cells BXS013/1 - 3 cells	BXS001/1 - 1 cell BXS002/1 - 2 cells BXS003/1 - 3 cells	BXS016 - 1 cell BXS017 - 2 cells BXS018 - 3 cells
Terminations:	2.8 series tabs/solder tags	2.8 series tabs/solder tags	4.8 series tabs/solder tags
Operating Temperature:	-30°C to +70°C	-30°C to +70°C	-30°C to +70°C
Mouldings:	Nylon Glass filled Polyester Polycarbonate	Nylon Glass filled Polyester	Nylon Glass filled Polyester
Flammability Rating:	UL94V-0	UL94V-0	UL94V-0
Contacts:	Brass, Tin Plated - rear contact Nickel Silver, clean - front contact and cap contact plate	Brass, Tin Plated - front and rear contacts Nickel Silver, clean - cap contact plate	Brass, Nickel Plated - front and rear contacts and cap contact plate
Features:	Bayonet cap with finger grip and coin slot Rear support bracket	Screw on cap with finger grip Recommended torque for panel ring 1.13-1.7Nm (10-15lbf.in)	Bayonet cap with finger grip Rear support bracket
Sealing (front of panel):	Protection classification IP67, EN60529:1992+A2:2013	Protection classification IP67, EN60529:1992+A2:2013	Protection classification IP67, EN60529:1992+A2:2013
Notes:	Recommend 2 & 3 cell versions are supported by rear bracket		Recommend 2 & 3 cell versions are supported by rear bracket
RoHS	Compliant	Compliant	Compliant
Dim A (depending on number of cells):	BXS011/1 = 69.9 BXS012/1 = 120.4 BXS013/1 = 170.9	BXS001/1 = 61.4 BXS002/1 = 108.7 BXS003/1 = 156.0	BXS016 = 83.5 BXS017 = 143.3 BXS018 = 203.3

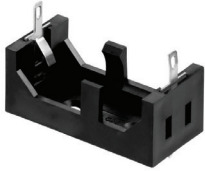
<p>AA SIZE BATTERY HOLDER</p> <p>BX0011/1</p>	<ul style="list-style-type: none"> <li>○ 1, 2 or 3 Cells</li> <li>○ Flanged Panel Mount</li> <li>○ Bayonet/Screwdriver release</li> </ul>	<p>Mounting Bracket Hole <math>\varnothing 3.0</math></p> <p>3.2 Max. Panel</p> <p>2 Holes <math>\varnothing 2.5</math></p> <p>27.00 CRS.</p> <p><math>\varnothing 22.35</math></p> <p>6.4</p> <p>14.8</p> <p>A</p> <p>3.2</p> <p>21.4</p> <p>18.7</p> <p>1.7</p> <p><math>\varnothing 33.3</math></p> <p>LIST No. DIM A</p> <p>BX0011/1. 68</p> <p>BX0012/1. 118.6</p> <p>BX0013/1. 169.5</p> <p>Fixing Details.</p>
<p>AA SIZE BATTERY HOLDER</p> <p>BX0027</p>	<ul style="list-style-type: none"> <li>○ 4 Cells</li> <li>○ Flanged Panel Mount</li> <li>○ Drawer function</li> </ul>	<p>95.3</p> <p>4.0</p> <p>57.2</p> <p>30.1</p> <p>23.0</p> <p>9.9</p> <p>26.0</p> <p>2 Holes <math>\varnothing 3.8</math> C/SK</p> <p><math>\varnothing 6.35</math> at 45</p> <p>82.60 CRS.</p> <p>72.0</p> <p>21.2</p> <p>Fixing Details.</p> <p>2 Holes <math>\varnothing 3.8</math></p>
<p>C SIZE BATTERY HOLDER</p> <p>BX0001/1</p>	<ul style="list-style-type: none"> <li>○ 1, 2 or 3 Cells</li> <li>○ Panel Mount</li> <li>○ Screw Cap/Hand release</li> </ul>	<p><math>\varnothing 38.1</math></p> <p>12.3</p> <p>A</p> <p>2.5</p> <p>18.0</p> <p>3.2 Max. Panel</p> <p>0.79 Min. Panel.</p> <p>LIST No. DIM A</p> <p>BX0001/1. 62.0</p> <p>BX0002/1. 109.0</p> <p>BX0003/1. 156.0</p> <p>Fixing Details.</p>

Specification	BX0011/1, BX0012/1, BX0013/1	BX0027	BX0001/1, BX0002/1, BX0003/1
Battery/Cell Type:	AA (R6)	AA (R6)	C (R14)
No. Cells:	BX0011/1 - 1 cell BX0012/1 - 2 cells BX0013/1 - 3 cells	4 cells	BX0001/1 - 1 cell BX0002/1 - 2 cells BX0003/1 - 3 cells
Terminations:	2.8 series tabs/solder tags	4 solder tags (can be wired in series or in pairs)	2.8 series tabs/solder tags
Operating Temperature:	-30°C to +70°C	-30°C to +70°C	-30°C to +70°C
Flammability Rating:	UL94V-0	UL94HB	UL94V-0 (Cap = UL94HB)
Mouldings:	Glass Filled Nylon & Polyester	Glass Filled Nylon	Nylon & Glass Filled Nylon
Contacts:	Brass, Tin Plated Nickel Silver, clean	Phosphor Bronze, Tin Plated Nickel Silver, clean	Nickel Silver, clean Brass, Tin Plated
Features:	Bayonet cap with coin slot Rear support bracket	Removable loading/latching drawer	Screw on cap. Recommended torque for panel ring 1.13-1.7Nm (10-15lb.in)
Notes:	Recommend 2 & 3 cell versions are supported by rear bracket		
<b>RoHS</b>	Compliant	Compliant	Compliant
Dim A (depending on number of cells):	BX0011/1 = 68 BX0012/1 = 118.6 BX0013/1 = 169.5		BX0001/1 = 62.0 BX0002/1 = 109.0 BX0003/1 = 156.0

<p>D SIZE BATTERY HOLDER</p>  <p>BX0016</p>	<ul style="list-style-type: none"> <li>○ 1, 2 or 3 Cells</li> <li>○ Flanged Panel Mount</li> <li>○ Bayonet/Screwdriver release</li> </ul>	
<p>PP3 SIZE BATTERY HOLDER</p>  <p>BX0023 BX0023/GY</p>	<ul style="list-style-type: none"> <li>○ 1 Cell</li> <li>○ Flanged Panel Mount</li> <li>○ Drawer function</li> <li>○ Grey version available (BX0023/GY)</li> </ul>	
<p>PP3 SIZE BATTERY HOLDER</p>  <p>BX0026</p>	<ul style="list-style-type: none"> <li>○ 2 Cell</li> <li>○ Panel Mount</li> <li>○ Screw Cap/Hand release</li> </ul>	

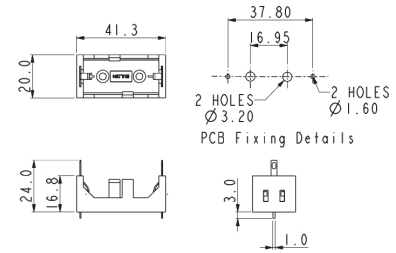
Specification	BX0016, BX0017, BX0018	BX0023, BX0023/GY	BX0026
Battery/Cell Type:	D (R20)	PP3 (6R61)	PP3 (6R61)
No. Cells:	BX0016 - 1 cell BX0017 - 2 cells BX0018 - 3 cells	BX0023 - 1 cell BX0023/GY - 1 cell (grey version)	2 cells
Terminations:	4.8 series tabs/solder tags	Solder tag	Solder tags
Operating Temperature:	-30°C to +70°C	-30°C to +70°C	-30°C to +70°C
Flammability Rating:	UL94V-0 (Cap = UL94HB)	UL94HB	UL94HB
Mouldings:	Nylon & Polycarbonate	Glass Filled Nylon	Glass Filled Nylon
Contacts:	Brass, Nickel Plated	Phosphor Bronze, Tin Plated	Phosphor Bronze, Tin Plated
Features:	Bayonet cap with coin slot Rear support bracket	Removable loading drawer	Removable loading drawer
Notes:	Recommend 2 & 3 cell versions are supported by rear bracket		
<b>RoHS</b>	Compliant	Compliant	Compliant
Dim A (depending on number of cells):	BX0016 = 83.0 BX0017 = 143.5 BX0018 = 204.0		

CR123 SIZE BATTERY HOLDER



BX0123

- 1 Cell
- PCB/Base Mount
- Open style

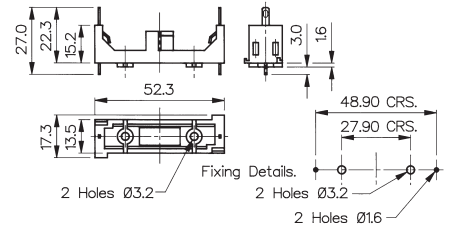


AAA SIZE BATTERY HOLDER

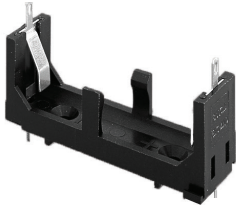


BX0034

- 1 Cell
- PCB/Base Mount
- Open style

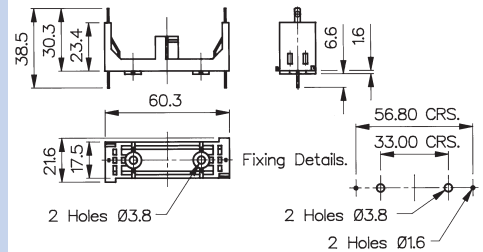


AA SIZE BATTERY HOLDER

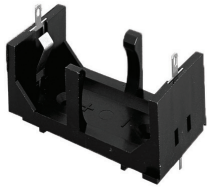
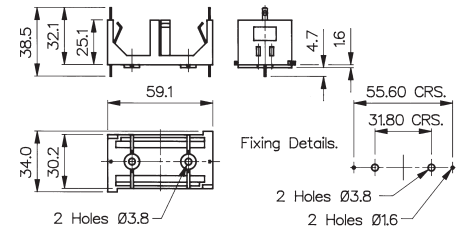

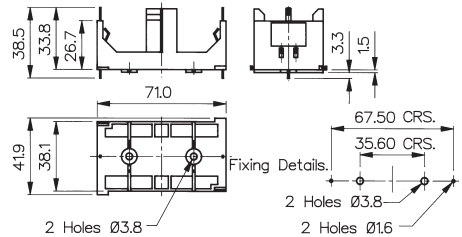

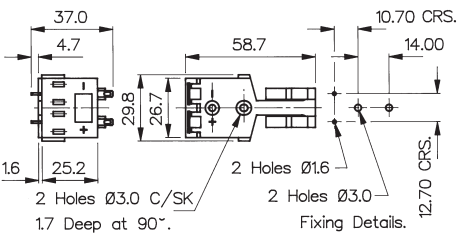


BX0035

- 1 Cell
- PCB/Base Mount
- Open style



Specification	BX0123	BX0034	BX0035
Battery/Cell Type:	CR123	AAA (R03)	AA (R6)
No. Cells:	1 cell	1 cell	1 cell
Terminations:	Dual connections, PCB spills & 2.8 series tabs/solder tags. (PCB spills may be removed if required)	Dual connections, PCB spills & 2.8 series tabs/solder tags. (PCB spills may be removed if required)	Dual connections, PCB spills & 2.8 series tabs/solder tags. (PCB spills may be removed if required)
Operating Temperature:	-30°C to +70°C	-30°C to +70°C	-30°C to +70°C
Flammability Rating:	UL94HB	UL94HB	UL94HB
Mouldings:	Glass Filled Nylon	Glass Filled Nylon	Nylon & Glass Filled Nylon
Contacts:	Nickel Silver, clean	Nickel Silver, clean	Nickel Silver, clean
Features:		Interlocking for multiple assemblies	Interlocking for multiple assemblies
<b>RoHS</b>	Compliant	Compliant	Compliant

<p>C SIZE BATTERY HOLDER</p>  <p style="text-align: right;">BX0036</p>	<ul style="list-style-type: none"> <li>○ 1 Cell</li> <li>○ PCB/Base Mount</li> <li>○ Open style</li> </ul>	
<p>D SIZE BATTERY HOLDER</p>  <p style="text-align: right;">BX0037</p>	<ul style="list-style-type: none"> <li>○ 1 Cell</li> <li>○ PCB/Base Mount</li> <li>○ Open style</li> </ul>	
<p>PP3 SIZE BATTERY HOLDER</p>  <p style="text-align: right;">BX0033</p>	<ul style="list-style-type: none"> <li>○ 1 Cell</li> <li>○ PCB/Base Mount</li> <li>○ Open style</li> </ul>	

Specification	BX0036	BX0037	BX0033
Battery/Cell Type:	C (R14)	D (R20)	PP3 (6R61)
No. Cells:	1 cell	1 cell	1 cell
Terminations:	Dual connections, PCB spills & 2.8 series tabs/solder tags. (PCB spills may be removed if required)	Dual connections, PCB spills & 2.8 series tabs/solder tags. (PCB spills may be removed if required)	Dual connections, PCB spills & 2.8 series tabs/solder tags. (PCB spills may be removed if required)
Operating Temperature:	-30°C to +70°C	-30°C to +70°C	-30°C to +70°C
Flammability Rating:	UL94HB	UL94HB	UL94V-2
Mouldings:	Glass Filled Nylon	Glass Filled Nylon	Nylon & Glass Filled Nylon
Contacts:	Nickel Silver, clean	Nickel Silver, clean	Nickel Silver, clean
Features:	Interlocking for multiple assemblies	Interlocking for multiple assemblies	
<b>RoHS</b>	Compliant	Compliant	Compliant