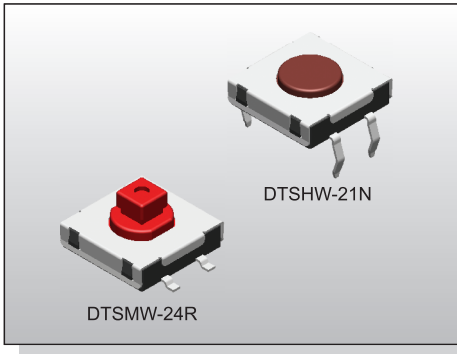


TACT SWITCH DTS()W-2 SERIES

12x12 SMT & Through Hole
Washable Type IP67



FEATURES

- ※ Sealed IP67
- ※ Through hole & SMT type
- ※ 1 million operating life cycle

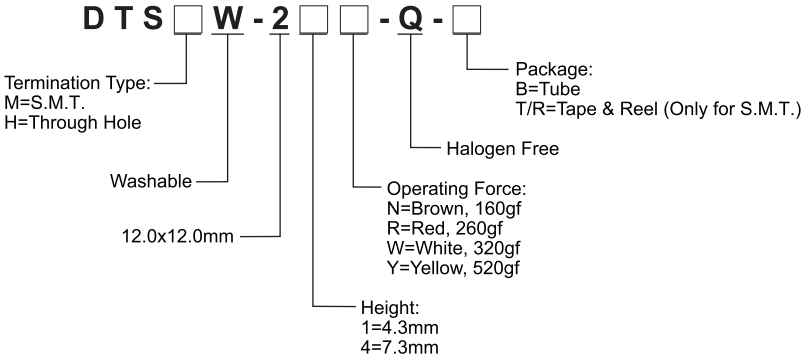
APPLICATION

- ※ Audio, OA equipment
- ※ Instrumentation
- ※ Industrial

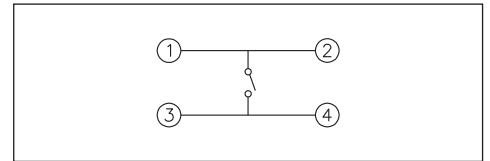
SPECIFICATION

Contact Rating	50mA, 24V DC
Contact Resistance	100mΩ max.
Insulation Resistance	100MΩ min. 250V DC
Dielectric Strength	250V AC/1 minute
Operating Force	160±50gf, Brown(N) 260±50gf, Red(R) 320±80gf, Salmon(S) 520±130gf, Yellow(Y)
Travel	0.4mm
Operating Life	300,000 cycles for 520/320gf 1,000,000 cycles for 260/160gf
Operating Temp.	-40°C ~ +85°C
Storage Temp.	-40°C ~ +85°C

HOW TO ORDER



CIRCUIT

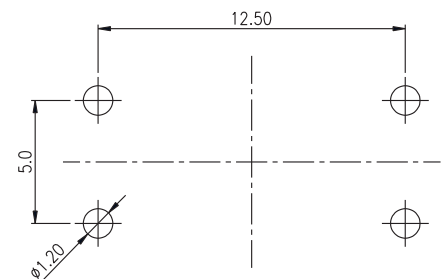
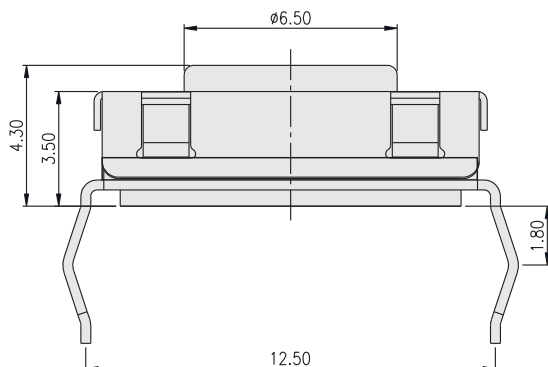
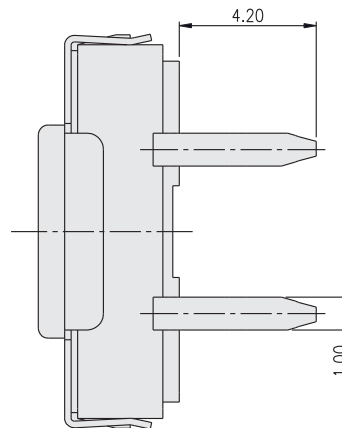
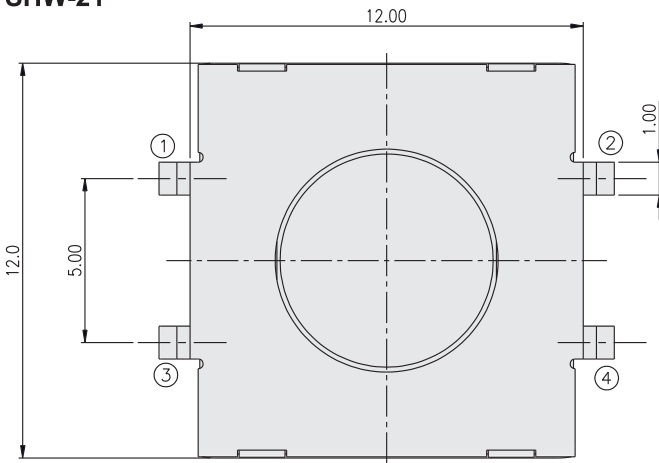


PACKAGE

<Tube>
39 pcs

<Tape & Reel>
DTSMW-21: 700 pcs
DTSMW-24: 500 pcs

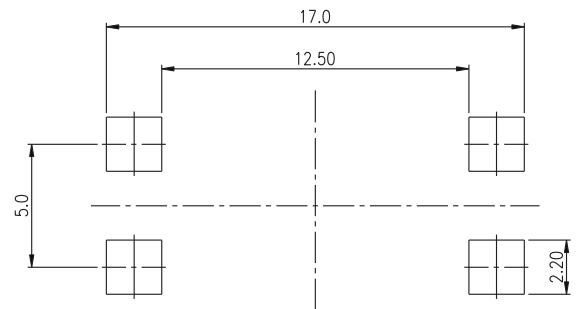
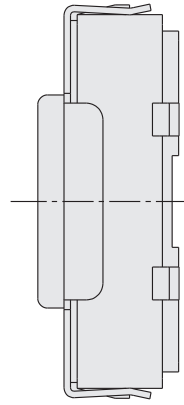
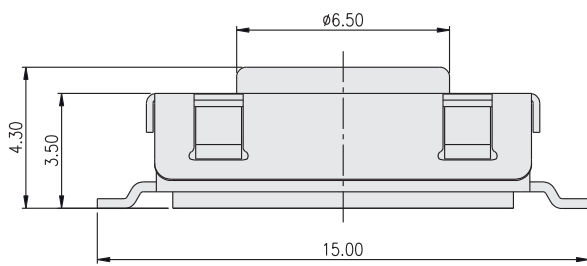
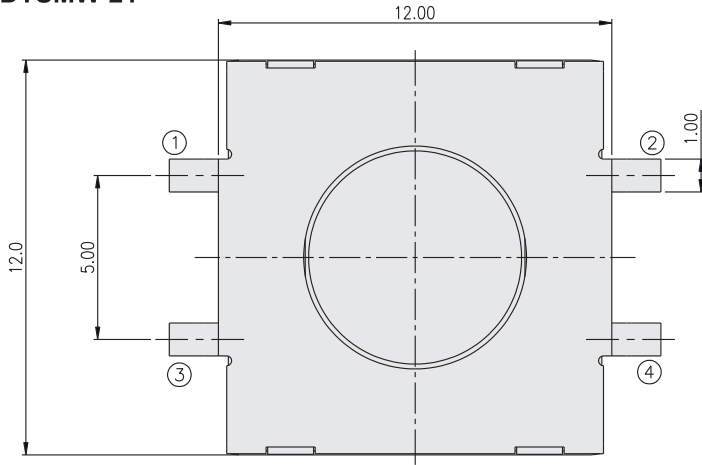
DTSHW-21



P.C.B. LAYOUT

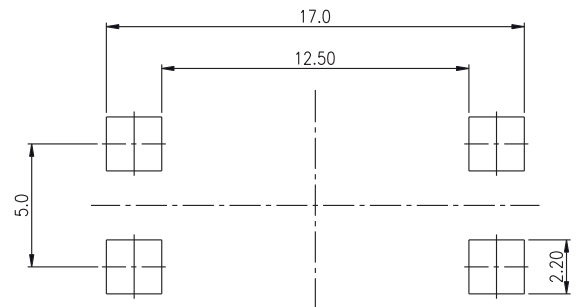
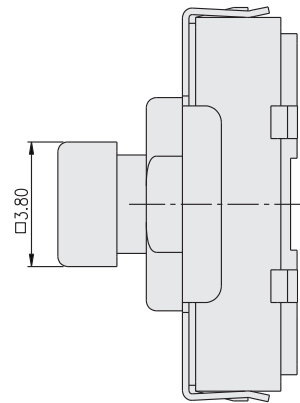
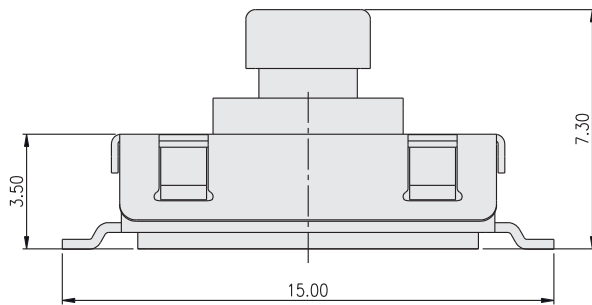
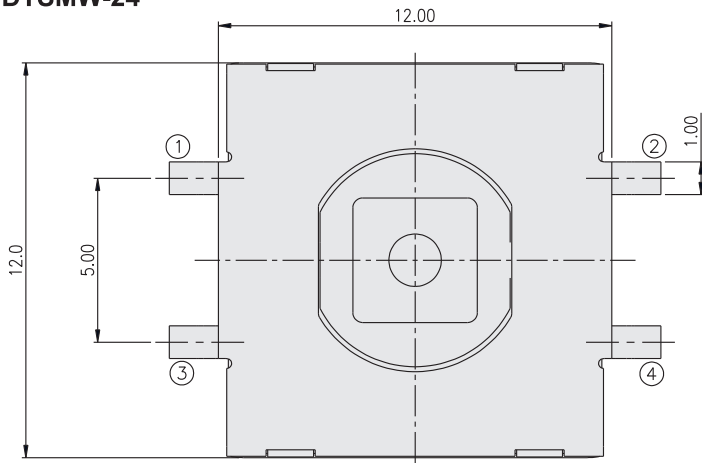
TACT SWITCH

DTSMW-21



P.C.B. LAYOUT

DTSMW-24



P.C.B. LAYOUT