

**FEATURES**

- ✘ High reliable metal contacts
- ✘ Vertical operation available
- ✘ Cap options

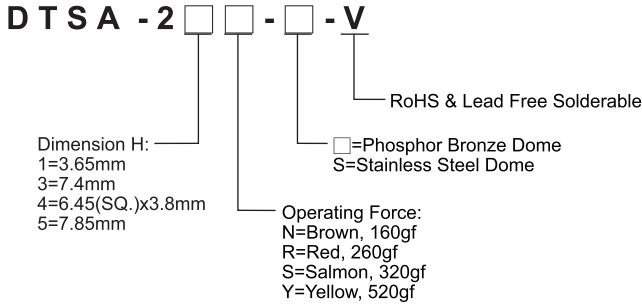
**APPLICATION**

- ✘ Audio, OA equipment
- ✘ Instrumentation
- ✘ Industrial

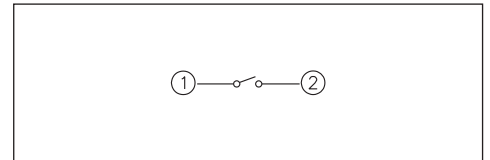
**SPECIFICATION**

|                       |  |
|-----------------------|--|
| Contact Rating        | 50mA, 12V DC   |
| Contact Resistance    | 100mΩ max.   |
| Insulation Resistance | 100MΩ min. 500V DC   |
| Dielectric Strength   | 250V AC/1 minute   |
| Operating Force       | 160±50gf, Brown(N)<br>260±50gf, Red(R)<br>320±80gf, Salmon(S)<br>520±130gf, Yellow(Y)  |
| Travel                | 0.35mm   |
| Operating Life        | Phosphor Bronze Dome<br>100,000 cycles for 520/320/260gf<br>200,000 cycles for 160gf<br>Stainless Steel Dome<br>300,000 cycles for 520/320gf<br>500,000 cycles for 260gf<br>1,000,000 cycles for 160gf |
| Operating Temp.       | -25°C ~ +70°C  |
| Storage Temp.         | -30°C ~ +80°C  |

**HOW TO ORDER**



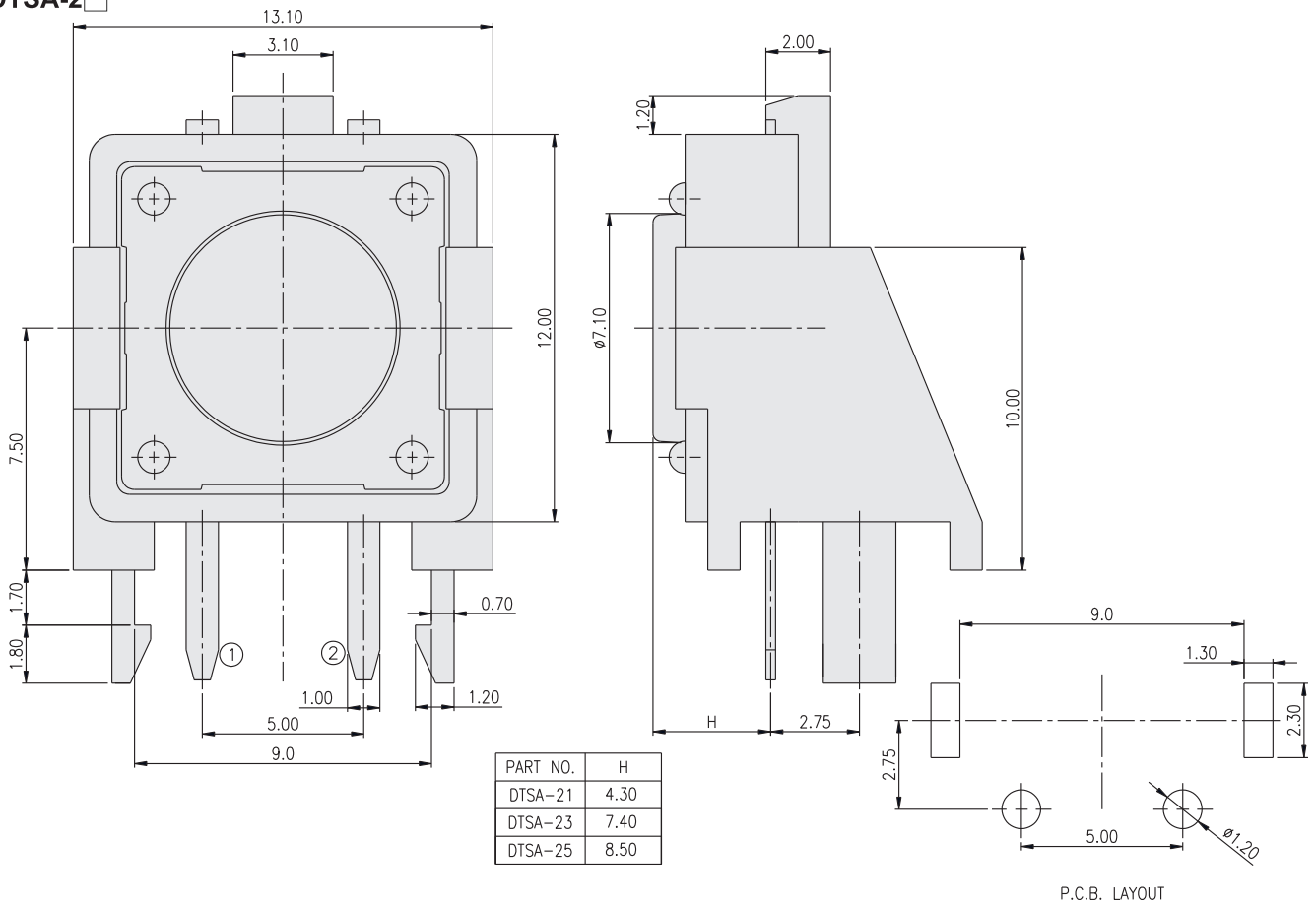
**CIRCUIT**



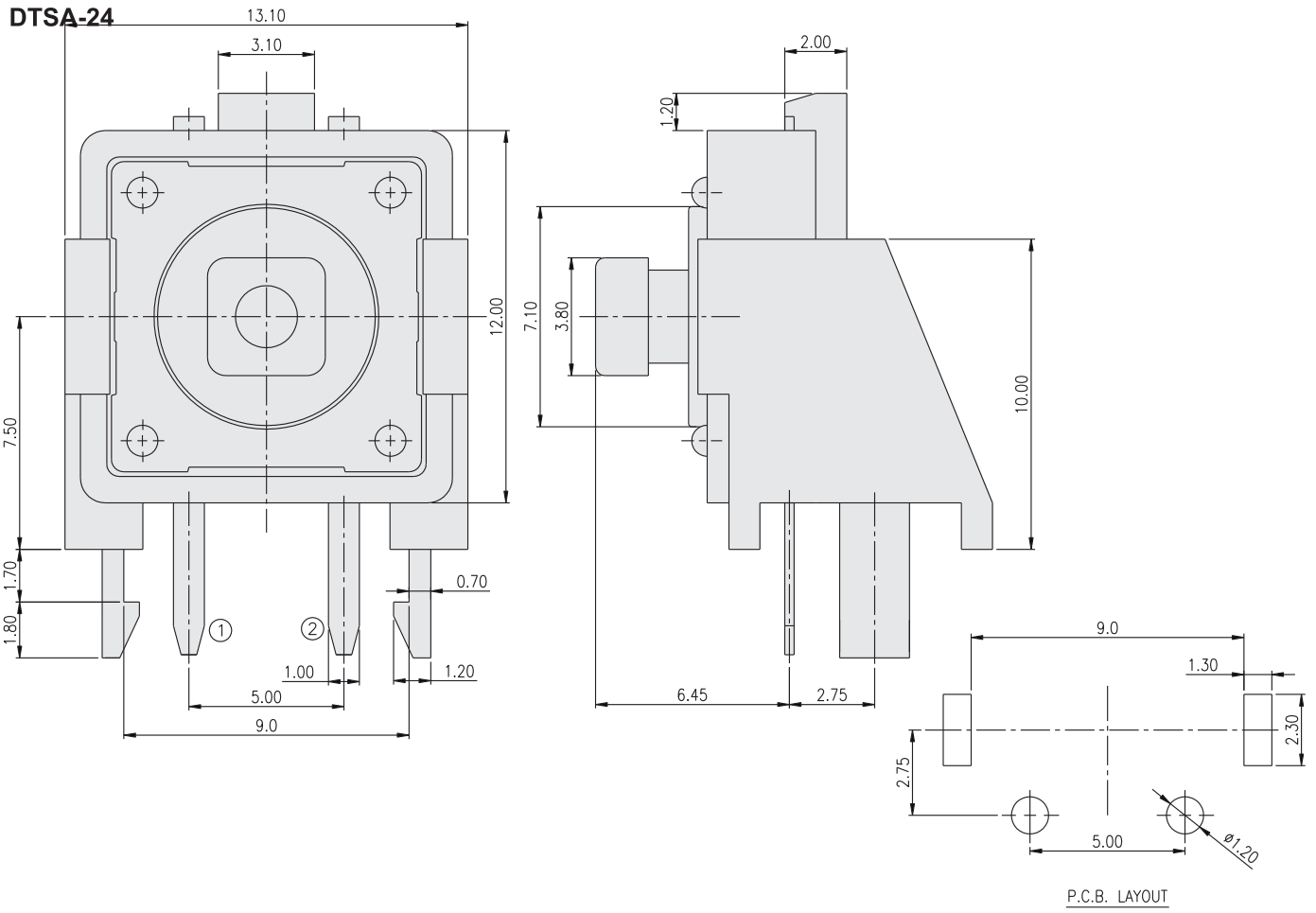
**PACKAGE**

<Bag>  
250 pcs

**DTSA-2**



TACT SWITCH



TACT SWITCH