

**FEATURES**

- ✘ Thinner type with 2.5-5.25mm height
- ✘ Ground terminal available
- ✘ Reflow solderable

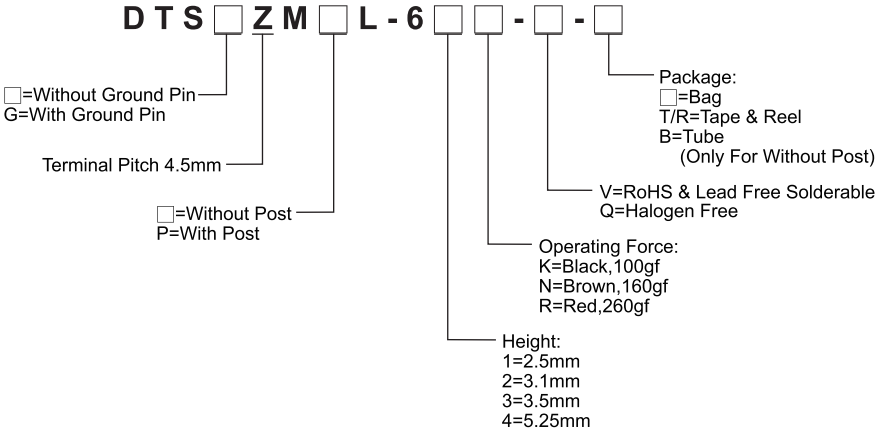
**APPLICATION**

- ✘ Audio, OA equipment
- ✘ Instrumentation
- ✘ Consumer electronics

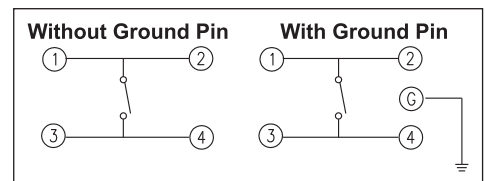
**SPECIFICATION**

Contact Rating	50mA, 12V DC
Contact Resistance	100mΩ max.
Insulation Resistance	100MΩ min. 500V DC
Dielectric Strength	250V AC/1 minute
Operating Force	100±50gf, Black(K) 160±50gf, Brown(N) 260±50gf, Red(R)
Travel	0.25mm
Operating Life	100,000 cycles for 260gf 1,000,000 cycles for 160, 100gf
Operating Temp.	-25°C ~ +70°C
Storage Temp.	-30°C ~ +80°C

**HOW TO ORDER**



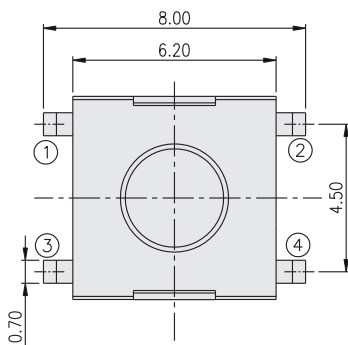
**CIRCUIT**



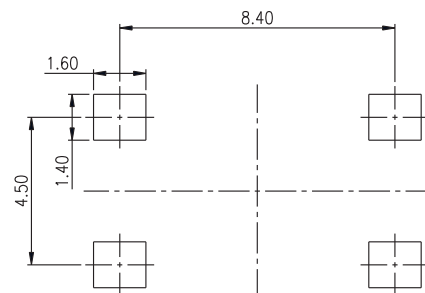
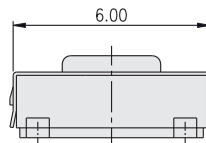
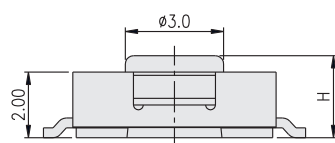
**PACKAGE**

- <Tube>  
75 pcs
- <Tape & Reel>  
DTS(G)ZM-61□-T/R: 2500 pcs  
DTS(G)ZM-62□-T/R: 2500 pcs  
DTS(G)ZMP-62: 1200 pcs  
DTS(G)ZM(P)-63: 1200 pcs  
DTS(G)ZML(P)-64: 900 pcs

**DTSZML-6**

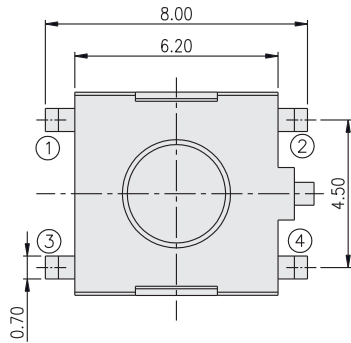


PART NO.	H
DTS□ZML-61	2.50
DTS□ZML-62	3.10
DTS□ZML-63	3.50
DTS□ZML-64	5.25

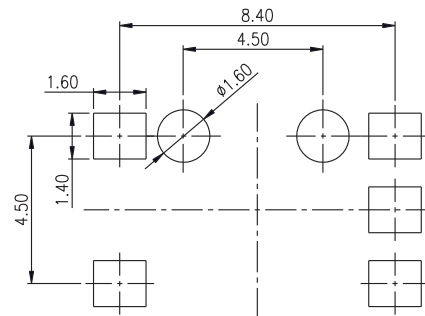
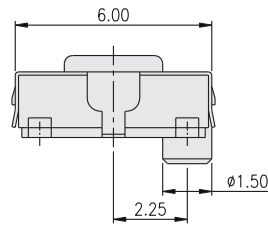
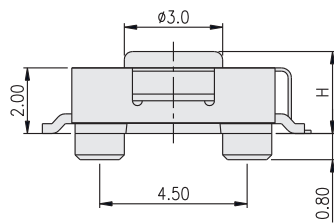


P.C.B. LAYOUT

DTSGZMPL-6



PART NO.	H
DTS□ZMPL-61	2.50
DTS□ZMPL-62	3.10
DTS□ZMPL-63	3.50
DTS□ZMPL-64	5.25



P.C.B. LAYOUT