



**FEATURES**

- ※ Soft actuation feeling
- ※ Long travel of 1.3mm
- ※ Wide stem for easy operation

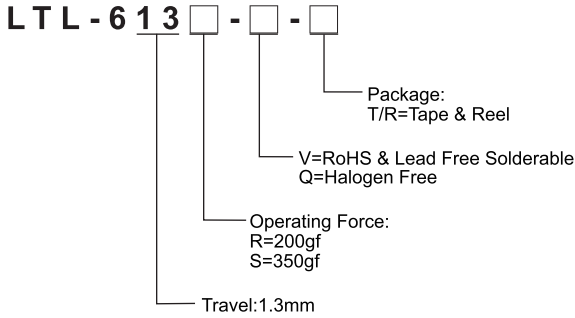
**APPLICATION**

- ※ Automotive
- ※ Instrumentation
- ※ Audio

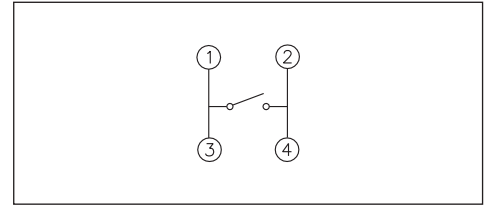
**SPECIFICATION**

Contact Rating	50mA, 12V DC
Contact Resistance	100mΩ max. 500V DC
Insulation Resistance	100MΩ min. 500V DC
Dielectric Strength	300V AC/1 minute
Operating Force	200±50gf/350±100gf
Travel	1.3mm
Operating Life	30,000 cycles (350gf) 100,000 cycles (200gf)
Operating Temp.	-40°C ~ +85°C
Storage Temp.	-40°C ~ +85°C

**HOW TO ORDER**



**CIRCUIT**

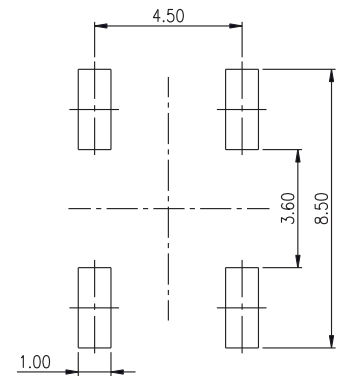
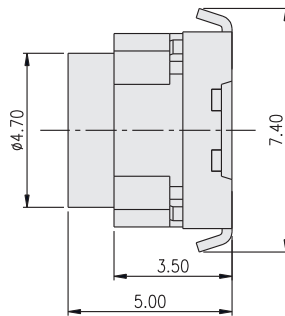
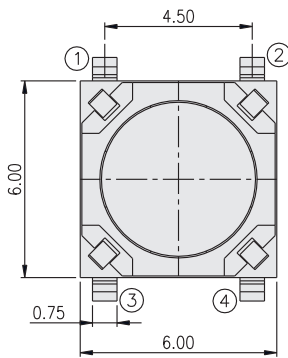


**PACKAGE**

<Tape & Reel>  
900 pcs

TACT SWITCH

**LTL-6**



P.C.B. LAYOUT