

FEATURES

- ✘ 1P3T model
- ✘ Single-side recoil type
- ✘ Reflow solderable

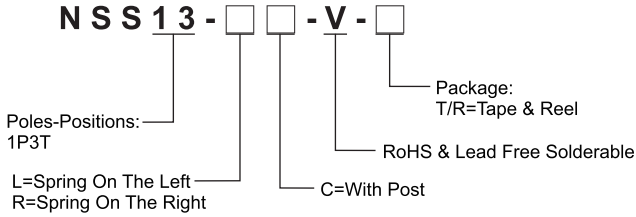
APPLICATION

- ✘ Remote control
- ✘ Consumer electronics
- ✘ Instrumentations

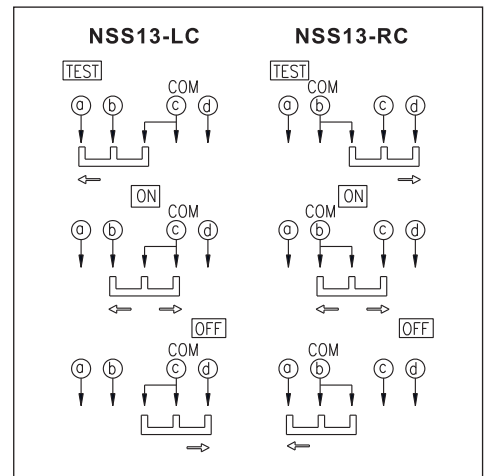
SPECIFICATION

Contact Rating	0.3A, 4V DC
Contact Resistance	100mΩ max.
Insulation Resistance	100MΩ min. 500V DC
Dielectric Strength	500V AC/1 minute
Operating Force	320±150gf (ON-TEST) 320±150gf (OFF-ON) 500+100/-200gf (ON-OFF)
Travel	2mm (ON-TEST) 4mm (OFF-ON) 4mm (ON-OFF)
Operating Life	10,000 cycles
Operating Temp.	-20°C ~ +70°C
Storage Temp.	-40°C ~ +85°C

HOW TO ORDER



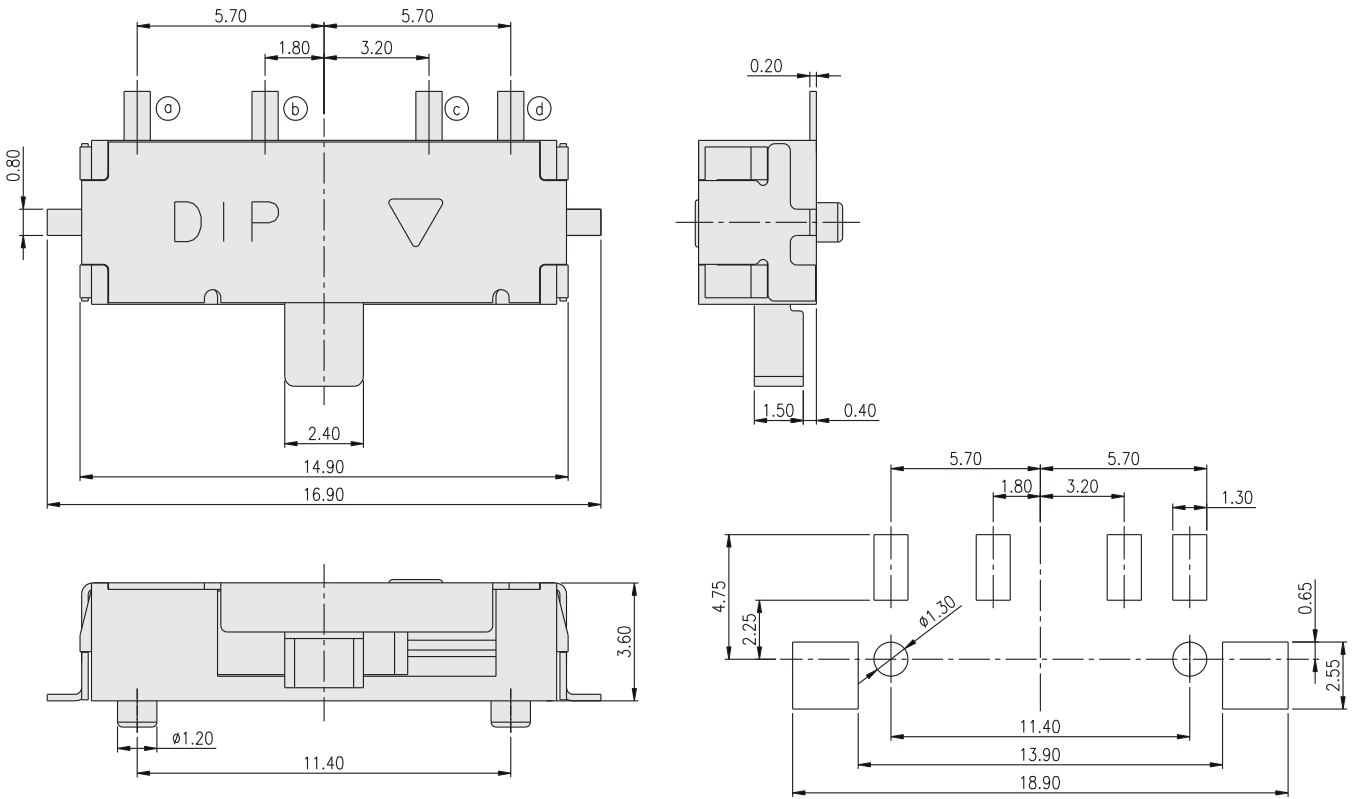
CIRCUIT



PACKAGE

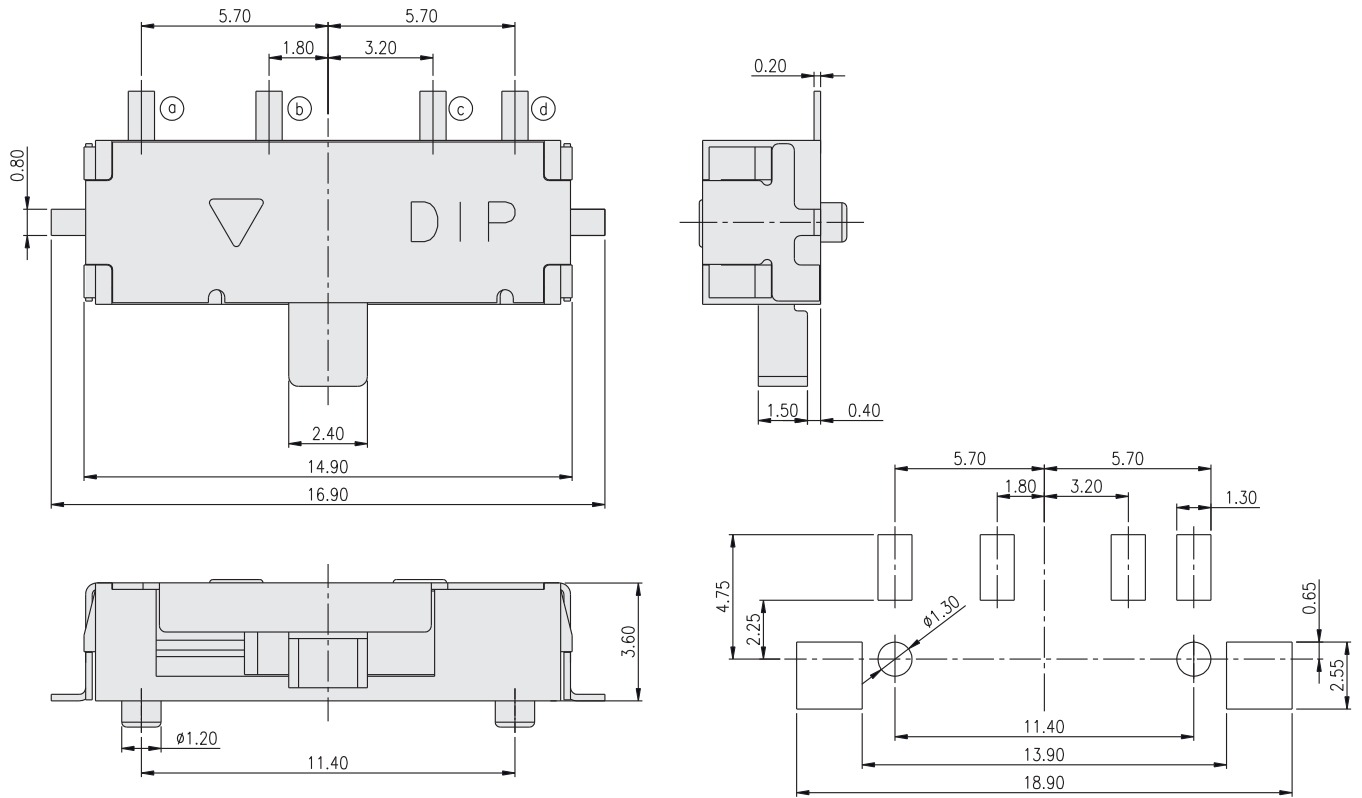
<Tape & Reel>
800 pcs

NSS13-LC



P.C.B. LAYOUT

NSS13-RC



P.C.B. LAYOUT