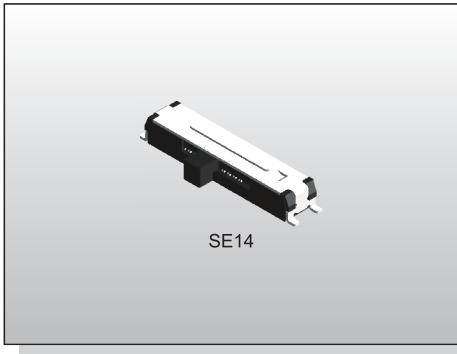


SLIDE SWITCH SE14 SERIES

Slide Type (1P4T)



SE14

FEATURES

- ※2.0mm height
- ※1P4T model
- ※Reflow solderable

APPLICATION

- ※Smart phone
- ※Consumer electronics
- ※Instrumentations

SPECIFICATION

Contact Rating	0.3A, 10V DC
Contact Resistance	100mΩ max.
Insulation Resistance	100MΩ min. 500V DC
Dielectric Strength	500V AC/1 minute
Operating Force	B→A 50~190gf(0.94~1.86N) B→C 50~190gf(0.94~1.86N) B→E 170~530gf (1.61~5.19N) E→B 50~250gf (0.94~2.54N)
Travel	B→A 1.5mm B→C 1.5mm B→E 3mm
Operating Life	10,000 cycles
Operating Temp.	-20°C ~ +80°C
Storage Temp.	-40°C ~ +85°C

HOW TO ORDER

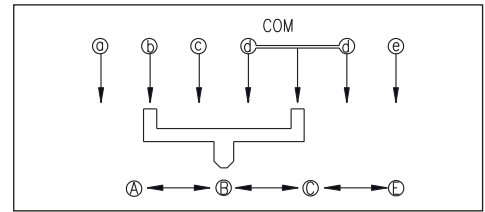
SE14-Q-

Package:
T/R=Tape & Reel

Halogen Free

Poles-Positions:
1P4T

CIRCUIT



PACKAGE

<Tape & Reel>
1800 pcs

SE14

