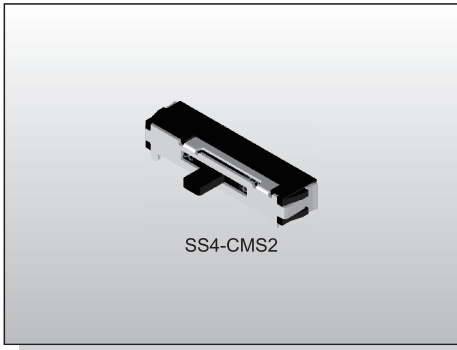


SLIDE SWITCH SS4 SERIES

Recoil & SMT Type (1P3T)



SS4-CMS2

FEATURES

- ✘ 2.0mm height
- ✘ 1P3T model
- ✘ Reflow solderable

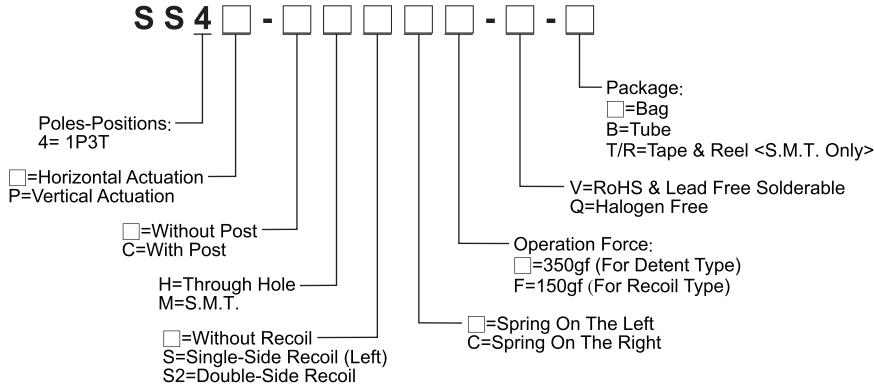
APPLICATION

- ✘ Remote control
- ✘ Consumer electronics
- ✘ Instrumentations

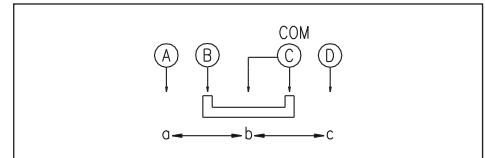
SPECIFICATION

Contact Rating	25mA, 24V DC
Contact Resistance	100mΩ max.
Insulation Resistance	100MΩ min. 500V DC
Dielectric Strength	500V AC/1 minute
Operating Force	100gf min./350gf max. (Detent Type) 150±100gf (Recoil Type)
Travel	2mm
Operating Life	10,000 cycles
Operating Temp.	-20°C ~ +70°C
Storage Temp.	-40°C ~ +85°C

HOW TO ORDER



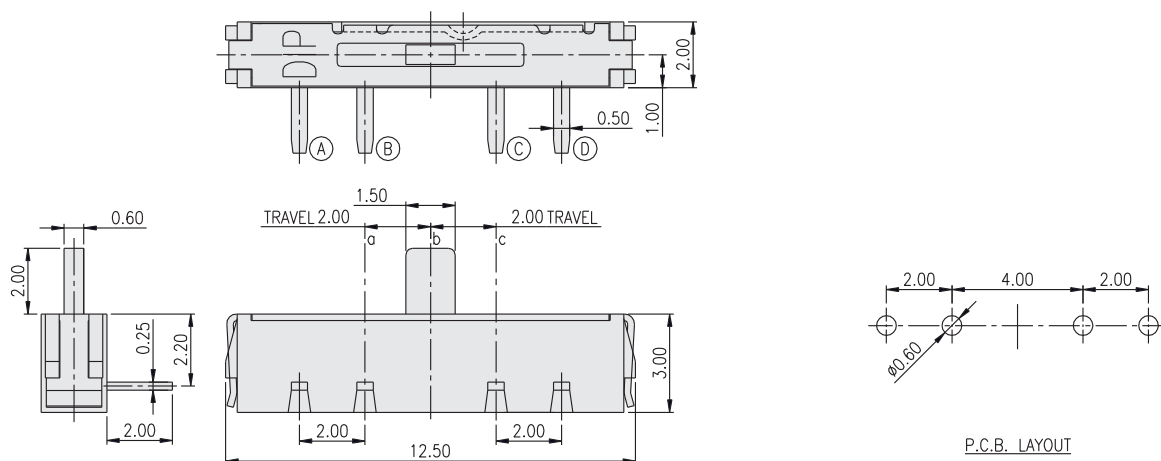
CIRCUIT



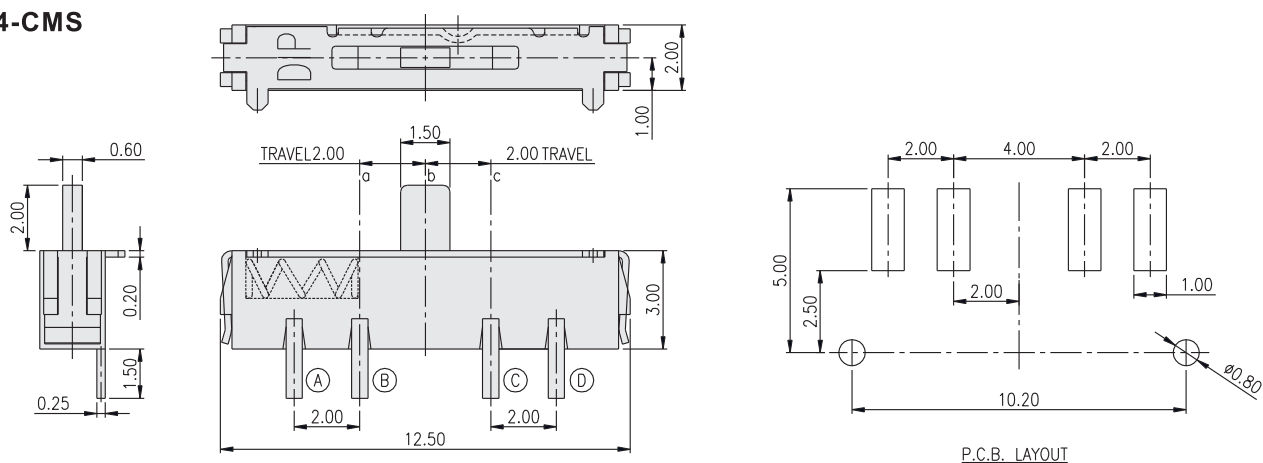
PACKAGE

- <Bag>
1500 pcs
- <Tube>
38 pcs
- <Tape & Reel>
1900 pcs

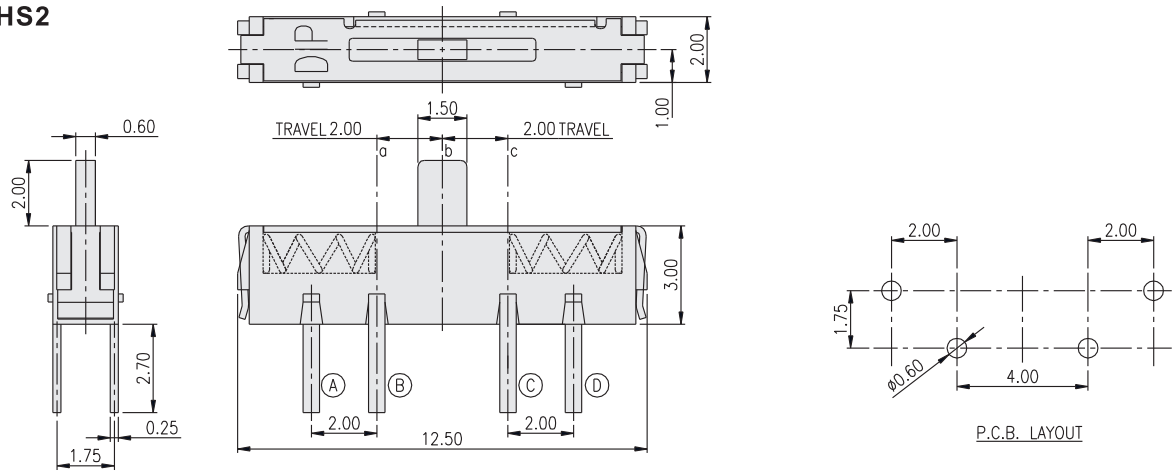
SS4-H



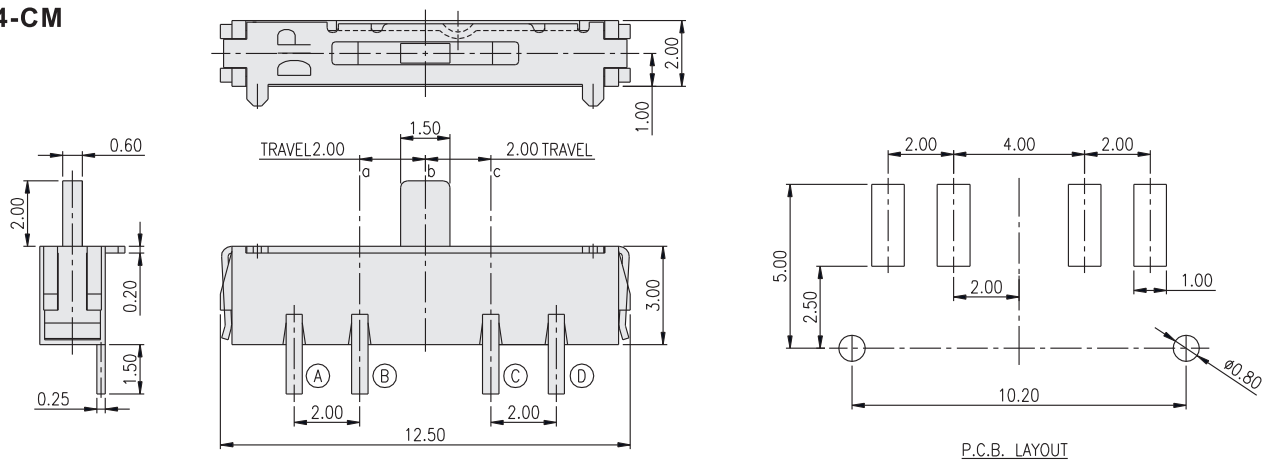
SS4-CMS



SS4P-HS2



SS4-CM



SLIDE SWITCH