

FEATURES

- ✘ 2.0mm height
- ✘ 1P2T model
- ✘ Stroke 2.7mm

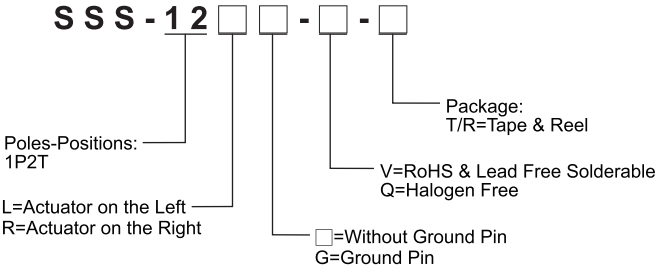
APPLICATION

- ✘ Remote control
- ✘ Consumer electronics
- ✘ Instrumentations

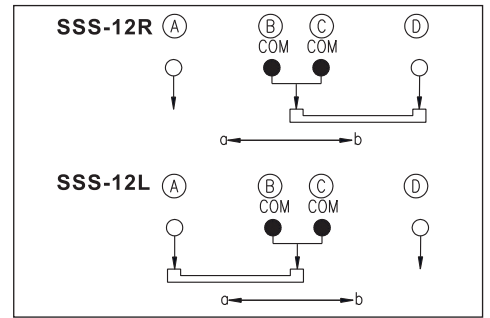
SPECIFICATION

Contact Rating	0.3A, 4V DC
Contact Resistance	70mΩ max.
Insulation Resistance	100MΩ min. 100V DC
Dielectric Strength	100V AC/1 minute
Operating Force	180±70gf
Travel	2.7mm
Operating Life	10,000 cycles
Operating Temp.	-10°C ~ +60°C
Storage Temp.	-20°C ~ +75°C

HOW TO ORDER



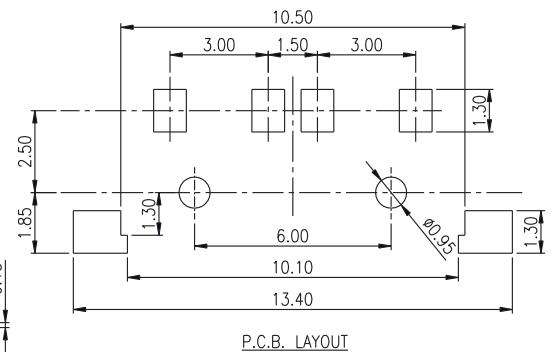
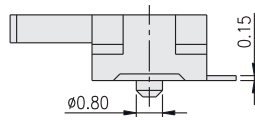
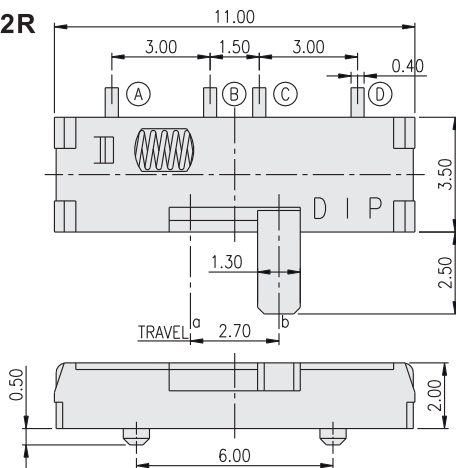
CIRCUIT



PACKAGE

<Tape & Reel>
2000 pcs

SSS-12R



SSS-12LG

