

T3BL-03

**FEATURES**

- ※ Compact-sized 3.7x3.7mm
- ※ Low profile of 0.35mm height
- ※ 500,000 life cycles operating

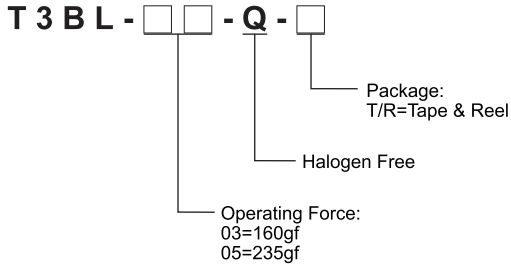
**APPLICATION**

- ※ Smart phone
- ※ Digital camera, Medical
- ※ Portable electronic device

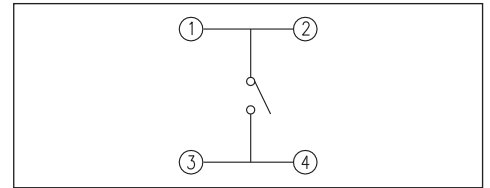
**SPECIFICATION**

Contact Rating	50mA, 12V DC
Contact Resistance	100mΩ max.
Insulation Resistance	100MΩ min. 100V DC
Dielectric Strength	100V AC/1 minute
Operating Force	160±50gf/235±60gf
Travel	0.15mm
Operating Life	50,000 cycles for 235gf 500,000 cycles for 160gf
Operating Temp.	-40°C ~ +85°C
Storage Temp.	-40°C ~ +85°C

**HOW TO ORDER**



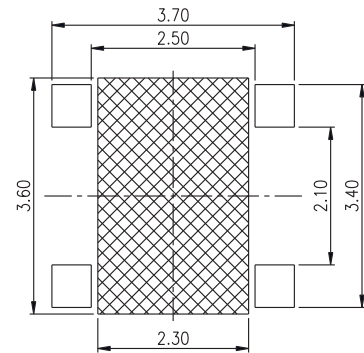
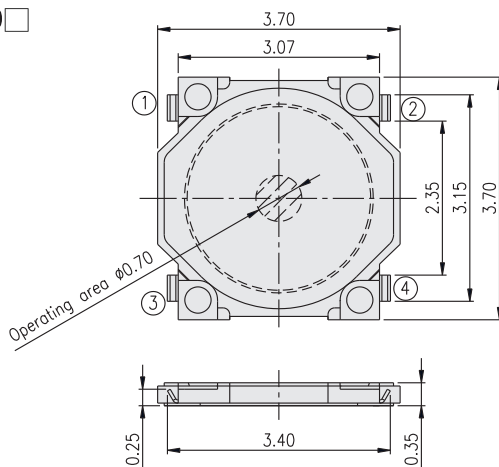
**CIRCUIT**



**PACKAGE**

<Tape & Reel>  
 8000 pcs

**T3BL-0** □



Any land pattern or vias shall not be provided at 2.30x3.60 area.

P.C.B. LAYOUT