

T4BJA

FEATURES

- ✘ Compact-sized 4.8x4.8mm
- ✘ Low profile of 0.55mm height
- ✘ Long operating life

APPLICATION

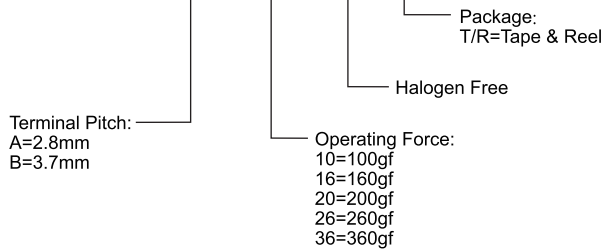
- ✘ Smart phone
- ✘ Digital camera, Medical
- ✘ Portable electronic device

SPECIFICATION

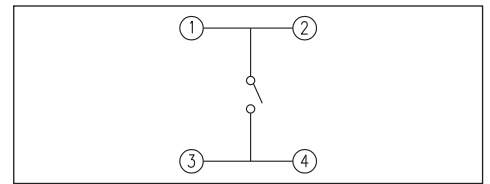
Contact Rating	50mA, 12V DC
Contact Resistance	100mΩ max.
Insulation Resistance	100MΩ min. 100V DC
Dielectric Strength	100V AC/1 minute
Operating Force	100±50gf/160±50gf/200±50gf 260±50gf/360±60gf
Travel	0.2mm
Operating Life	200,000 cycles for 360gf 500,000 cycles for 260/200gf 1,000,000 cycles for 160/100gf
Operating Temp.	-30°C ~ +80°C
Storage Temp.	-40°C ~ +85°C

HOW TO ORDER

T 4 B J - [] - [] - []



CIRCUIT

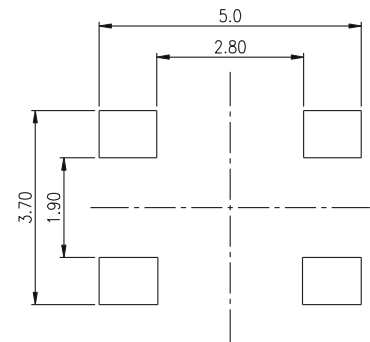
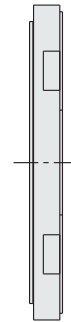
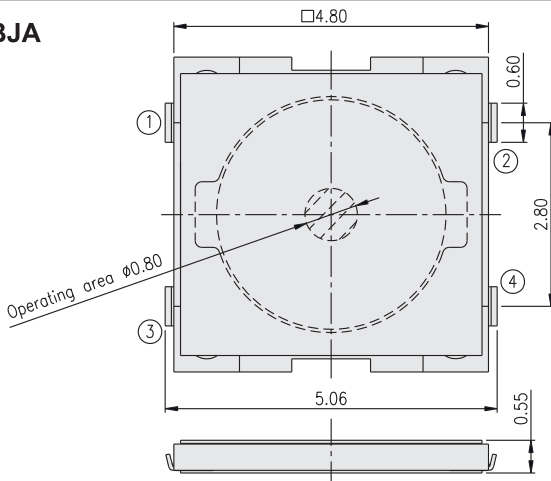


PACKAGE

<Tape & Reel>
8000 pcs

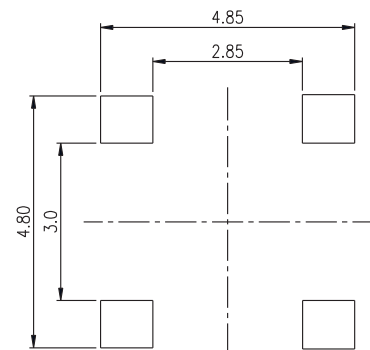
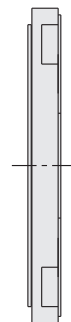
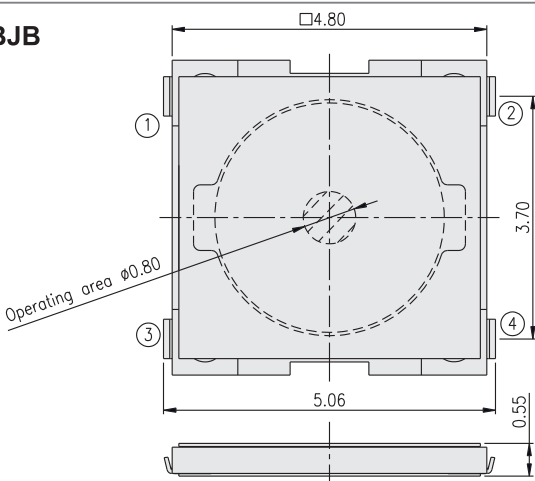
TACT SWITCH

T4BJA



P.C.B. LAYOUT

T4BJB



P.C.B. LAYOUT