

**FEATURES**

- ✘ Right angle (SMT type)
- ✘ Support terminal available
- ✘ Reflow solderable

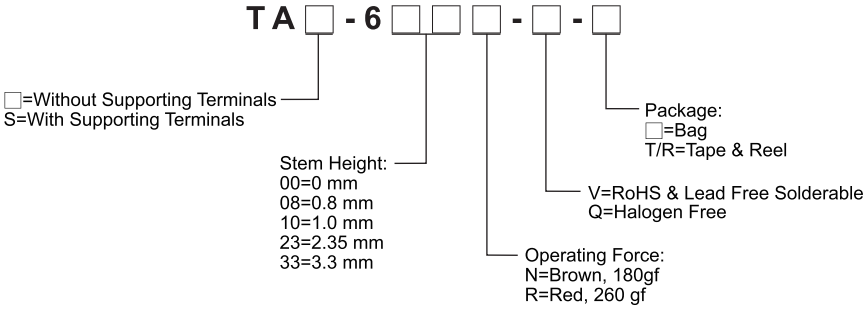
**APPLICATION**

- ✘ Audio, OA equipment
- ✘ Instrumentation
- ✘ Hair dryers

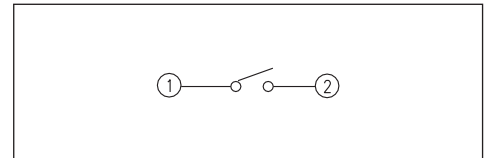
**SPECIFICATION**

Contact Rating	50mA, 12V DC
Contact Resistance	100mΩ max.
Insulation Resistance	100MΩ min. 500V DC
Dielectric Strength	250V AC/1 minute
Operating Force	180±50gf, Brown(N) 260±70gf, Red(R)
Travel	0.45mm
Operating Life	500, 000 cycles
Operating Temp.	-25°C ~ +70°C
Storage Temp.	-30°C ~ +80°C

**HOW TO ORDER**



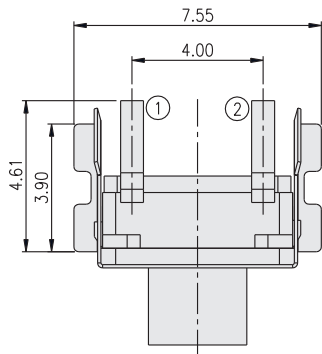
**CIRCUIT**



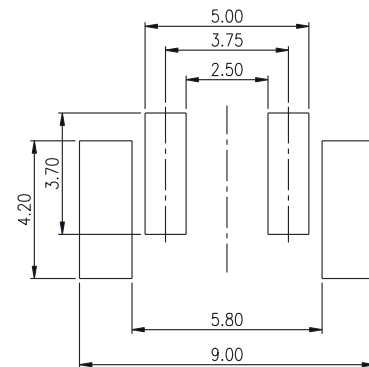
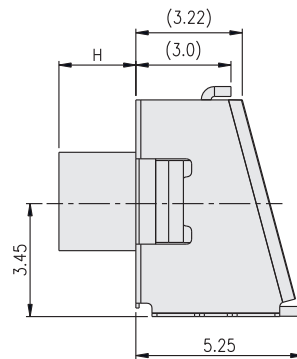
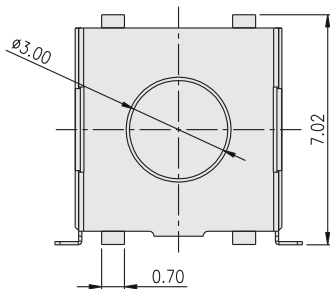
**PACKAGE**

- <Bag>  
500 pcs
- <Tape & Reel>  
TA(S)-600-T/R: 700 pcs  
TA(S)-608-T/R: 700 pcs  
TA(S)-610-T/R: 700 pcs  
TA(S)-623-T/R: 700 pcs  
TA(S)-633-T/R: 500 pcs

**TA-6**

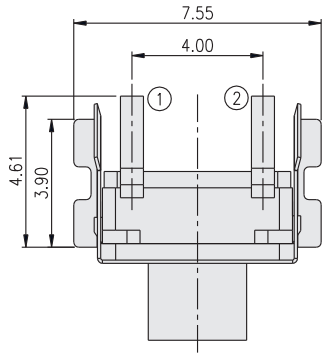


PART NO.	H
TA-600	0
TA-608	0.80
TA-610	1.00
TA-623	2.35
TA-633	3.30

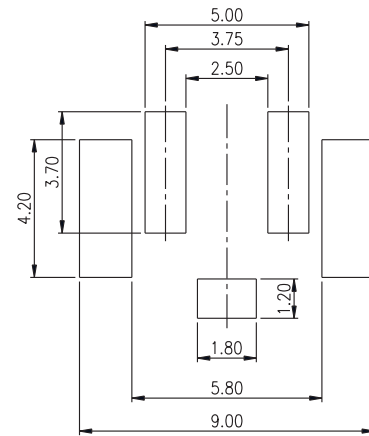
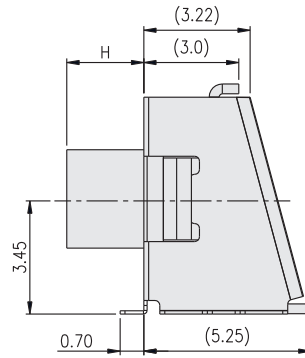
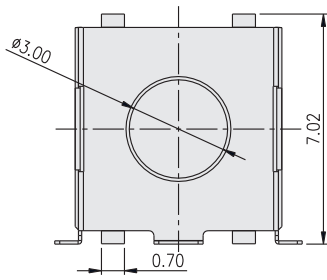


P.C.B. LAYOUT

TAS-6



PART NO.	H
TAS-600	0
TAS-608	0.80
TAS-610	1.00
TAS-623	2.35
TAS-633	3.30



P.C.B. LAYOUT