

FEATURES

- ✘ Sealed type IP57
- ✘ Extended bracket available
- ✘ Easy to pick & place with top tab

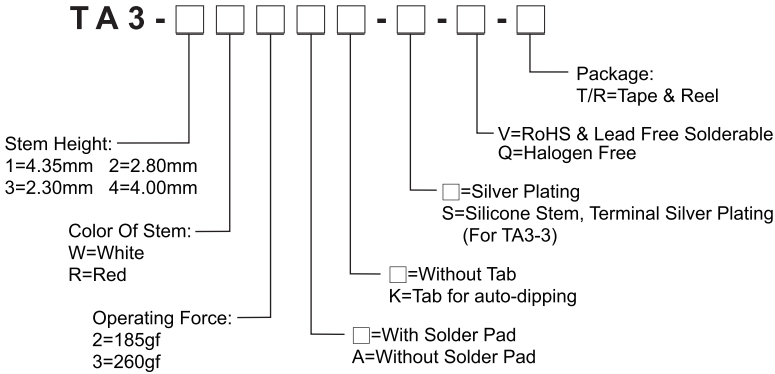
APPLICATION

- ✘ Data storage, Server
- ✘ Instrumentation
- ✘ Audio, OA equipment

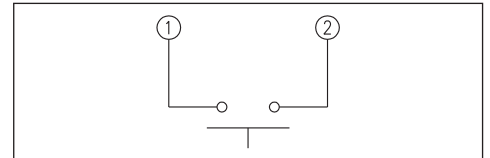
SPECIFICATION

Contact Rating	50mA, 12V DC
Contact Resistance	100mΩ max.
Insulation Resistance	10MΩ min. 500V DC
Dielectric Strength	250V AC/1 minute
Operating Force	185±50gf, 260±50gf
Travel	0.15mm
Operating Life	200, 000 cycles
Operating Temp.	-25°C ~ +70°C
Storage Temp.	-30°C ~ +80°C

HOW TO ORDER



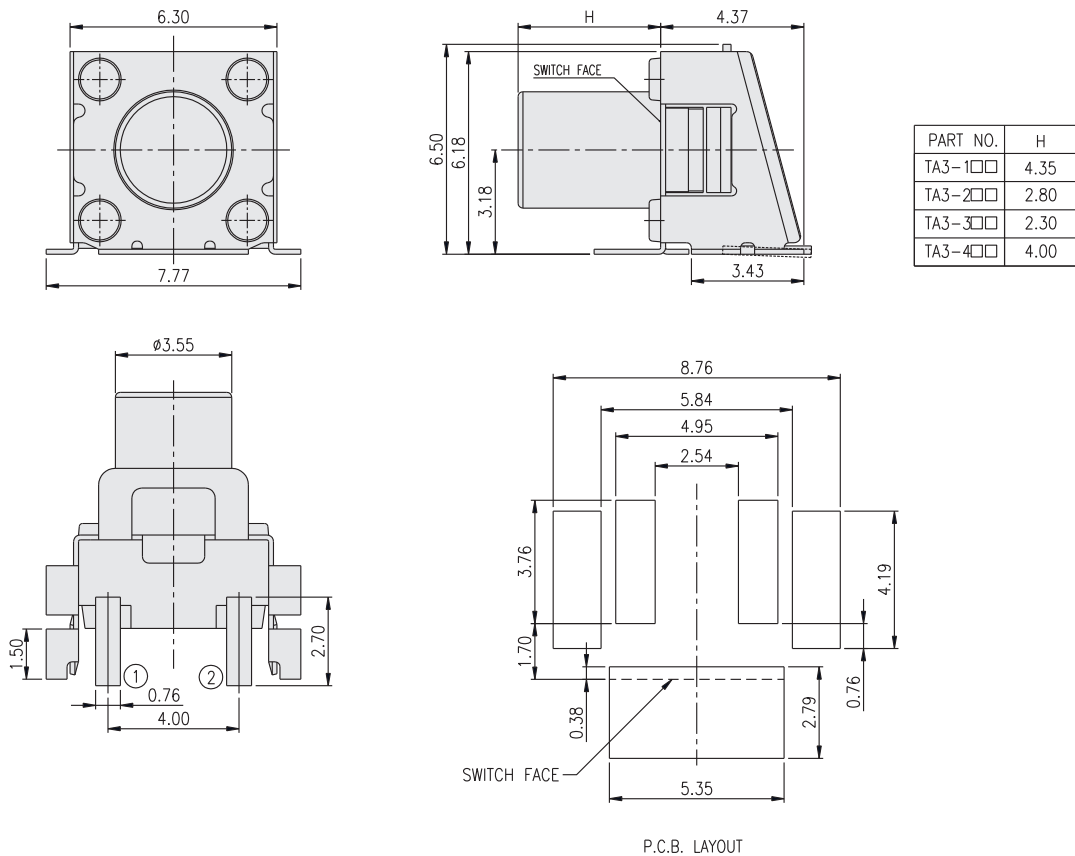
CIRCUIT



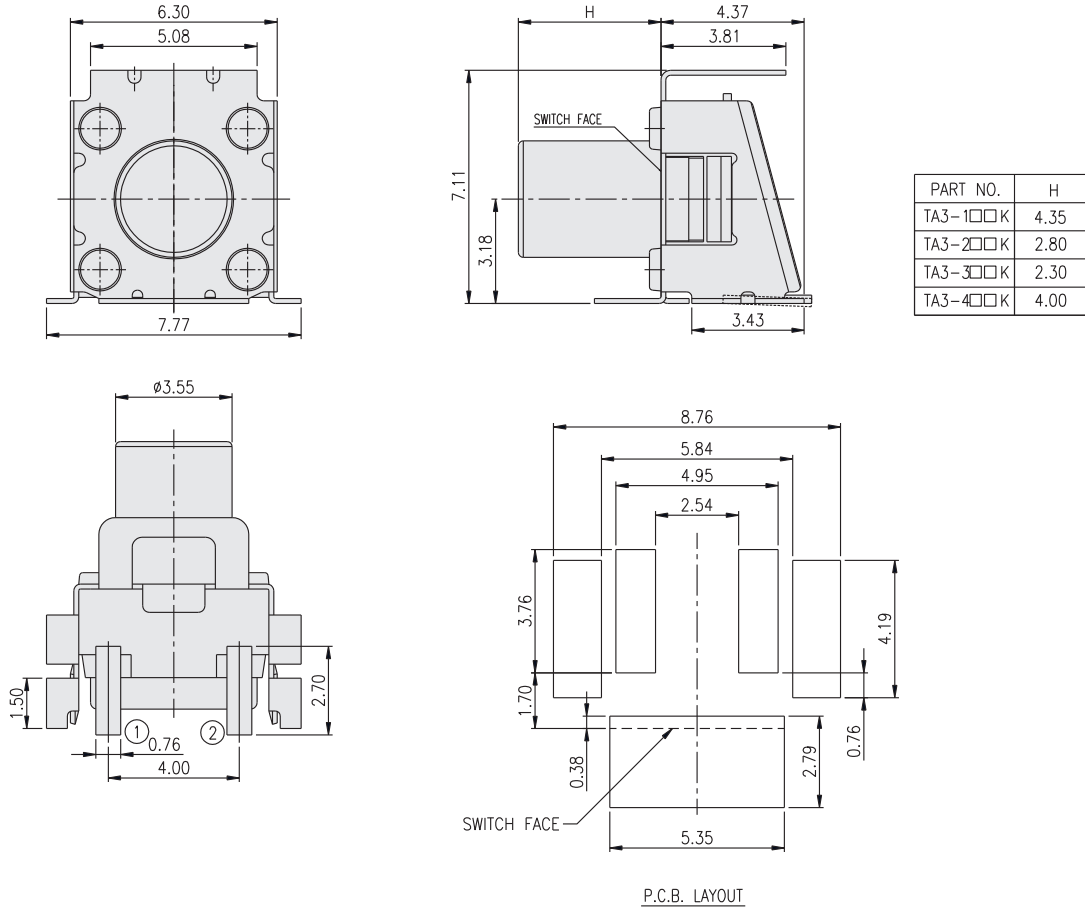
PACKAGE

<Tape & Reel>
 TA3-1, TA3-2, TA3-3, TA3-4: 600 pcs
 TA3-1[]K, TA3-2[]K: 550 pcs
 TA3-3[]K, TA3-4[]K: 550 pcs

TA3-[] []



TA3-□□K



TA3-□□A

