

FEATURES

- ✘ Support automatic insertion
- ✘ Side actuation
- ✘ Dust proof structure

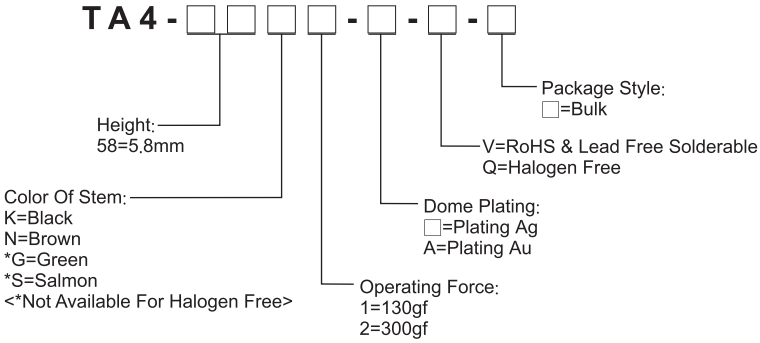
APPLICATION

- ✘ Automotive
- ✘ Industrial
- ✘ Instrumentation

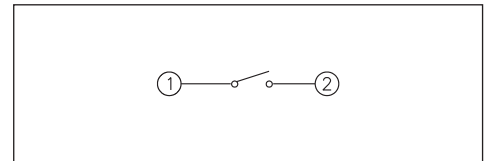
SPECIFICATION

Contact Rating	50mA, 50V DC
Contact Resistance	100mΩ max.
Insulation Resistance	100MΩ min. 100V DC
Dielectric Strength	250V AC/1 minute
Operating Force	130±50gf / 160±50gf 300±90gf / 500±100gf
Travel	0.5mm
Operating Life	200,000 cycles for 500gf 500,000 cycles for 300gf 1,000,000 cycles for 160/130gf
Operating Temp.	-40°C ~ +90°C
Storage Temp.	-40°C ~ +90°C

HOW TO ORDER



CIRCUIT



PACKAGE

<Bag>
500 pcs

TACT SWITCH

TA4-58

