

FEATURES

- ※ Miniature 3.3x4.5mm side push type
- ※ High solder strength
- ※ Sharp click feeling

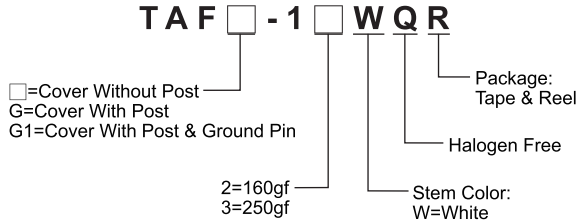
APPLICATION

- ※ Smart phone
- ※ Tablet
- ※ Portable personal audio

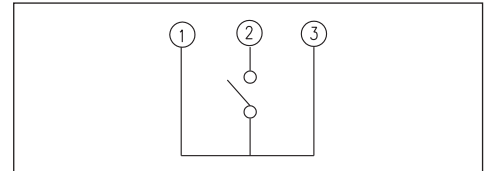
SPECIFICATION

Contact Rating	50mA, 12V DC
Contact Resistance	500mΩ max.
Insulation Resistance	100MΩ min. 100V DC
Dielectric Strength	250V AC/1 minute
Operating Force	160±50gf/250±50gf
Travel	0.2mm
Operating Life	100,000 cycles
Operating Temp.	-40°C ~ +85°C
Storage Temp.	-40°C ~ +85°C

HOW TO ORDER



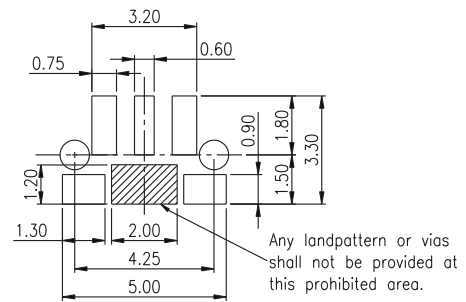
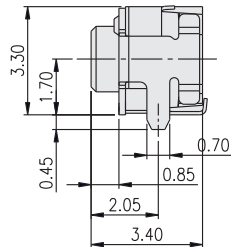
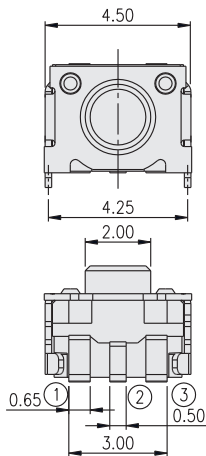
CIRCUIT



PACKAGE

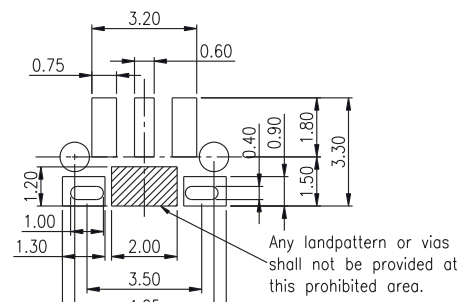
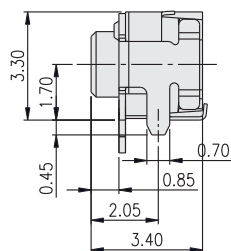
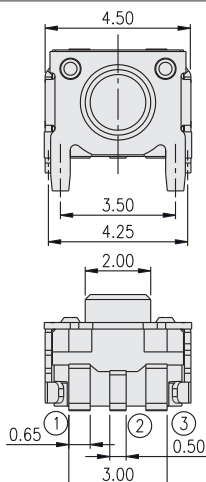
<Tape & Reel>
TAF(G): 2000 pcs
TAFG1: 1800 pcs

TAFG



P.C.B. LAYOUT

TAFG1



P.C.B. LAYOUT