

**FEATURES**

- ✘ Miniature 2.9x3.5mm
- ✘ Vertical or side actuation
- ✘ Long operating life

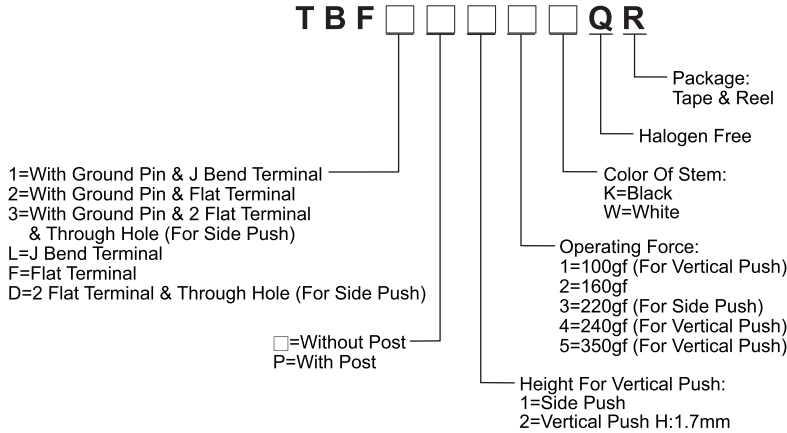
**APPLICATION**

- ✘ Mobile phone
- ✘ Consumer electronics
- ✘ Automotive

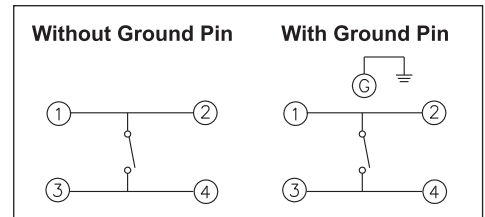
**SPECIFICATION**

Contact Rating	10μA, 2V DC to 20mA, 15V DC
Contact Resistance	100mΩ max.
Insulation Resistance	100MΩ min. 100V DC
Dielectric Strength	250V AC/1 minute
Operating Force	100±50/160±50/240±80/350±100gf (Vertical Push) 160+70/-40, 220+80/-70gf (Side Push)
Travel	0.15mm (Vertical Push) 0.20mm (Side Push)
Operating Life	100,000 cycles for Side Push 200,000 cycles for 160/240/350gf (Vertical Push) 1,000,000 cycles for 100gf (Vertical Push)
Operating Temp.	-40°C ~ +85°C
Storage Temp.	-40°C ~ +85°C

**HOW TO ORDER**



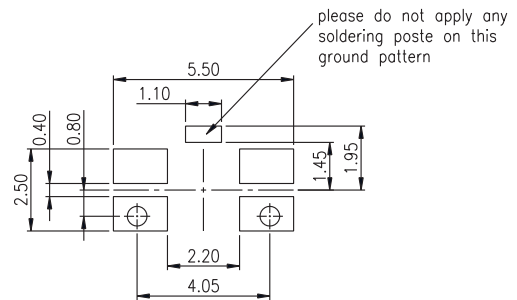
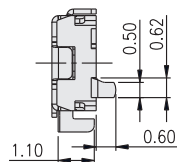
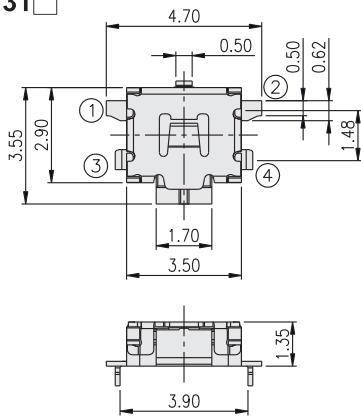
**CIRCUIT**



**PACKAGE**

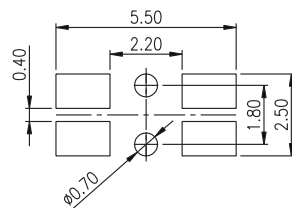
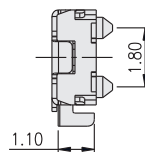
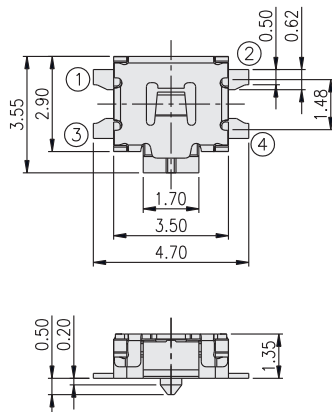
<Tape & Reel>  
3000 pcs

**TBF31** □



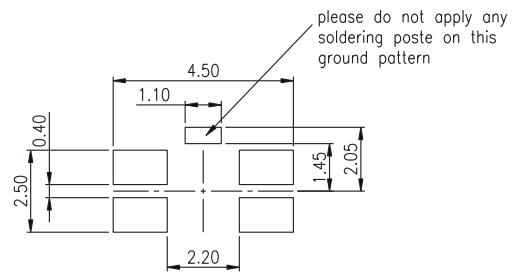
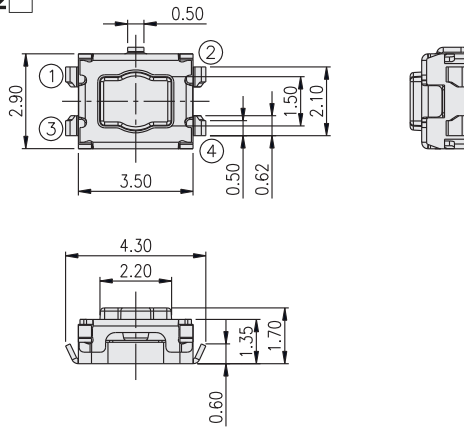
P.C.B. LAYOUT

**TBFFP1** □



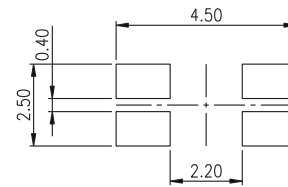
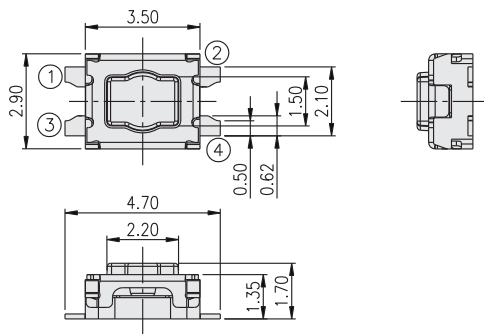
P.C.B. LAYOUT

**TBF12** □



P.C.B. LAYOUT

**TBFF2** □



P.C.B. LAYOUT