

FEATURES

- ✘ Compact-sized 4.4x4.4mm
- ✘ Low profile of 0.55/1.05mm height
- ✘ Long operating life

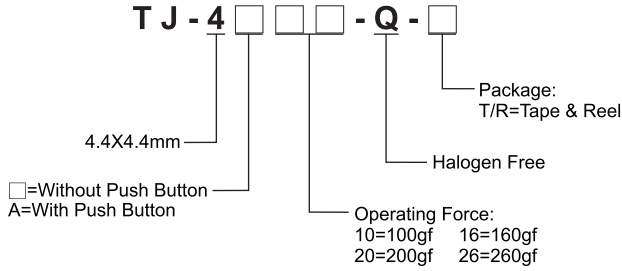
APPLICATION

- ✘ Smart phone
- ✘ Digital camera, Medical
- ✘ Portable electronic device

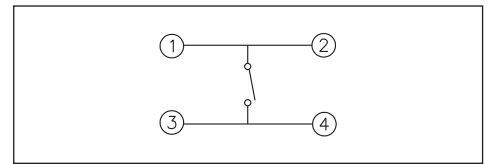
SPECIFICATION

Contact Rating	50mA, 12V DC
Contact Resistance	100mΩ max.
Insulation Resistance	100MΩ min. 500V DC
Dielectric Strength	300V AC/1 minute
Operating Force	100±50gf/160±50gf/200±50gf 260±50gf
Travel	0.2mm
Operating Life	500,000 cycles for 260/200gf 1,000,000 cycles for 160/100gf
Operating Temp.	-20°C ~ +70°C
Storage Temp.	-30°C ~ +80°C

HOW TO ORDER



CIRCUIT

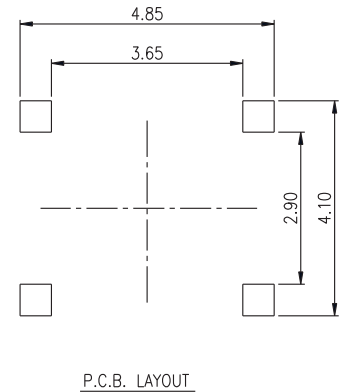
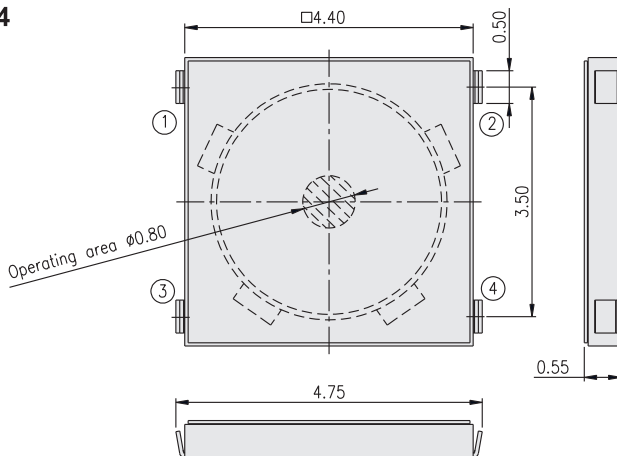


PACKAGE

<Tape & Reel>
 TJ-4: 8000 pcs
 TJ-4A: 5000 pcs

TACT SWITCH

TJ-4



TJ-4A

