

FEATURES

- ※ Sealed IP67
- ※ Long life of 10million
- ※ Variety of actuator lengths

APPLICATION

- ※ Music instrument
- ※ Intercom system
- ※ Industrial

SPECIFICATION

Contact Rating	0.5~50mA, 24V DC
Contact Resistance	30mΩ max.
Insulation Resistance	10MΩ min. 100V DC
Dielectric Strength	250V AC/1 minute
Operating Force	300±75gf
Travel	1mm
Operating Life	10,000, 000 cycles
Operating Temp.	-40°C ~ +160°C
Storage Temp.	-40°C ~ +160°C

HOW TO ORDER

T L □ - □ □ □ **4** □ - **Q** - □

Solder Type:
 □=Through Hole
 M=S.M.T.
 A=Right Angle

Cover Type:
 A=Low
 B=Height(Without TLA Type)

Layer of Button:
 1=1 Layer(6.4mm Only)
 2=2 Layer(Without TL□-B Type)

Package:
 B=Tube
 (For Through Hole & Right Angle Type)
 T/R=Tape & Reel(For S.M.T. Type)

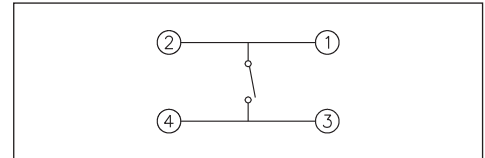
Halogen Free

Button Color:
 W=White K=Black

Operating Force:
 4=300gf

Total Height:
 1 Layer:1=6.4mm
 2 Layer:2=8.0mm 3=9.5mm 4=10.4mm
 5=11.0mm 6=12.0mm 7=15.0mm

CIRCUIT

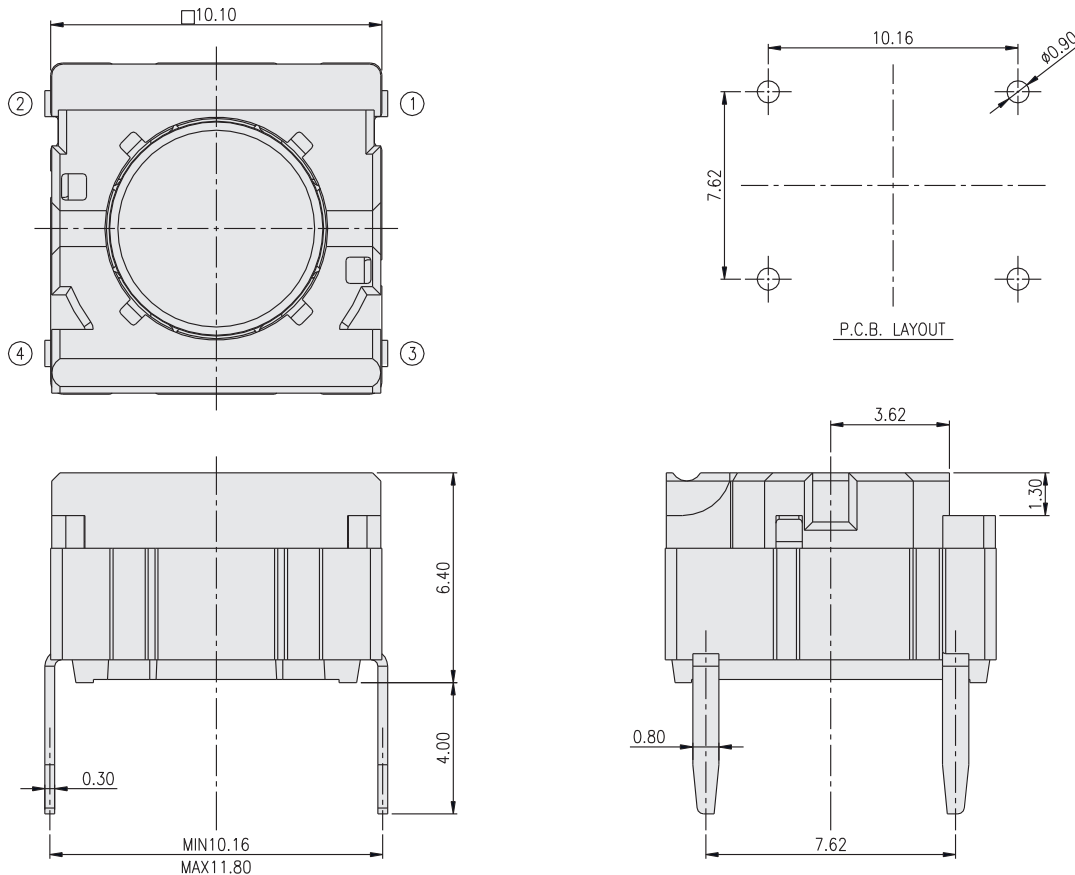


PACKAGE

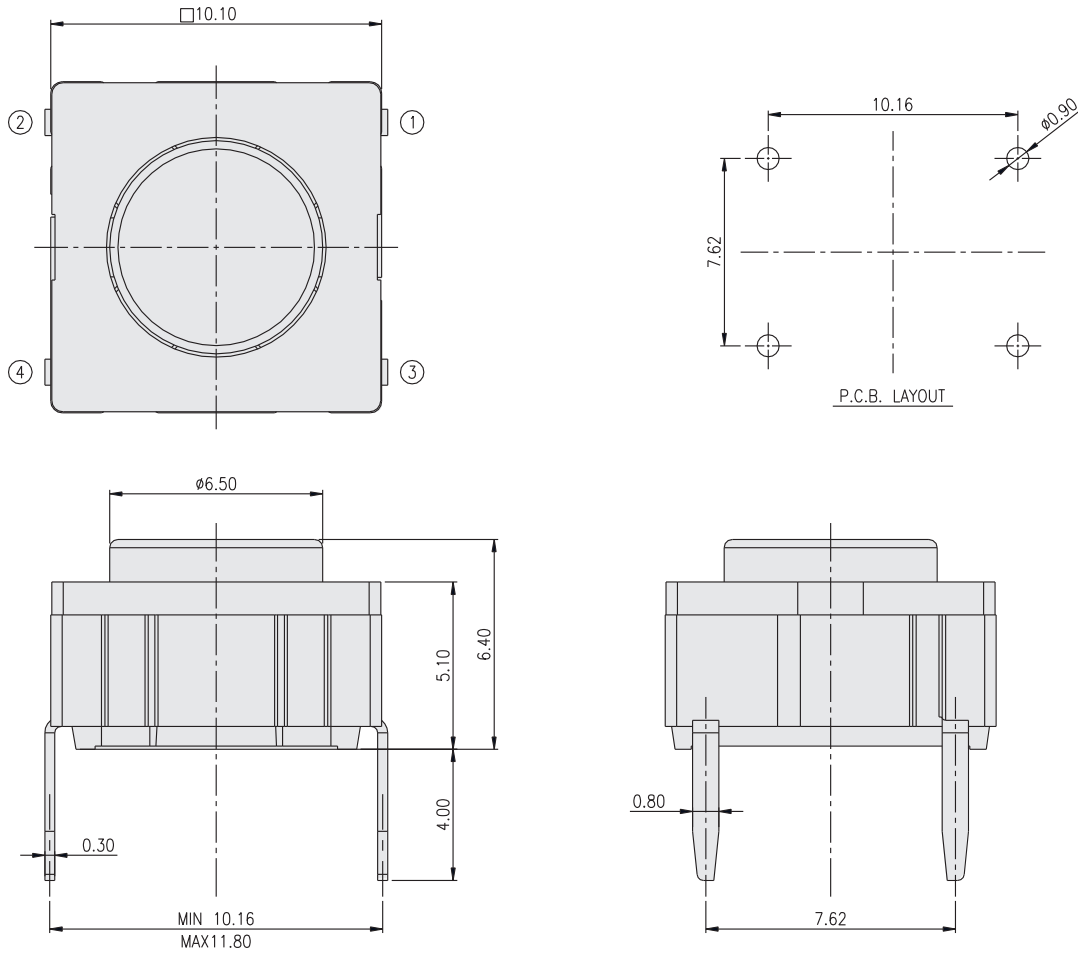
<Tube>
 TL-A/TL-B/TLA-A: 45 pcs
 <Tape & Reel>
 TLM-A/TLM-B: 650 pcs

TACT SWITCH

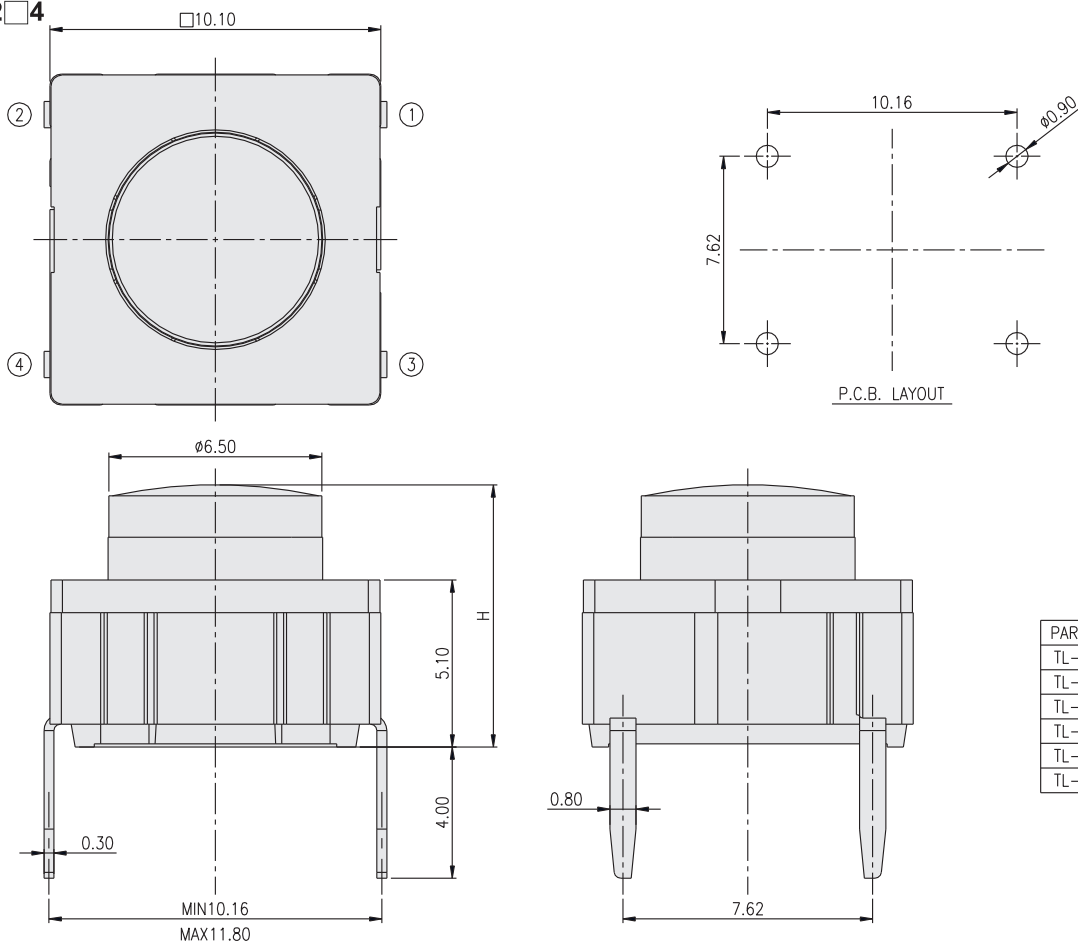
TL-B114



TL-A114

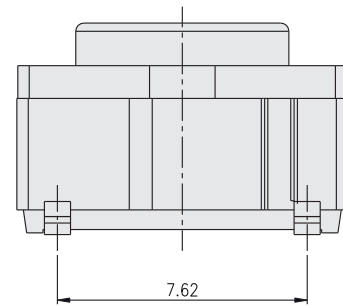
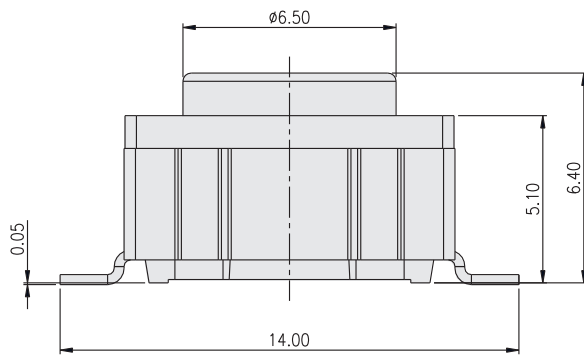
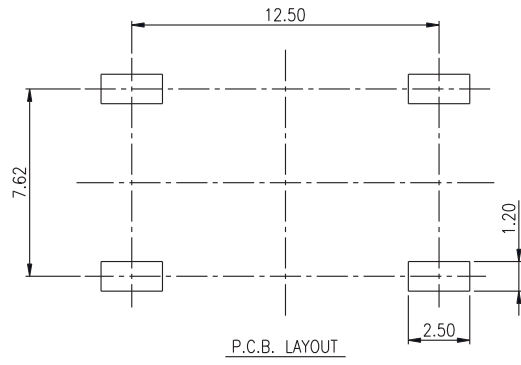
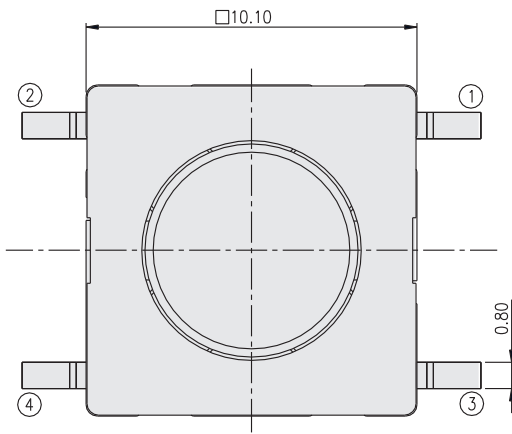


TL-A2□4



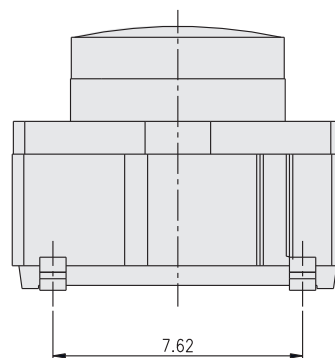
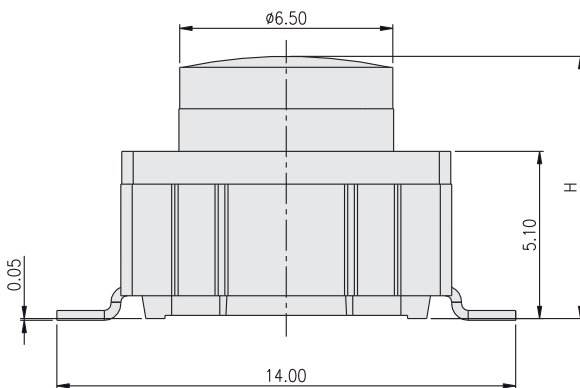
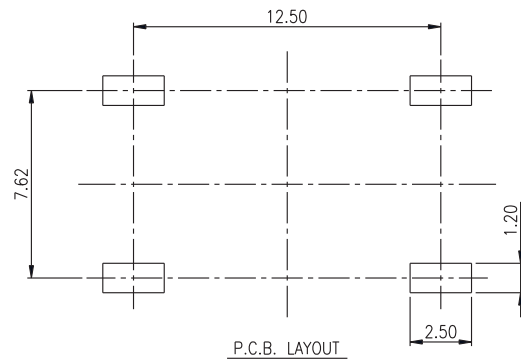
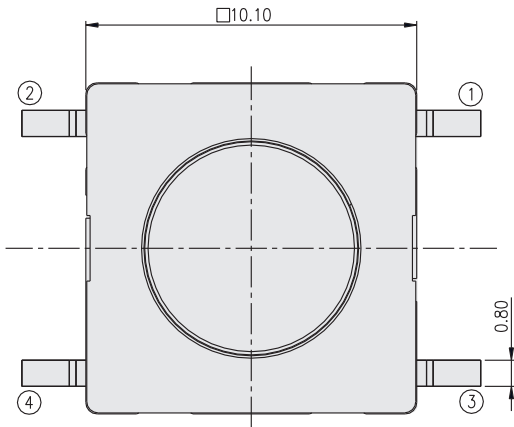
PART NO.	H
TL-A224	8.00
TL-A234	9.50
TL-A244	10.40
TL-A254	11.00
TL-A264	12.00
TL-A274	15.00

TLM-A114



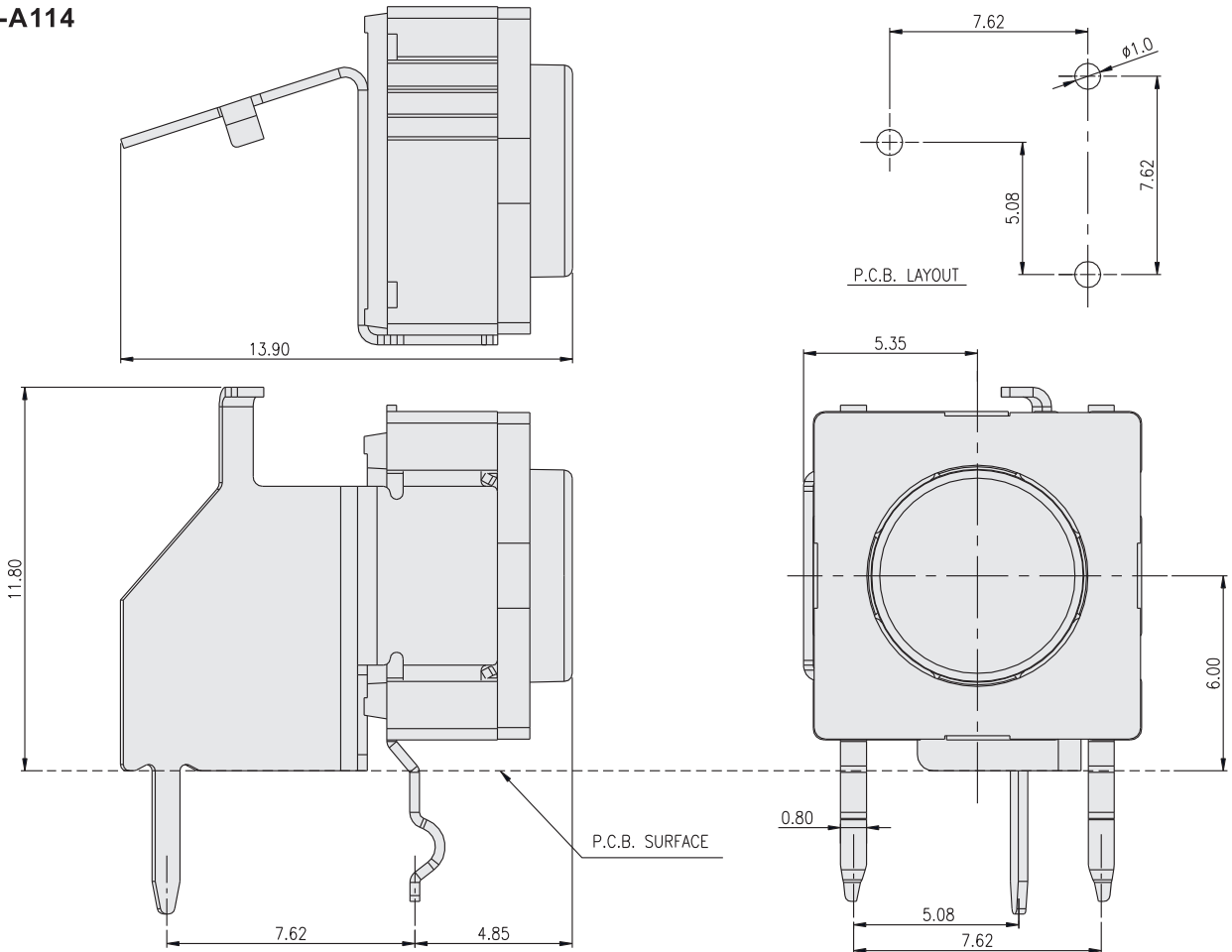
TACT SWITCH

TLM-A2□4

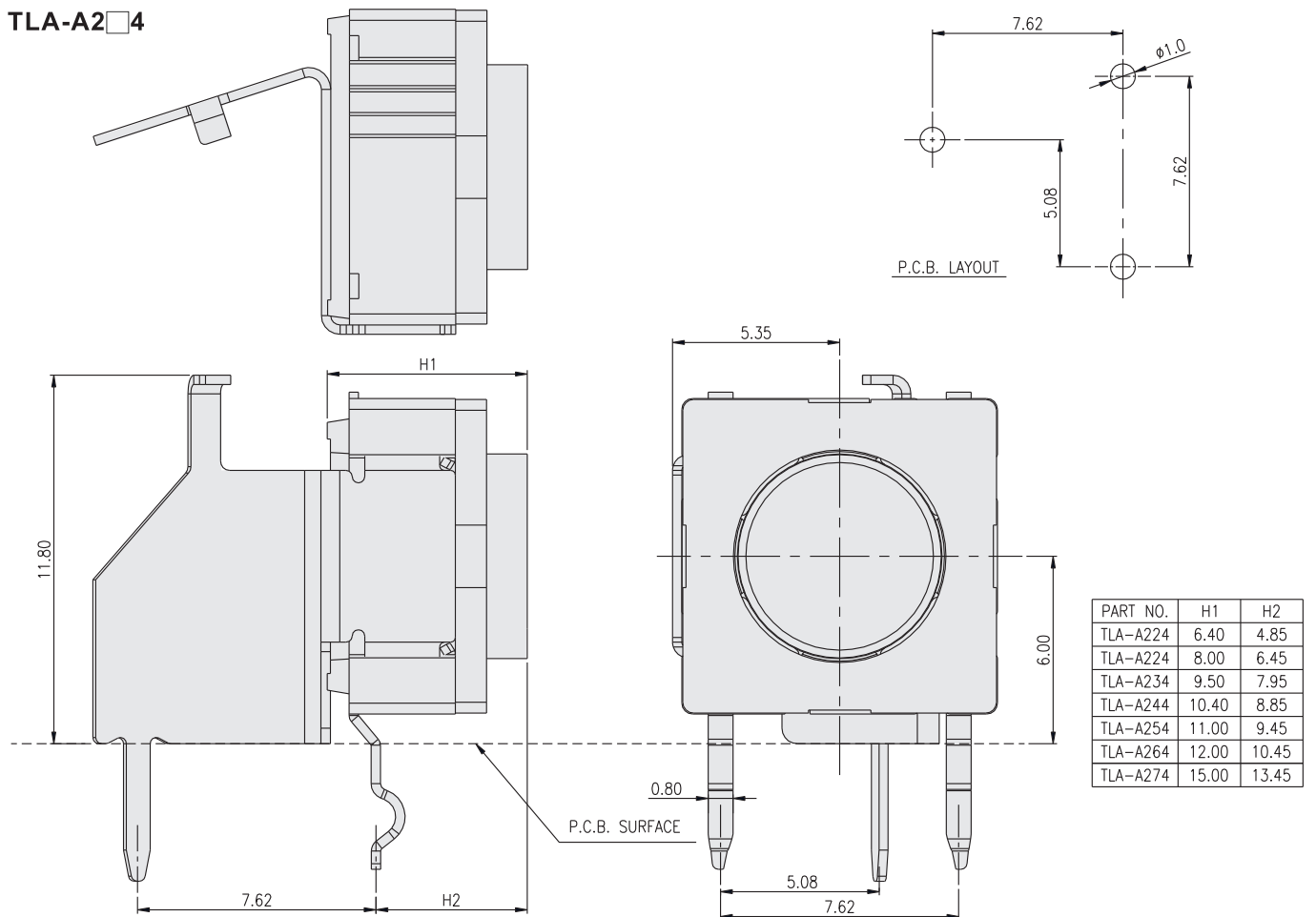


PART NO.	H
TLM-A224	8.00
TLM-A234	9.50
TLM-A244	10.40
TLM-A254	11.00
TLM-A264	12.00
TLM-A274	15.00

TLA-A114

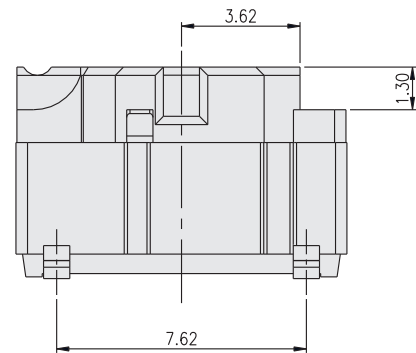
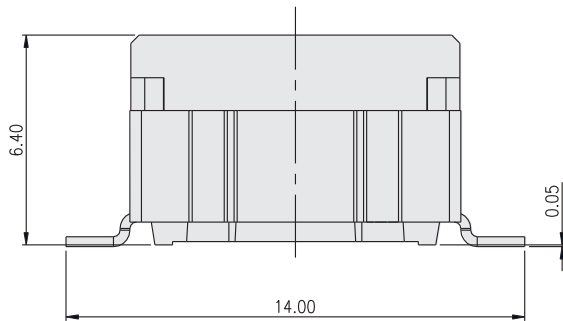
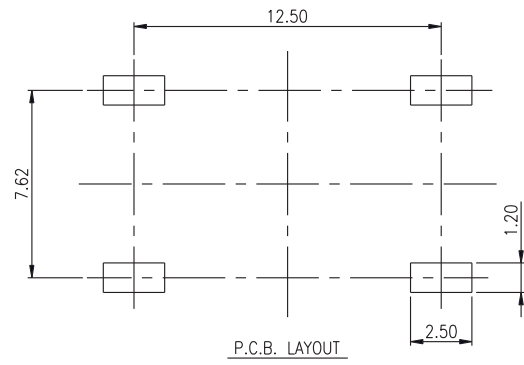
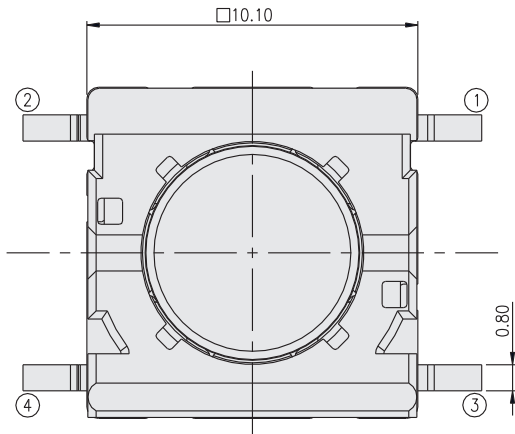


TLA-A2□4



TACT SWITCH

TLM-B114



TACT SWITCH