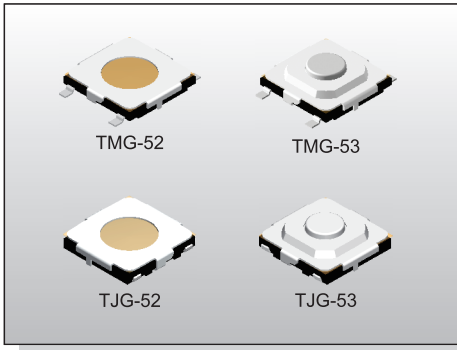


TACT SWITCH TM/TJ()-5 SERIES

5.2x5.2 SMT & J SMT Type
(H: 0.8 / 1.5mm)



FEATURES

- ✘ Compact-sized 5.2x5.2mm
- ✘ Long operating life
- ✘ With ground terminal

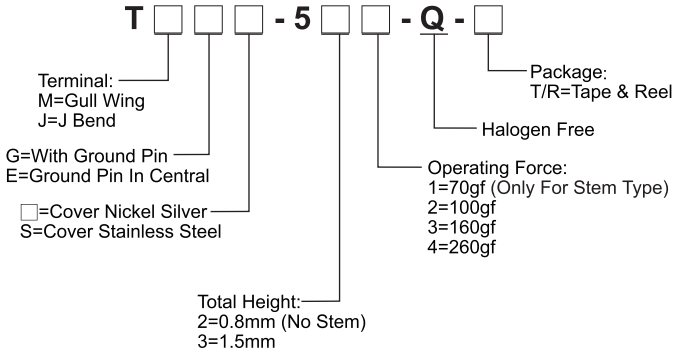
APPLICATION

- ✘ Smart phone
- ✘ Digital camera, Medical
- ✘ Portable electronic device

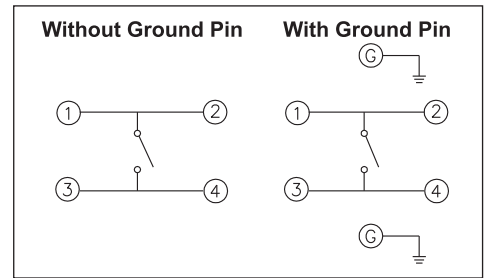
SPECIFICATION

Contact Rating	50mA, 12V DC
Contact Resistance	100mΩ max.
Insulation Resistance	100MΩ min. 500V DC
Dielectric Strength	250V AC/1 minute
Operating Force	70±50gf / 100±50gf / 160±50gf / 260±50gf
Travel	0.25mm
Operating Life	200,000 cycles for 260gf 1,000,000 cycles for 160/100/70gf
Operating Temp.	-25°C ~ +70°C
Storage Temp.	-30°C ~ +80°C

HOW TO ORDER



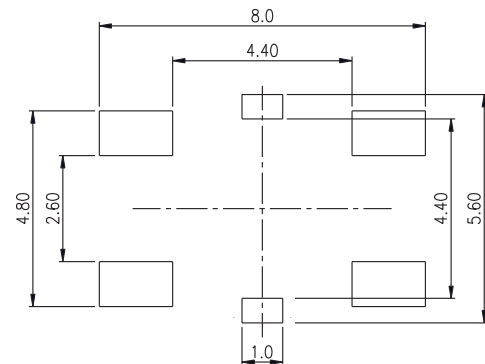
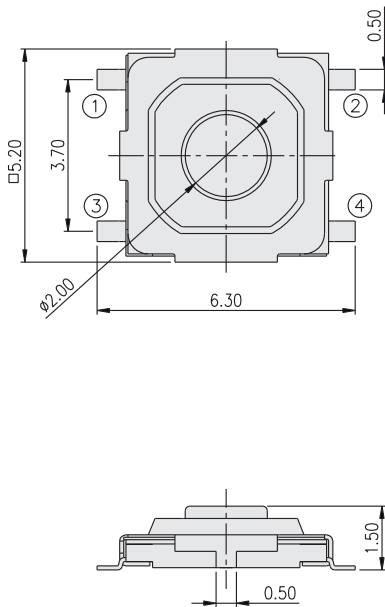
CIRCUIT



PACKAGE

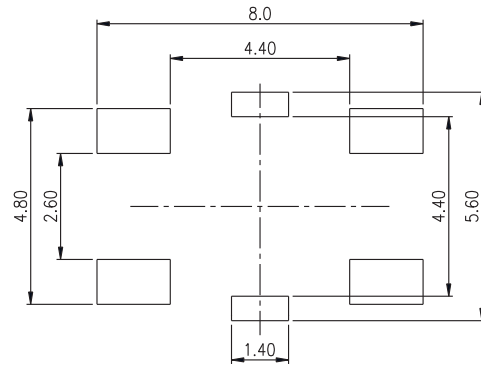
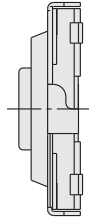
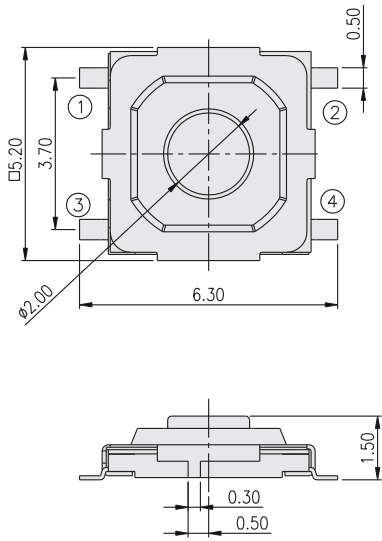
<Tape & Reel>
4000 pcs

TME-5



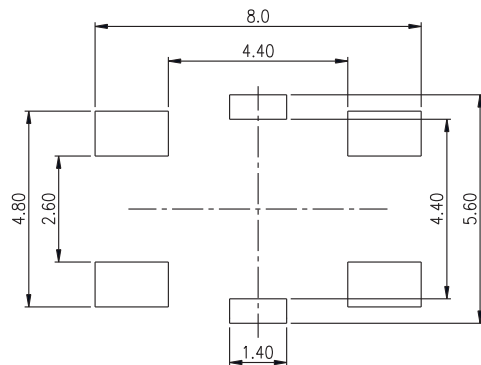
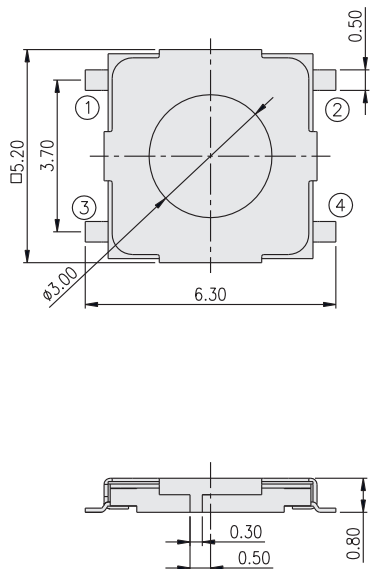
P.C.B. LAYOUT

TMG-53



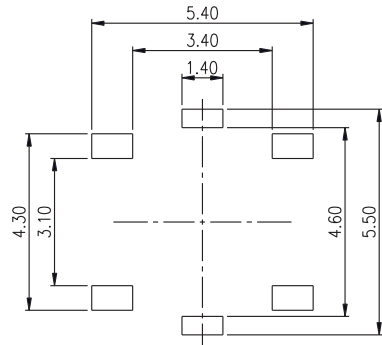
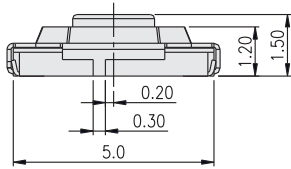
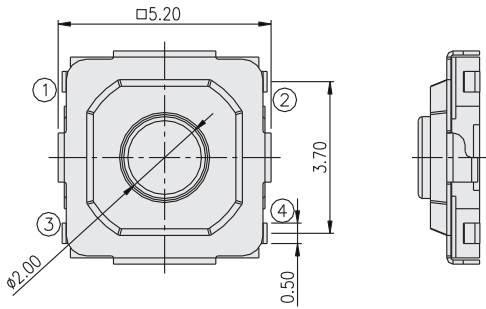
P.C.B. LAYOUT

TMG-52



P.C.B. LAYOUT

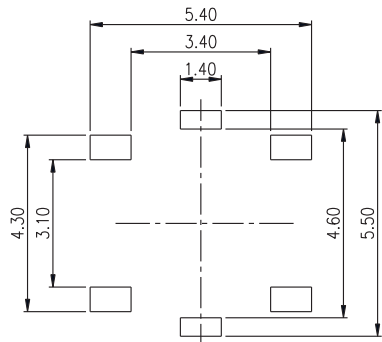
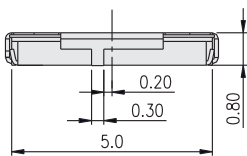
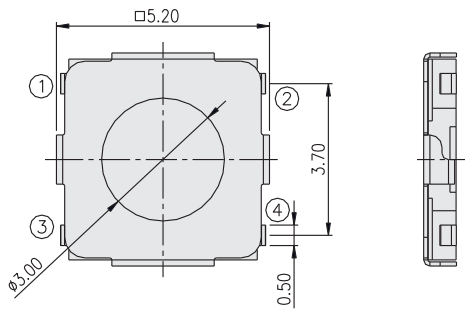
TJG-53



P.C.B. LAYOUT

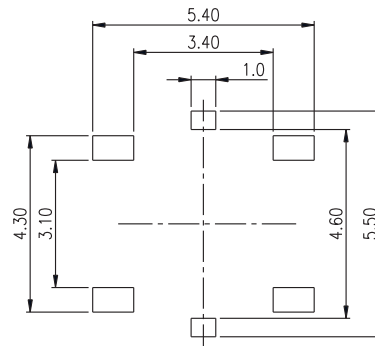
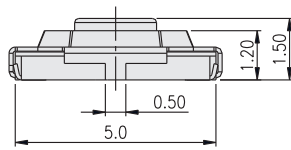
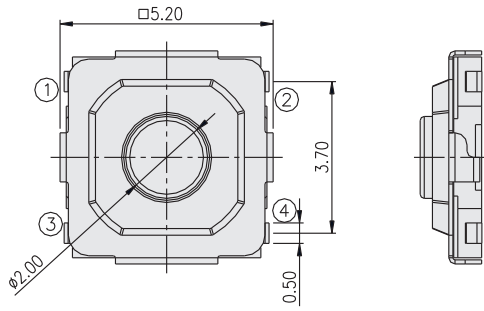
TACT SWITCH

TJG-52



P.C.B. LAYOUT

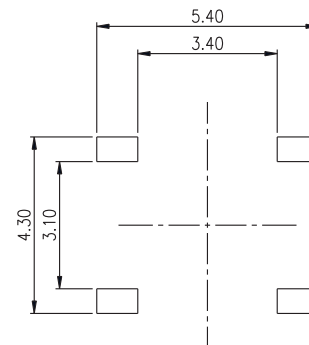
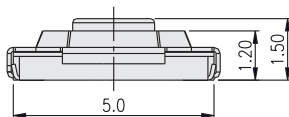
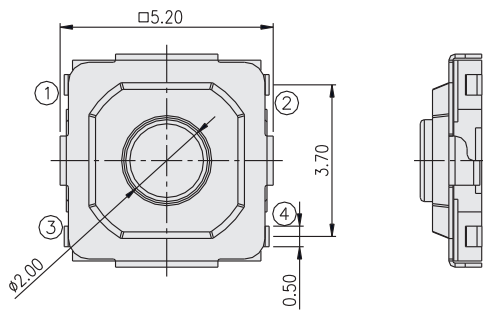
TJE-53



P.C.B. LAYOUT

TACT SWITCH

TJ-53



P.C.B. LAYOUT