

SERIES 6E



CHARACTERISTICS

- Ultra-miniature Reset Pushbutton
- 2.5 mm Dia
- 0.7 mm Travel
- 100 mA switching

SPECIFICATIONS

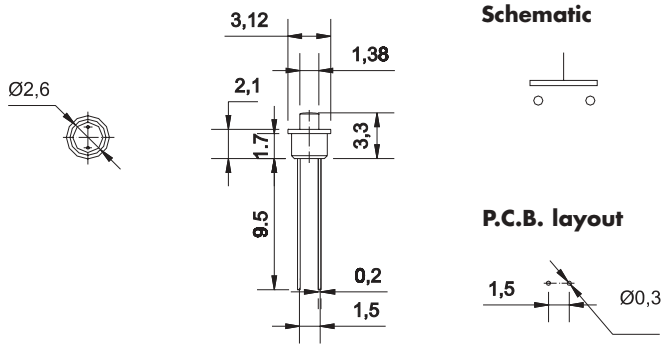
Rating: Switching 100 mA @ 3VDC max
Contact Resistance: 150 mΩ max initial
Insulation Resistance: 1 MΩ min @ 100V
Temperature: Operating -30°C to +60°C
Operating Life: 100.000 operations

HOW TO ORDER

6 E

5 2

DIMENSIONS



Schematic



P.C.B. layout



Part N° shown: 6E52