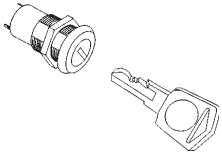


## SERIES KS FL1

- **Miniature ON-OFF Key-Lock Switch**



## CHARACTERISTICS

- Flat Key
- 20 combinations
- 4 Disk Tumbler Mechanism

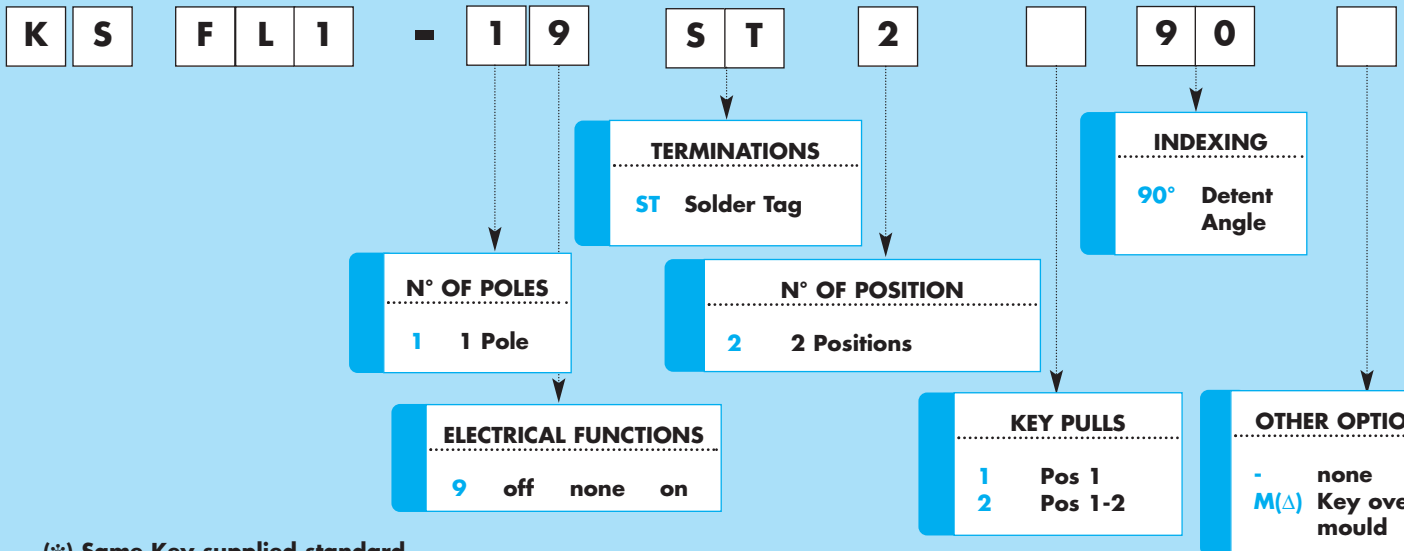
## SPECIFICATIONS

**Contact Rating:** 1A @ 125 VAC or 28 VDC - 0,5A @ 250 VAC  
**Contact Resistance:** <math>10\ \Omega</math> min.  
**Insulation Resistance:**  $10^9\ \Omega$  min.  
**Dielectric Strength:** 1000 V RMS Min @ sea level  
**Electric Life:** 6.000 make & break cycles @ full load

## MATERIALS

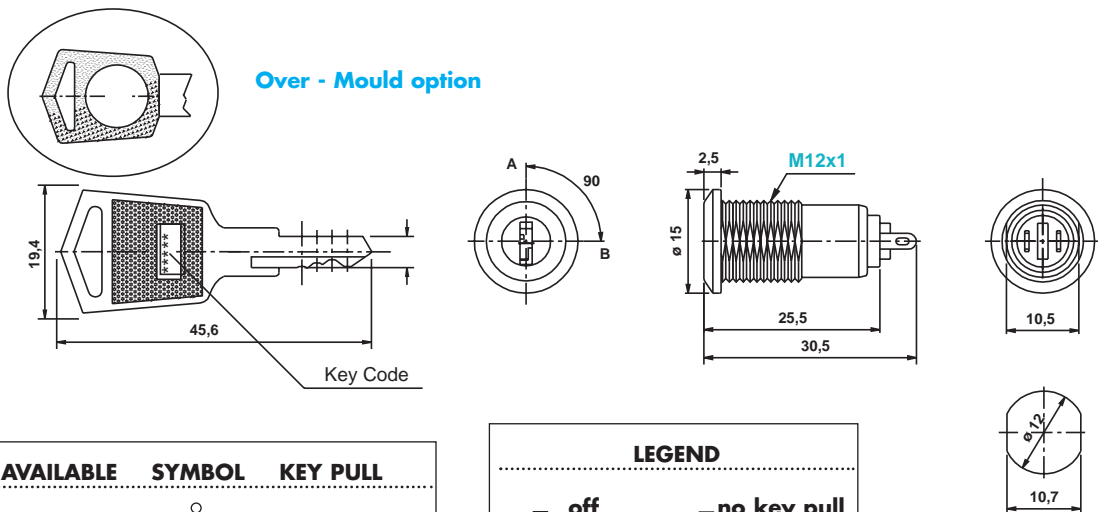
**Lock Housing:** Zinc alloy  
**Cylinder:** 4 Disk tumbler mechanism  
**Keys:** Brass Nickel plated  
**Bezel:** Stainless steel  
**Contacts:** Silver plated  
**Terminals:** Silver plated

## HOW TO ORDER



- (\*) Same Key supplied standard
- (\*) When ordering specify same Key or different Keys  
Min Qty per lot apply for different Keys - Please enquire -

(Δ) Min qty required



MODELS AVAILABLE	SYMBOL	KEY PULL
KS FL1-19ST2190		Pos 1
KS FL1-19ST2290		Pos 1-2

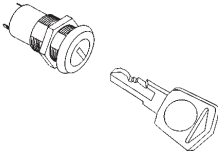
LEGEND	
—	off
●	on
△	mom
—	no key pull
○	key pull

KEY-LOCK SWITCHES



## SERIES KS FL2

- **Miniature multifunction Key-Lock Switch**



## CHARACTERISTICS

- Flat Key
- 20 combinations
- 4 Disk Tumbler Mechanism
- 2, 3, 4 Positions

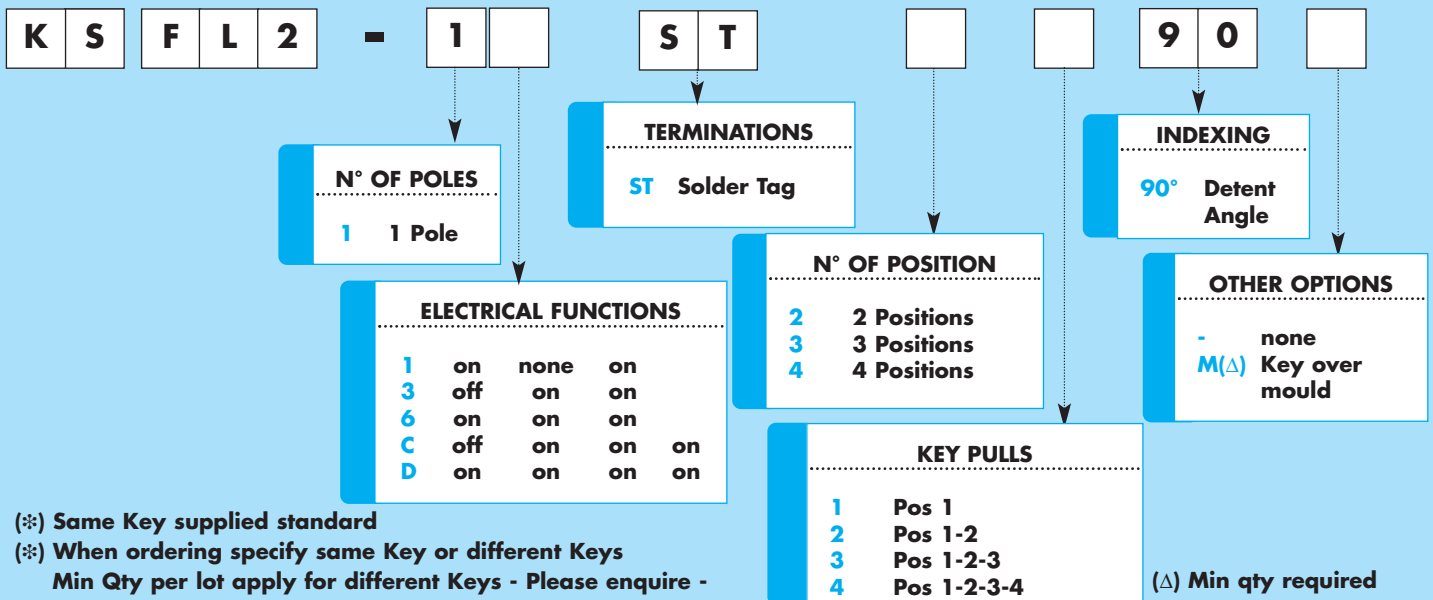
## SPECIFICATIONS

- Contact Rating:** 1A @ 125 VAC or 28 VDC - 0,5A @ 250 VAC
- Contact Resistance:** <math><10\text{ m}\Omega</math>
- Insulation Resistance:**  $10^9\Omega$  min.
- Dielectric Strength:** 1000 V RMS Min @ sea level
- Electric Life:** 6.000 make & break cycles @ full load

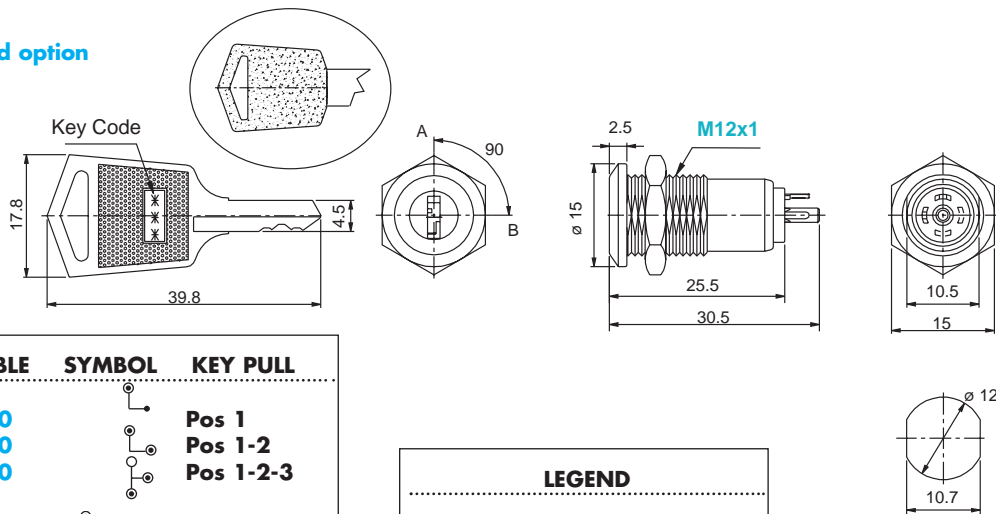
## MATERIALS

- Lock Housing:** Zinc alloy
- Cylinder:** 4 Disk tumbler mechanism
- Keys:** Brass Nickel plated
- Bezel:** Stainless steel
- Contacts:** Silver plated
- Terminals:** Silver plated

## HOW TO ORDER



### Over - Mould option



### MODELS AVAILABLE SYMBOL KEY PULL

KS FL2-11ST2190  
 KS FL2-11ST2290  
 KS FL2-13ST3390



Pos 1  
 Pos 1-2  
 Pos 1-2-3

KS FL2-16ST3390



Pos 1-2-3

KS FL2-1CST4490



Pos 1-2-3-4

KS FL2-1DST4490



Pos 1-2-3-4

### LEGEND

- off
- on
- △ mom
- no key pull
- key pull