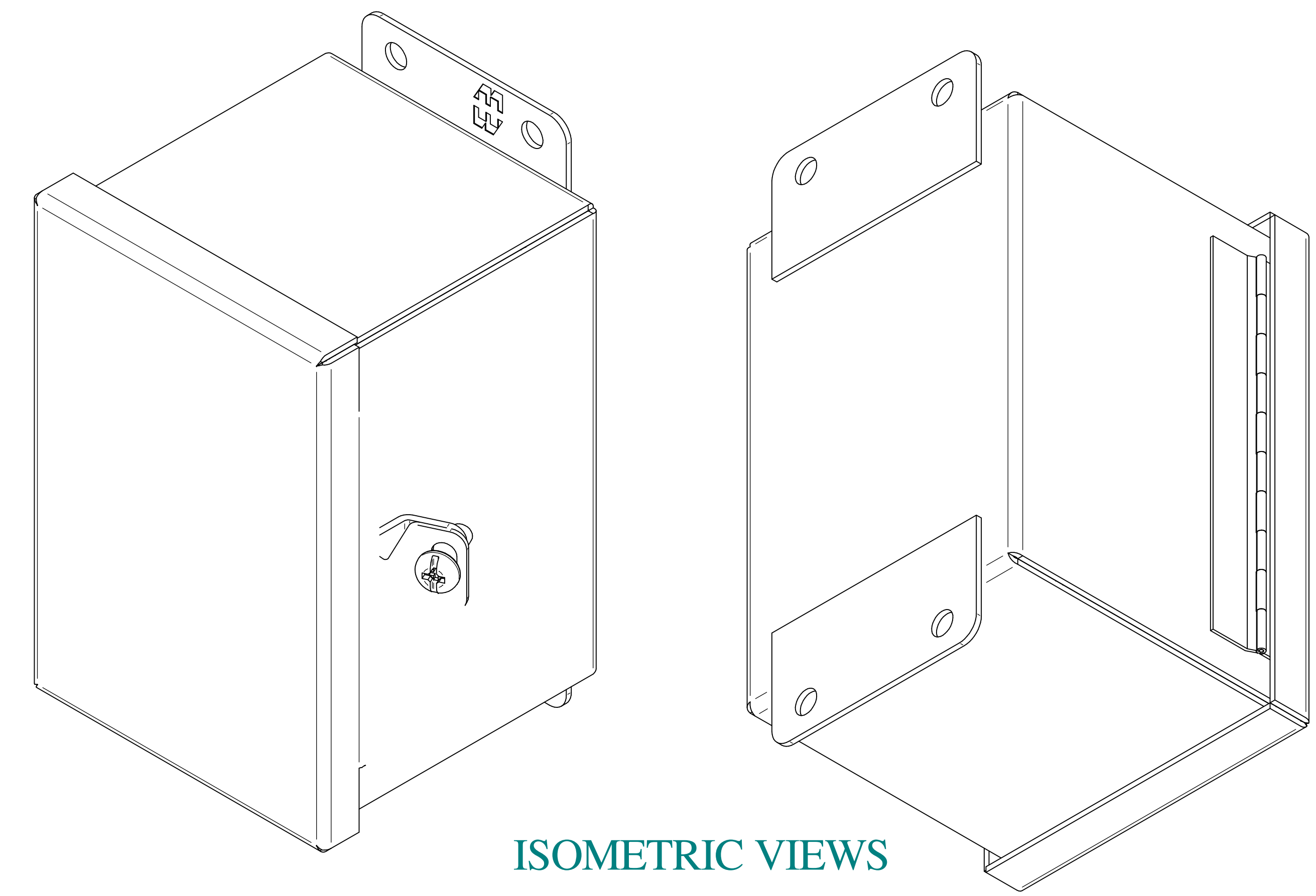
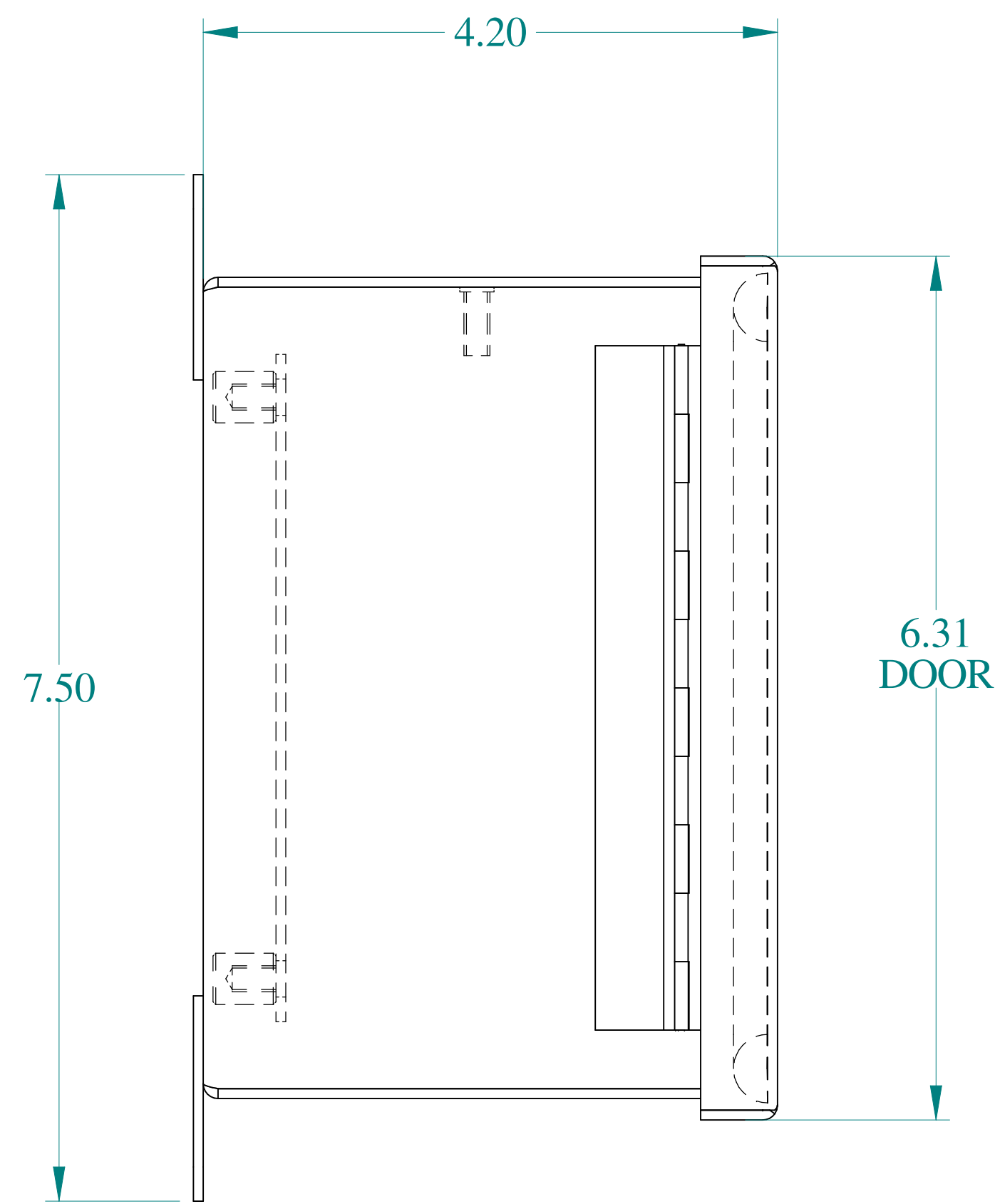


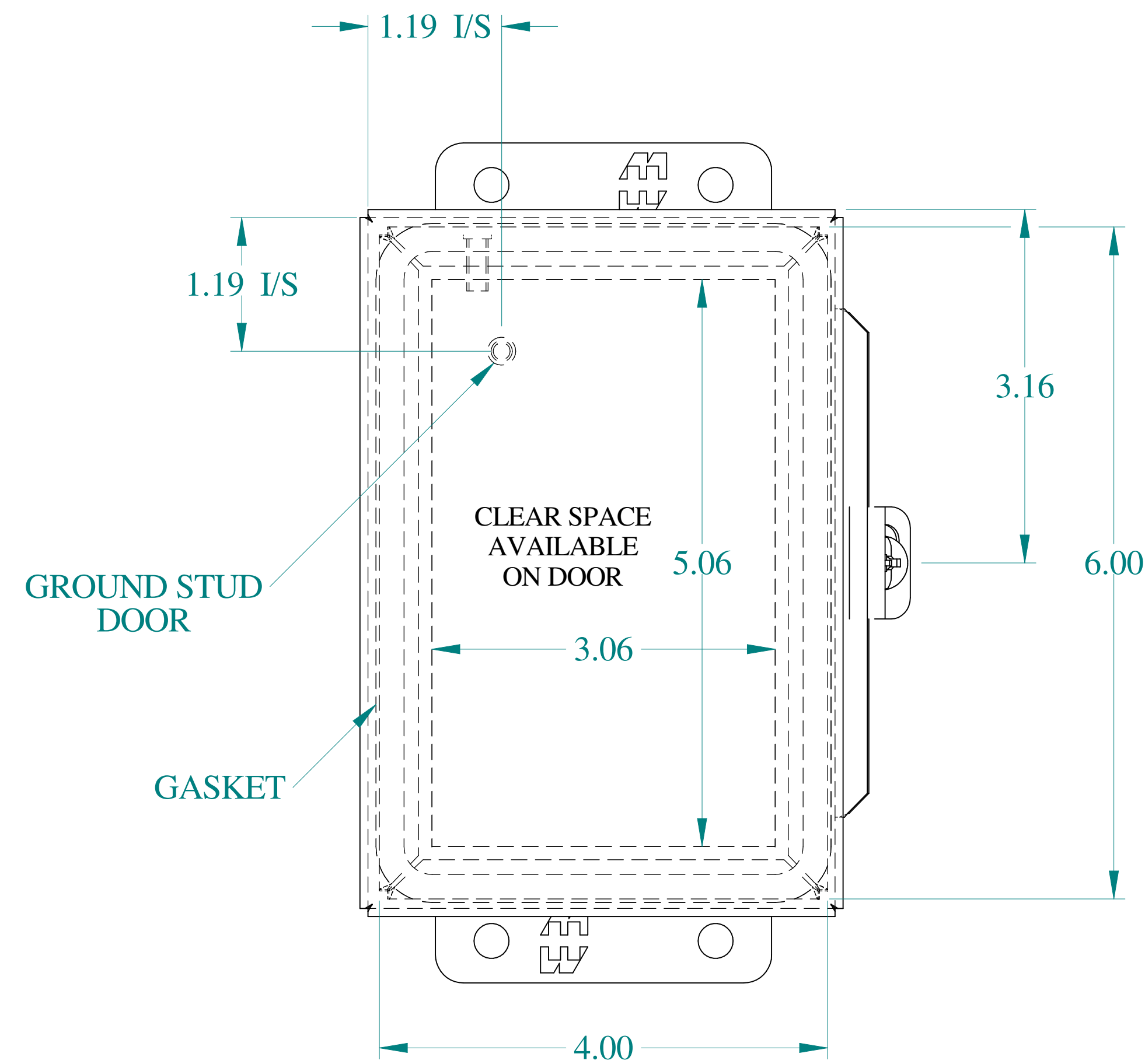
TOP VIEW



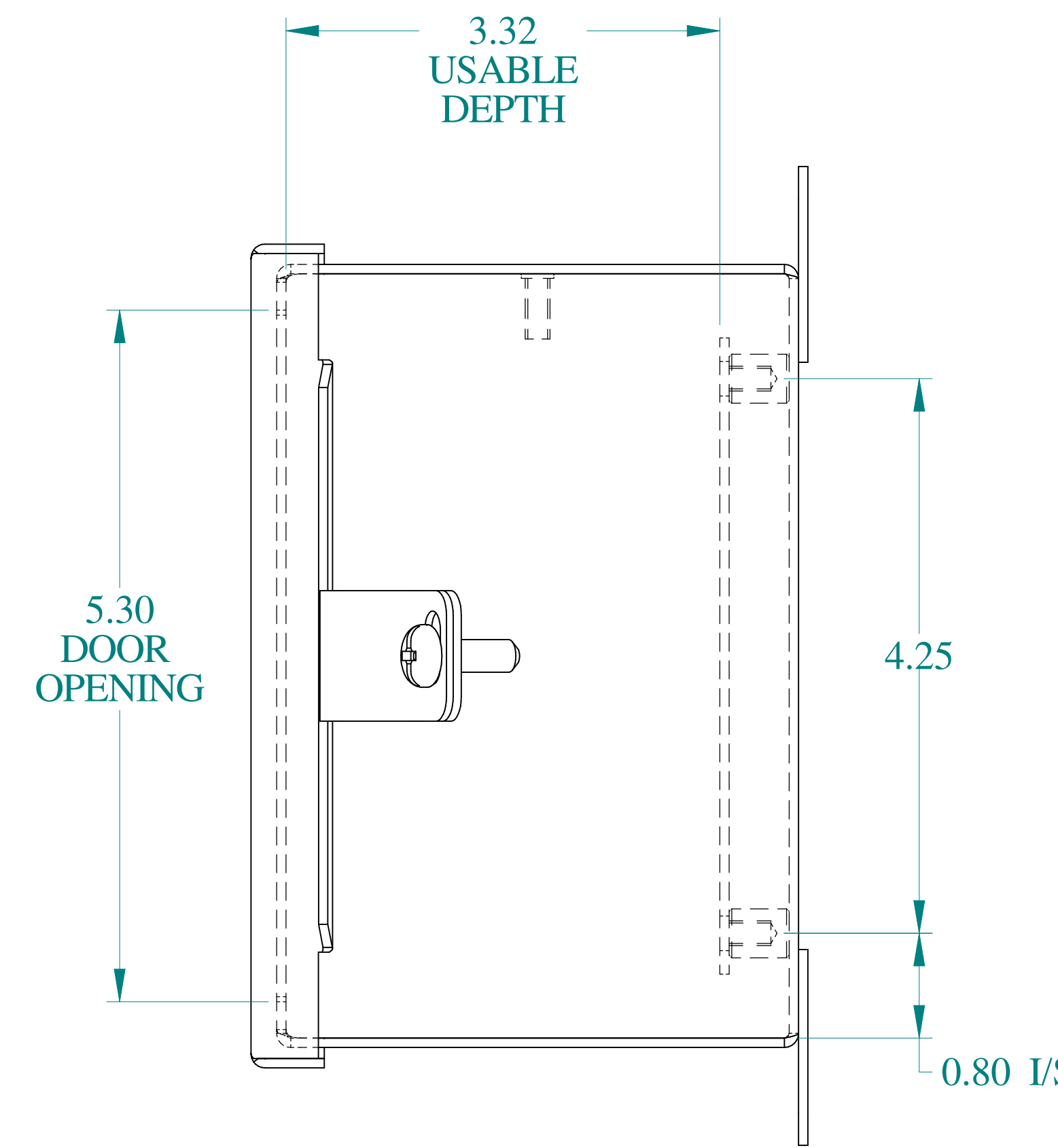
ISOMETRIC VIEWS



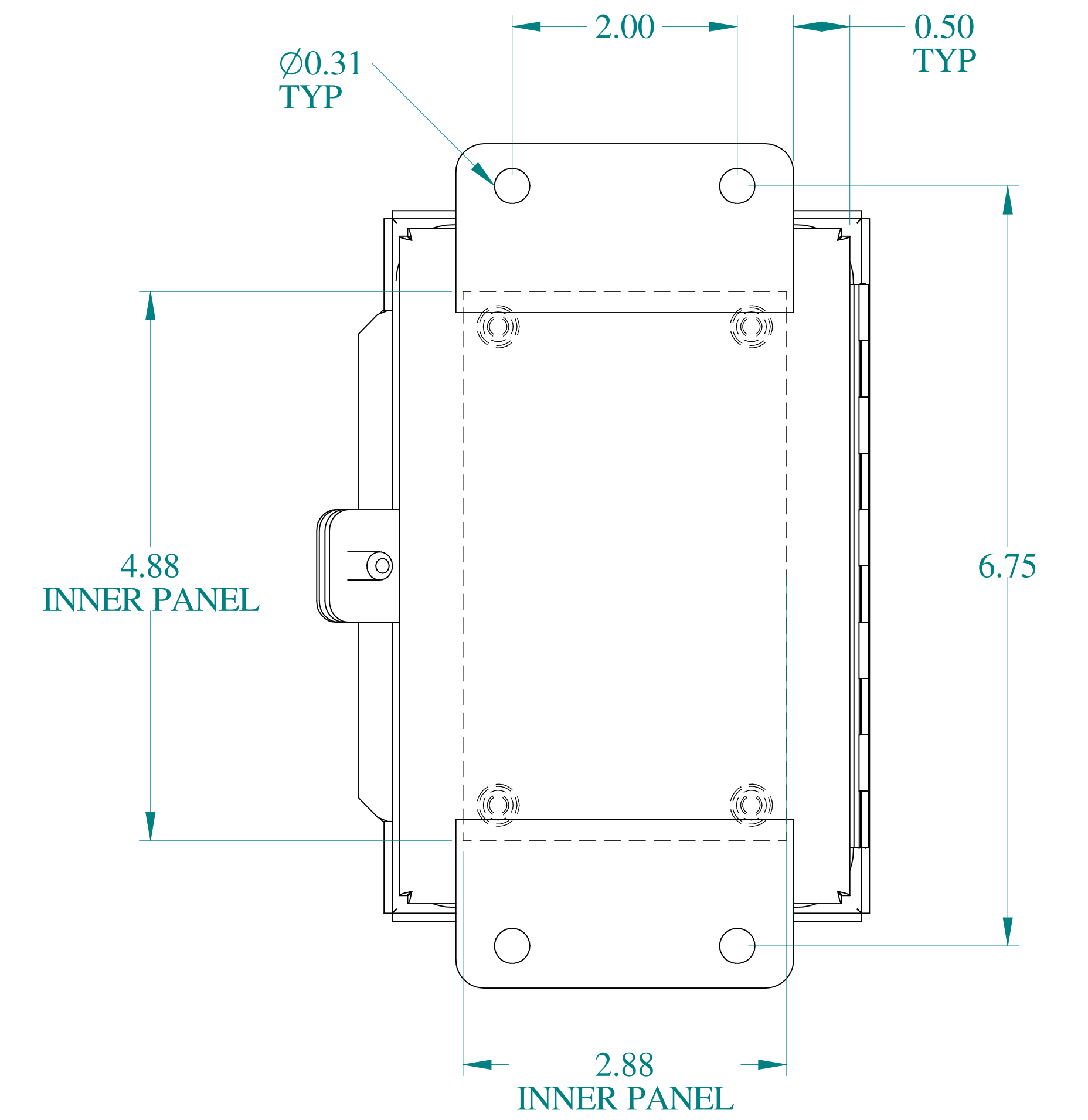
SIDE VIEW



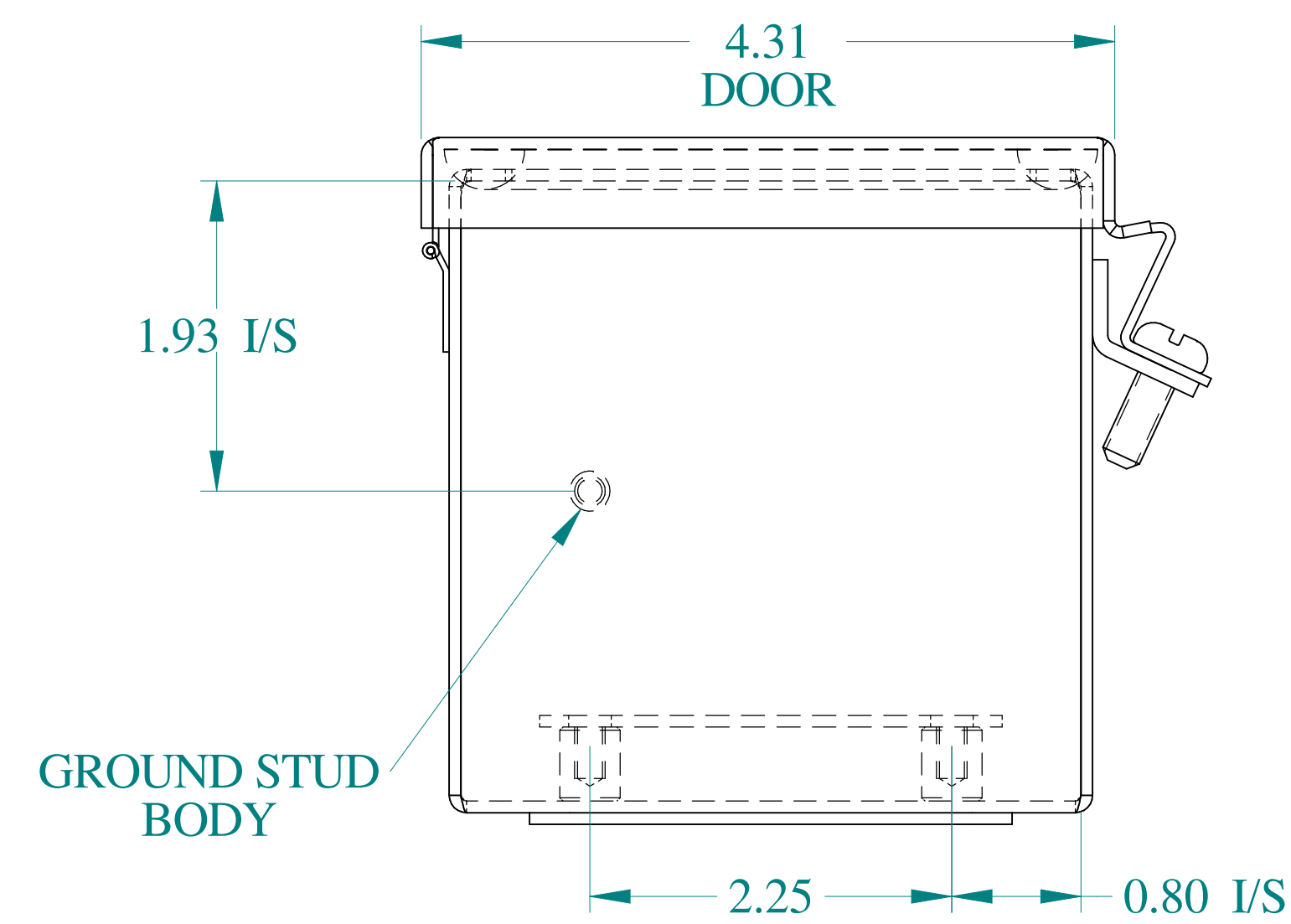
FRONT VIEW



SIDE VIEW



BACK VIEW



BOTTOM VIEW



Data subject to change without notice.

Part #: 1414N4PHS16C4

Date: Mar. 25, 2019

Link: www.hammg.com/1414N4PHS16C4