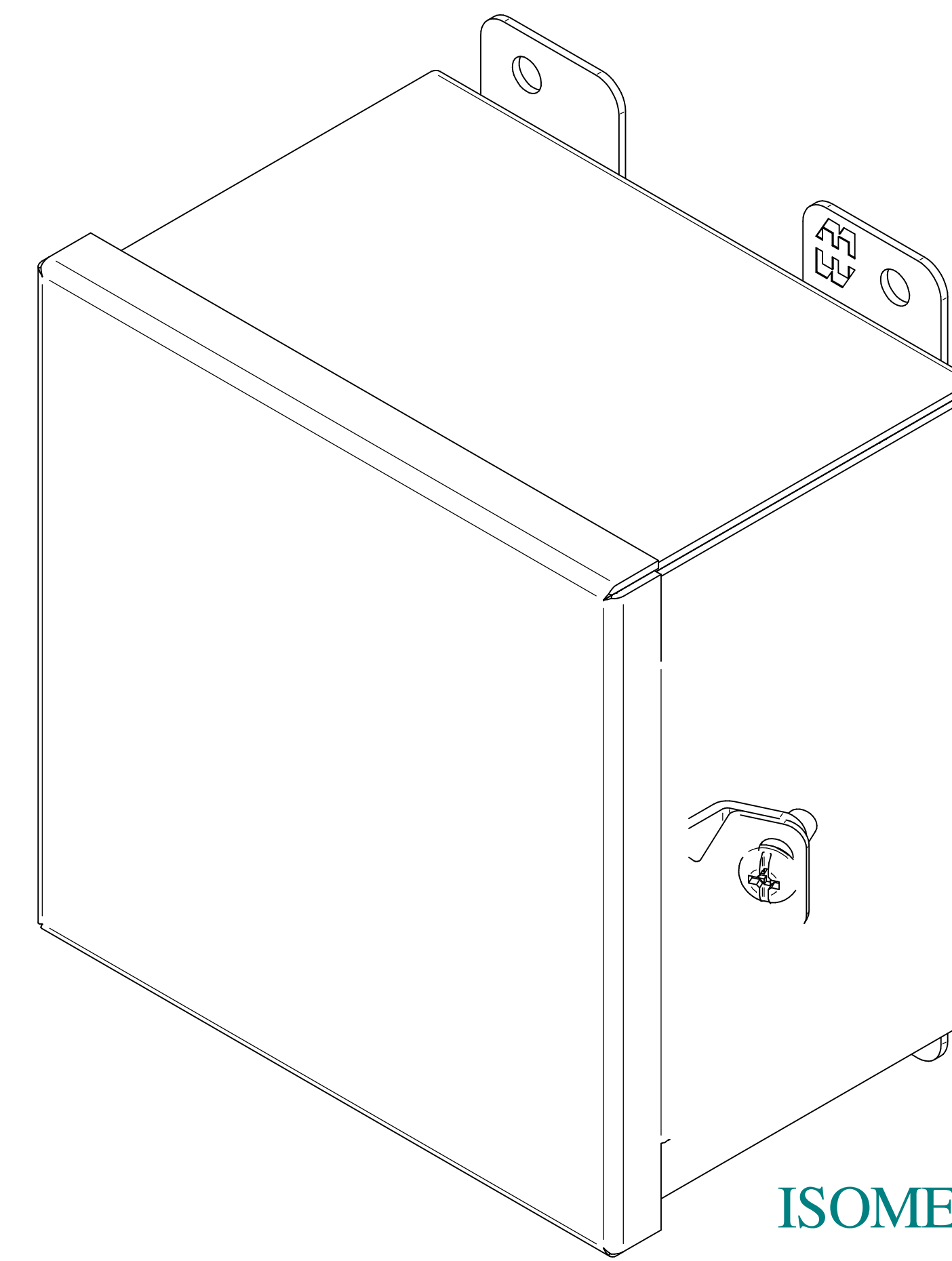
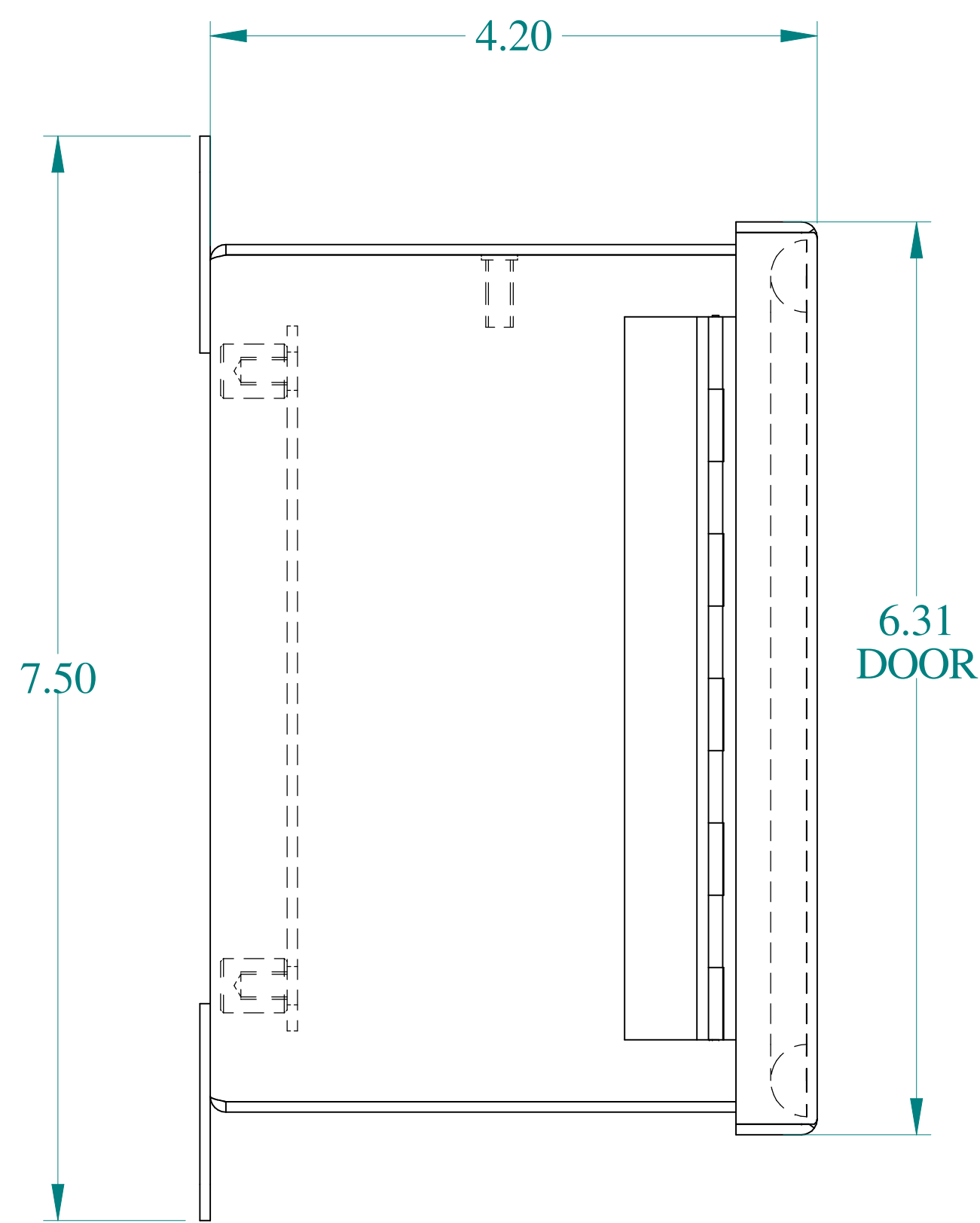
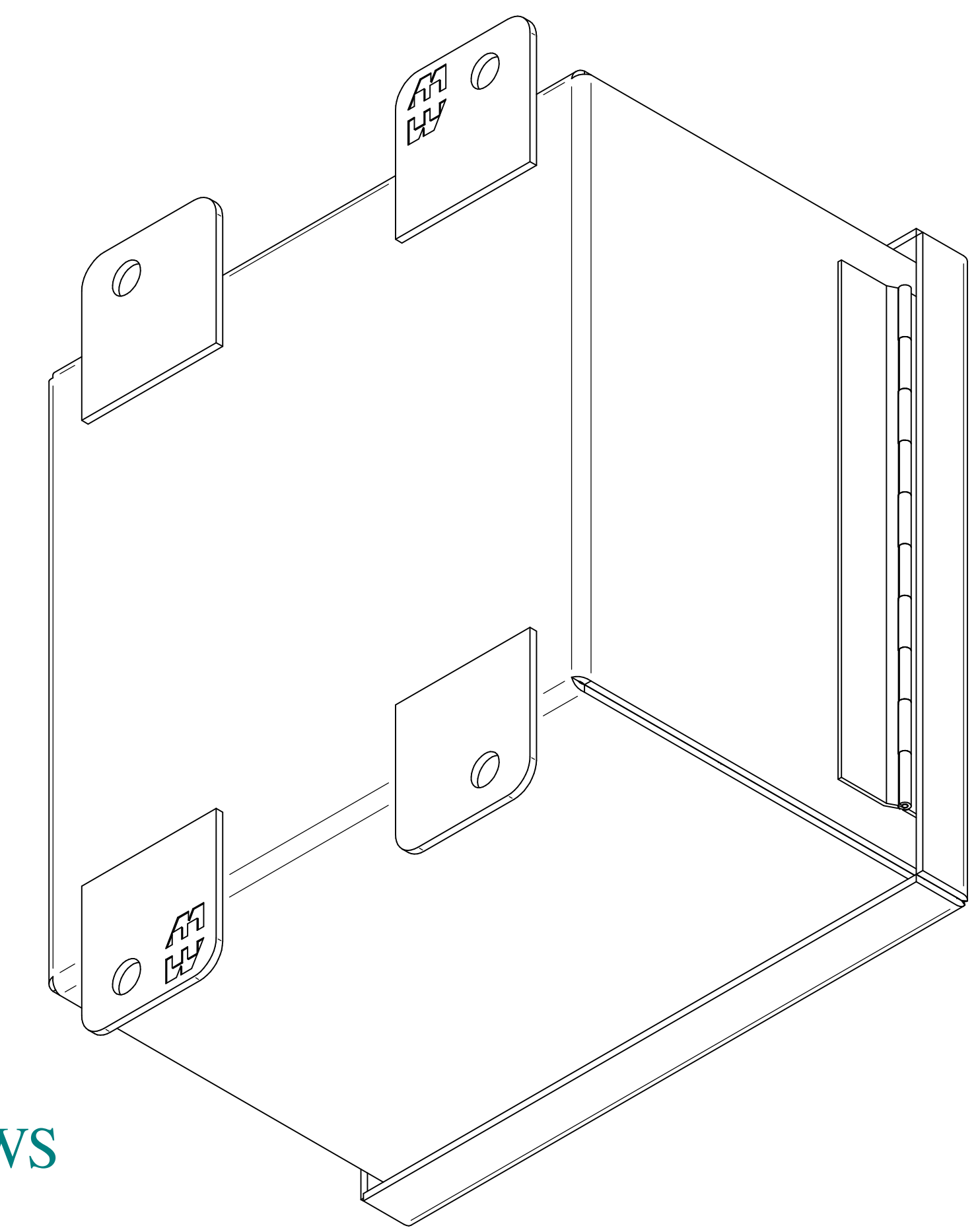


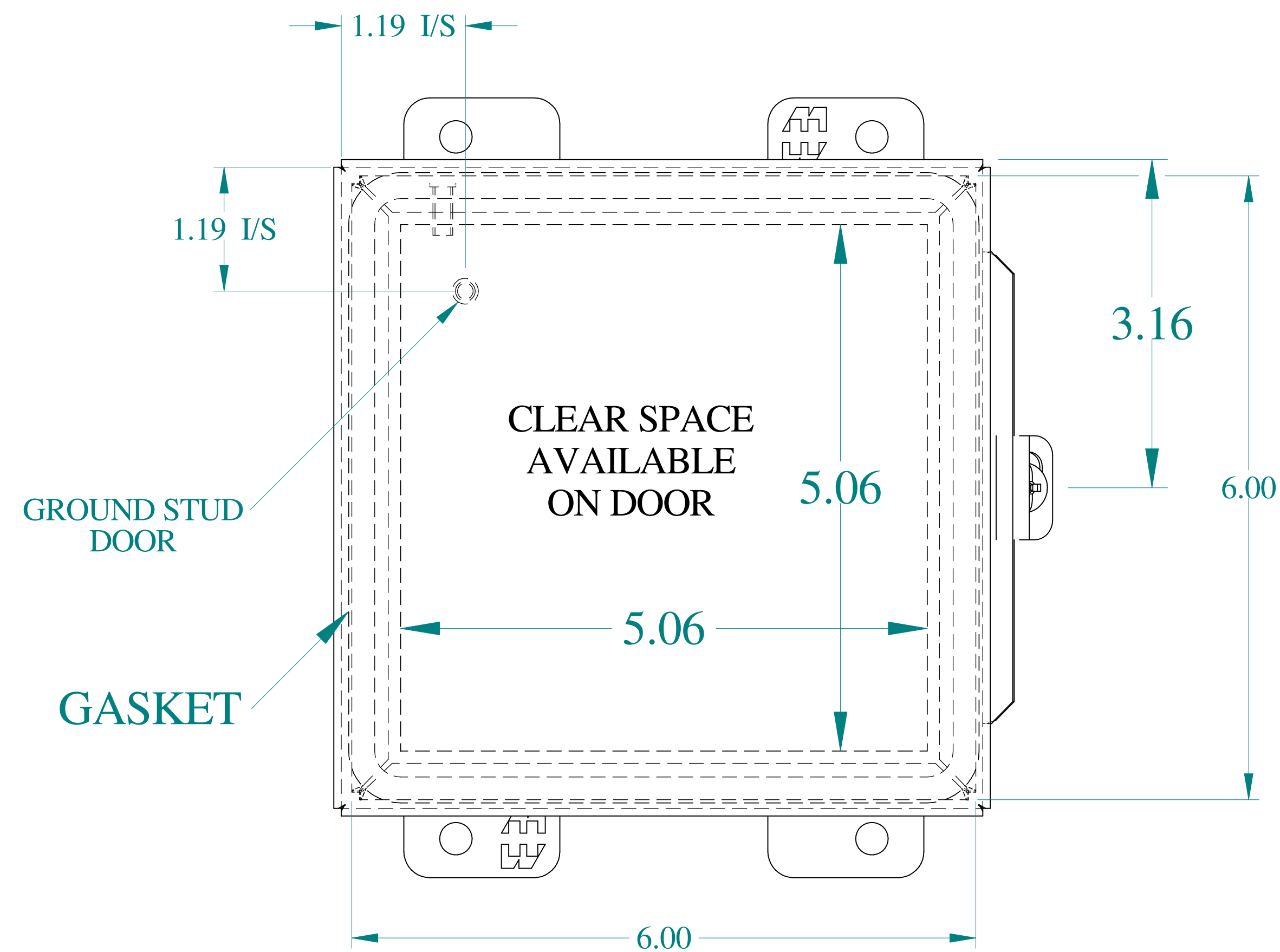
TOP VIEW



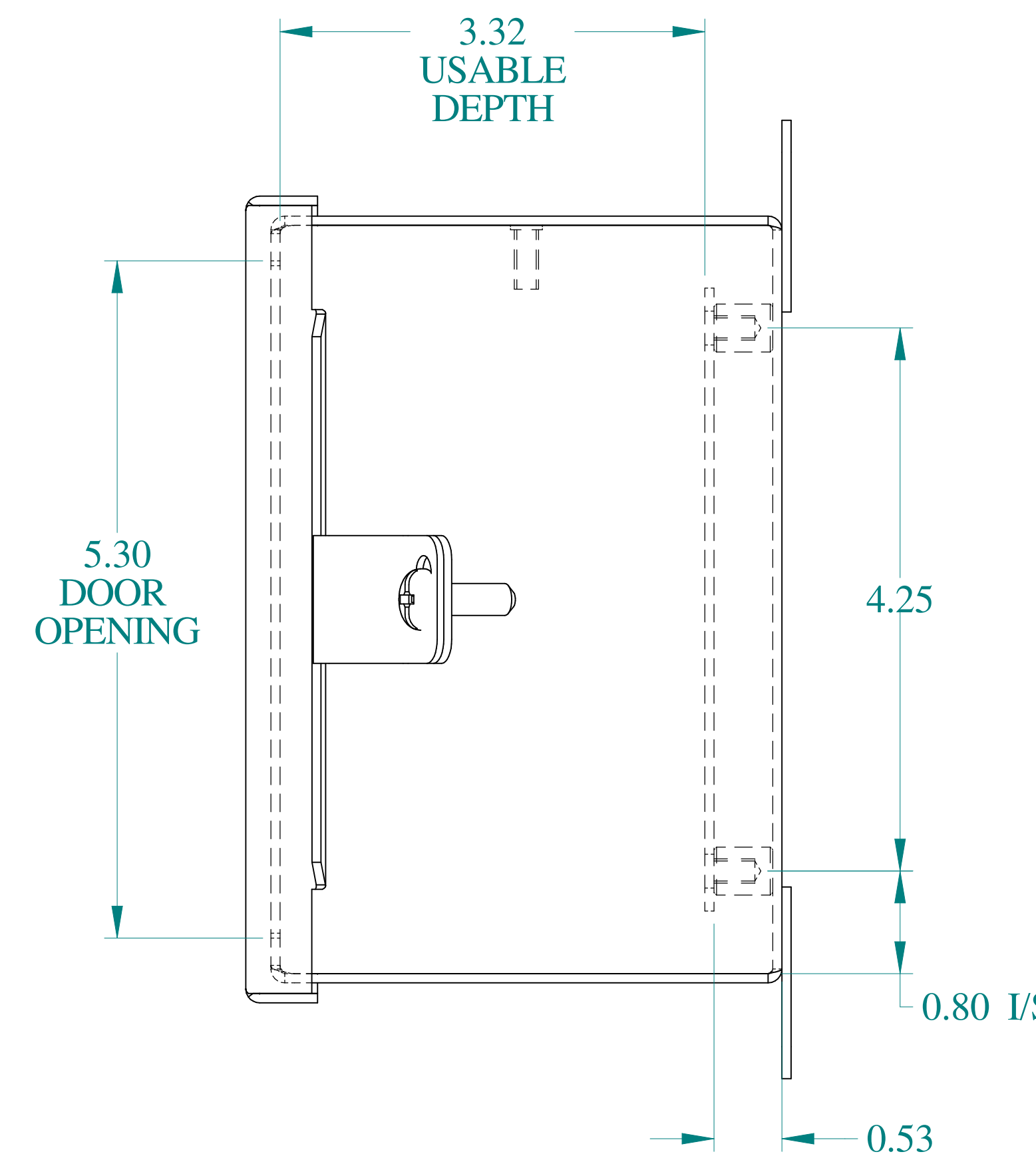
ISOMETRIC VIEWS



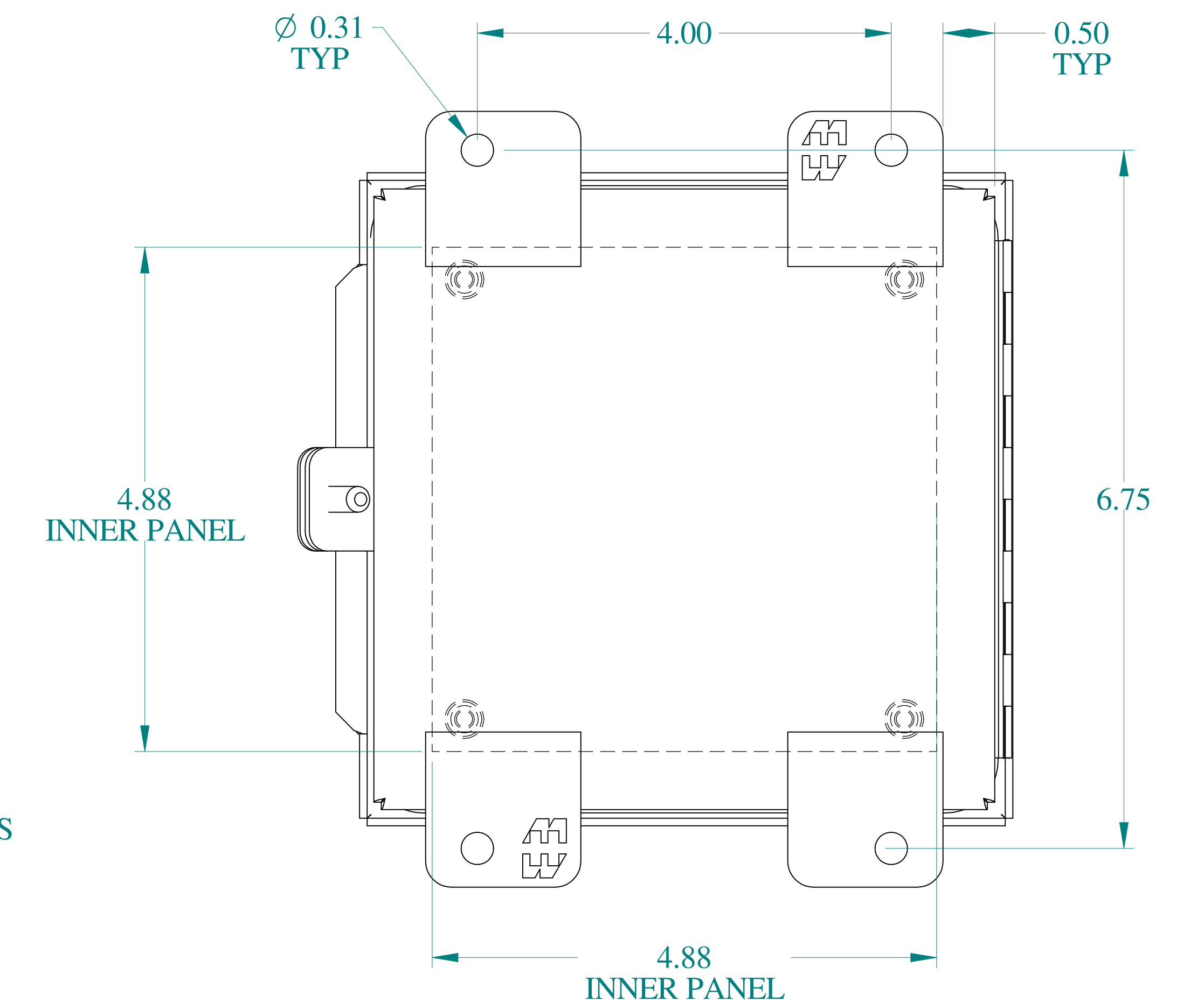
SIDE VIEW



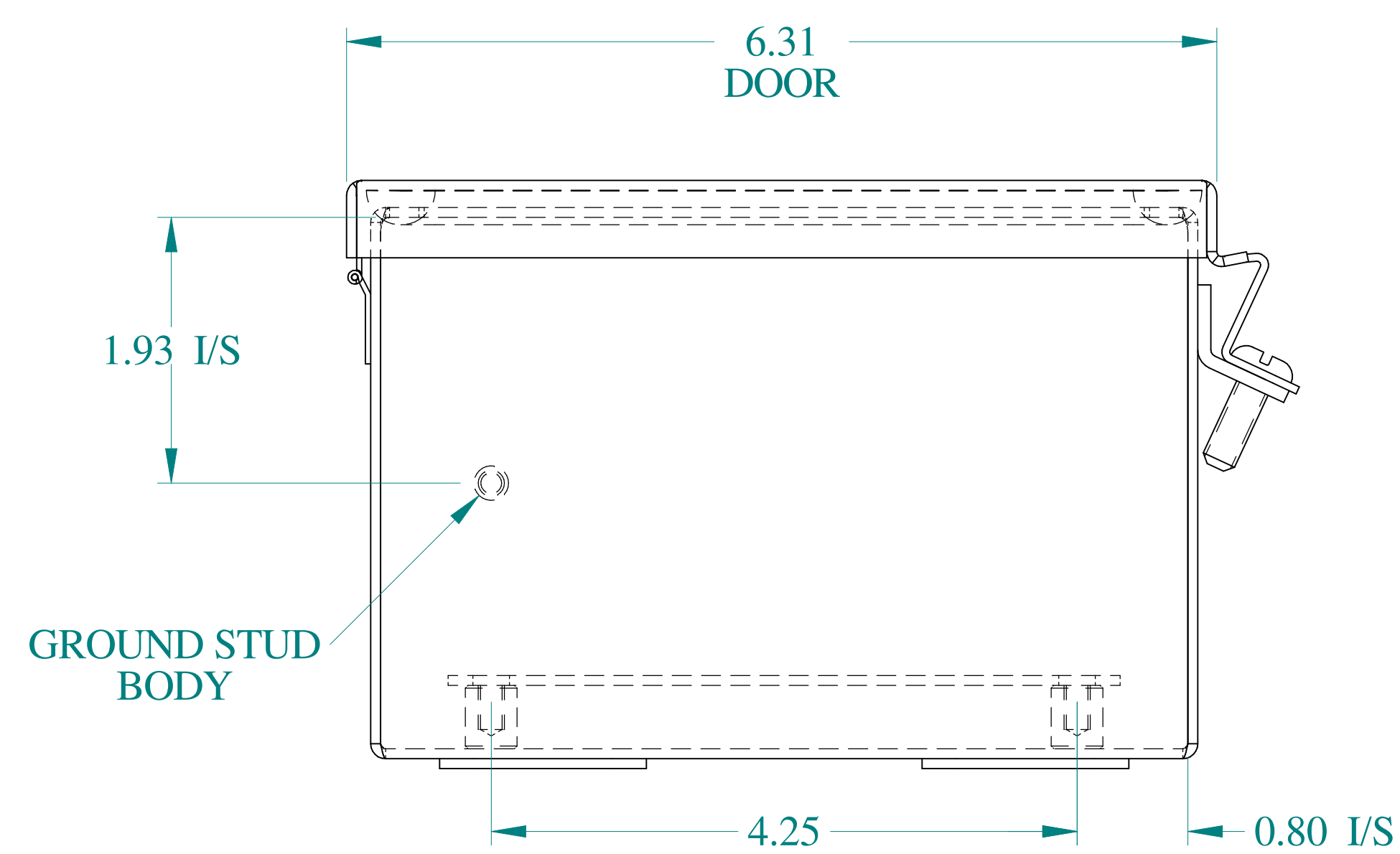
FRONT VIEW



SIDE VIEW



BACK VIEW



BOTTOM VIEW



Data subject to change without notice.

Part #: 1414N4PHS16E

Date: Mar. 25, 2019

Link: www.hammondmfg.com/1414N4PHS16E