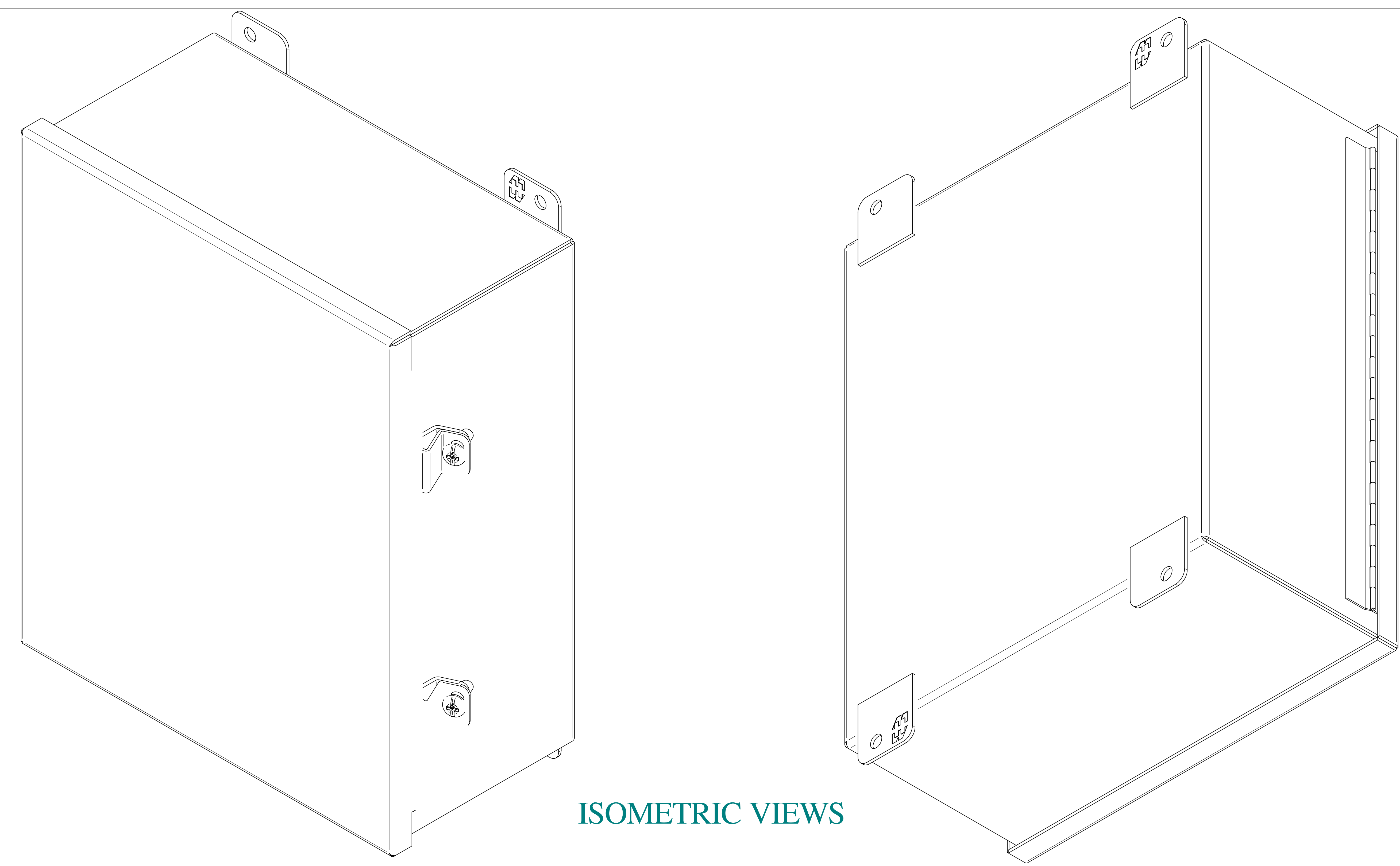
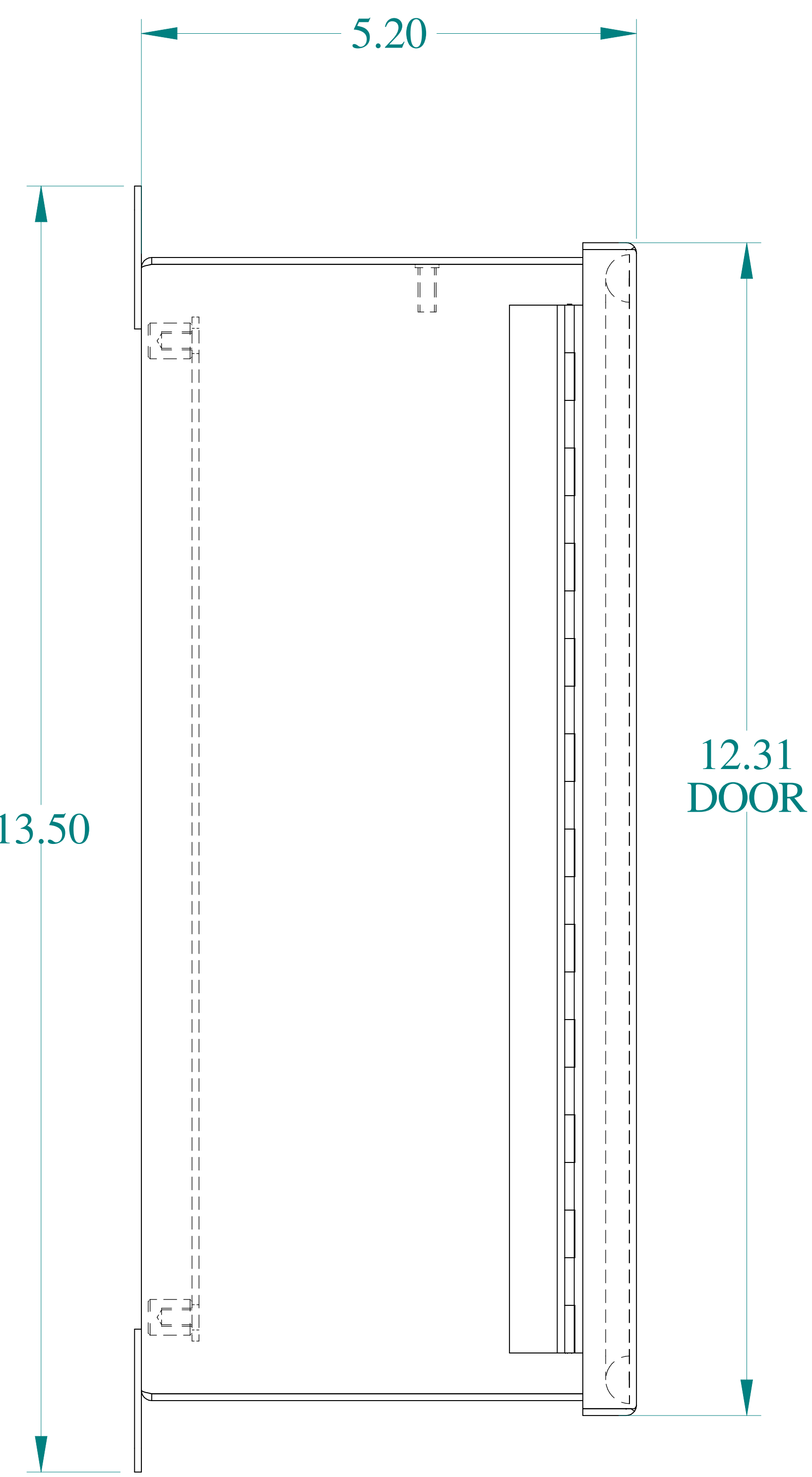


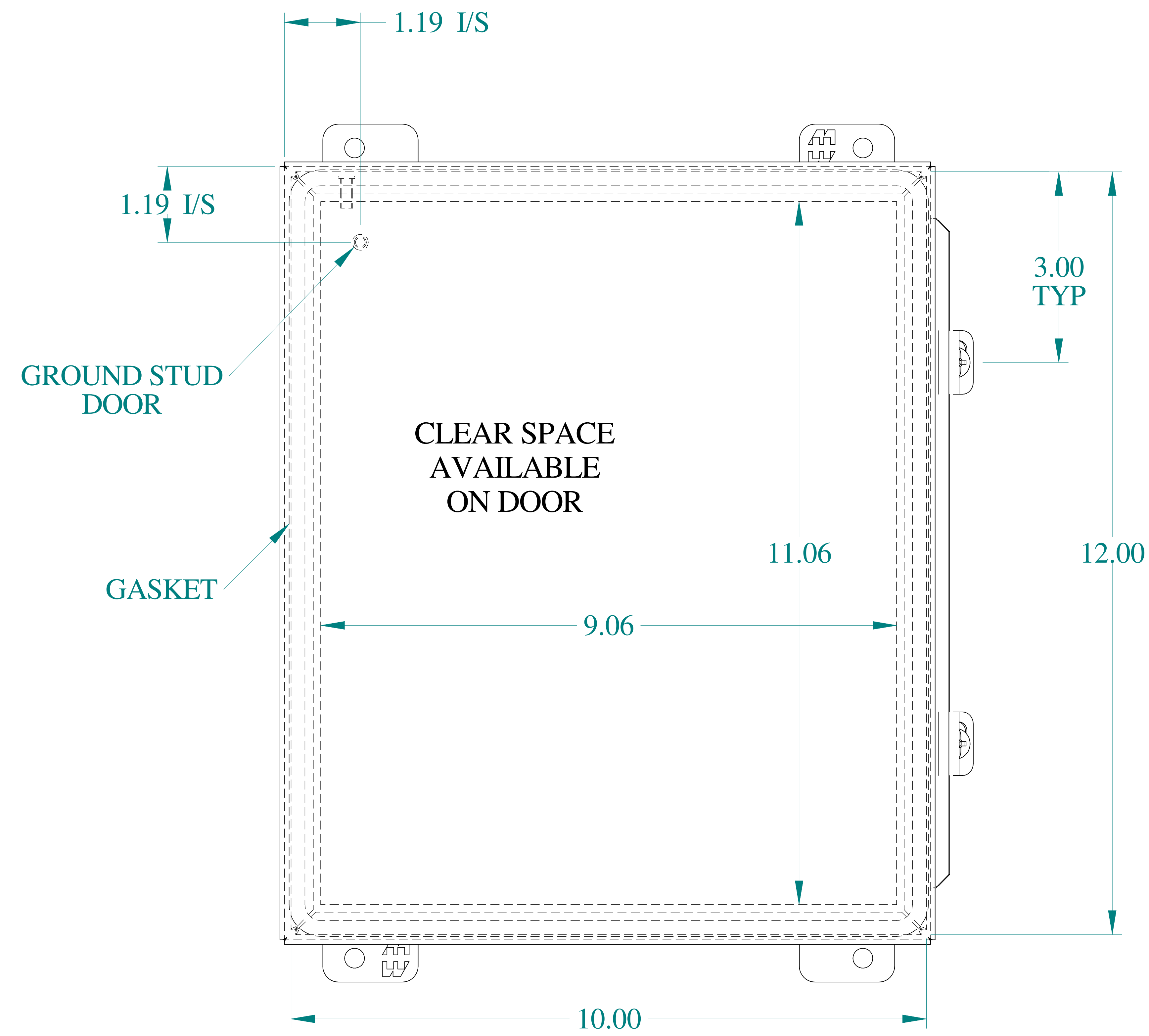
TOP VIEW



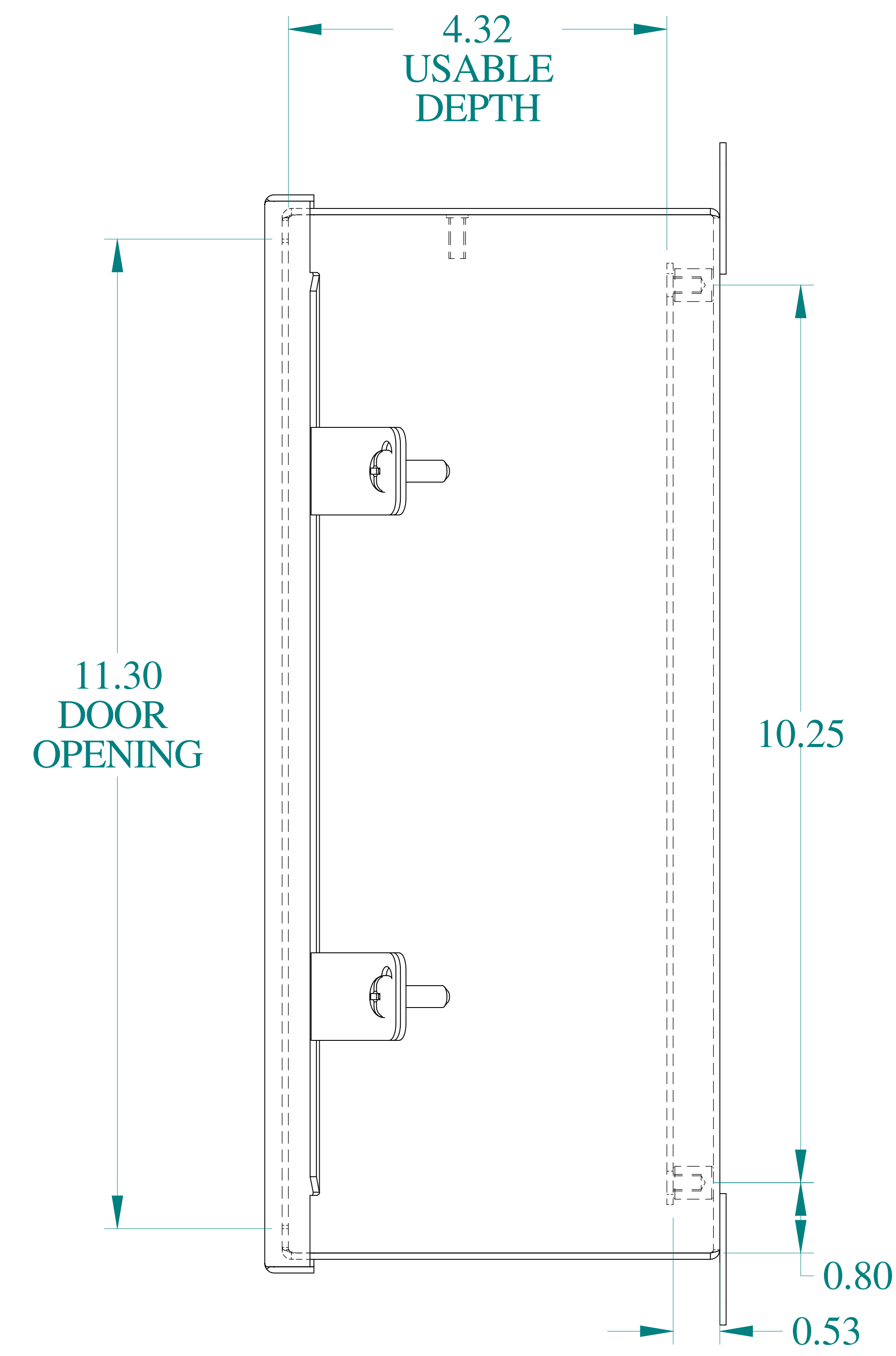
ISOMETRIC VIEWS



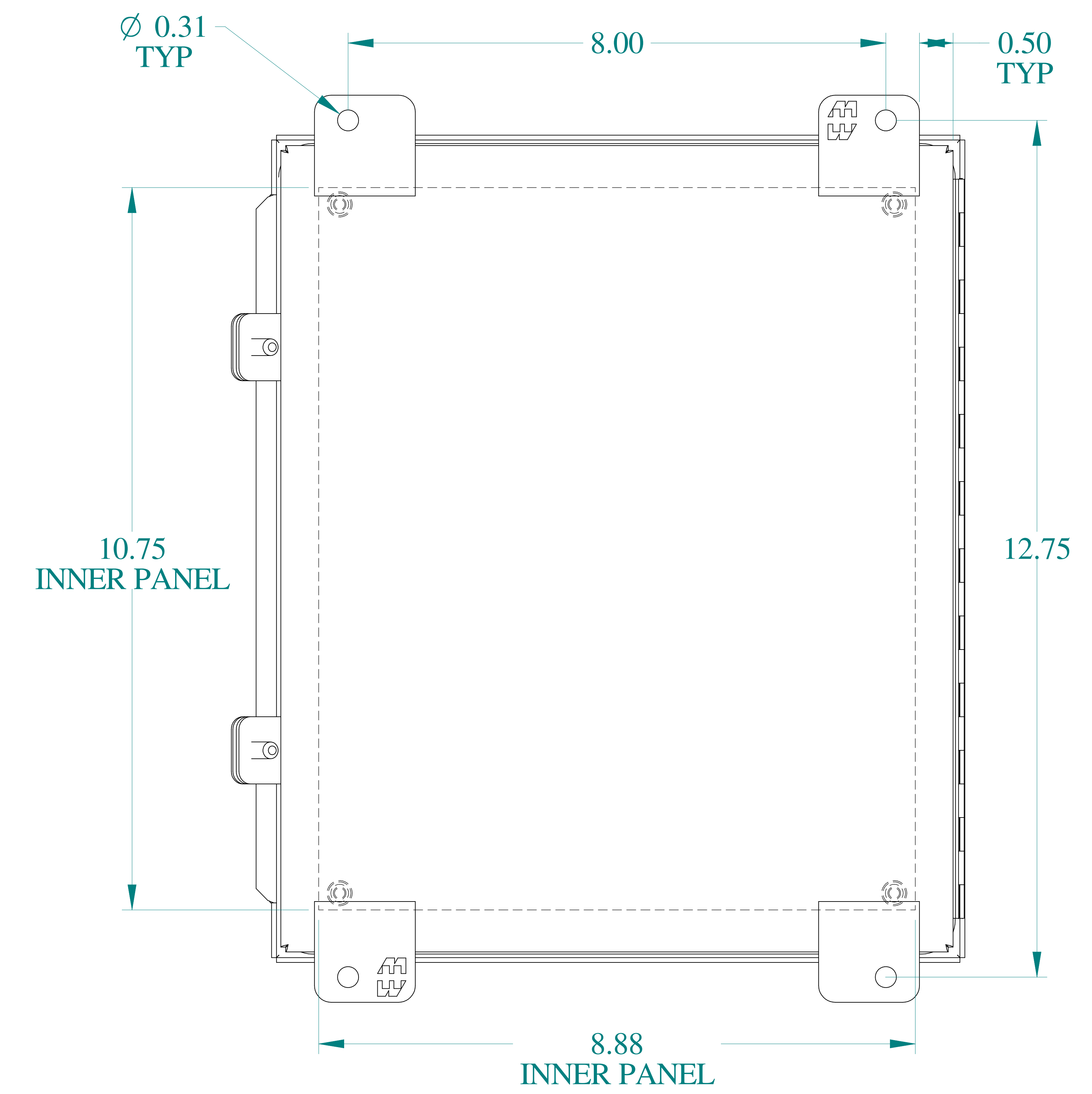
SIDE VIEW



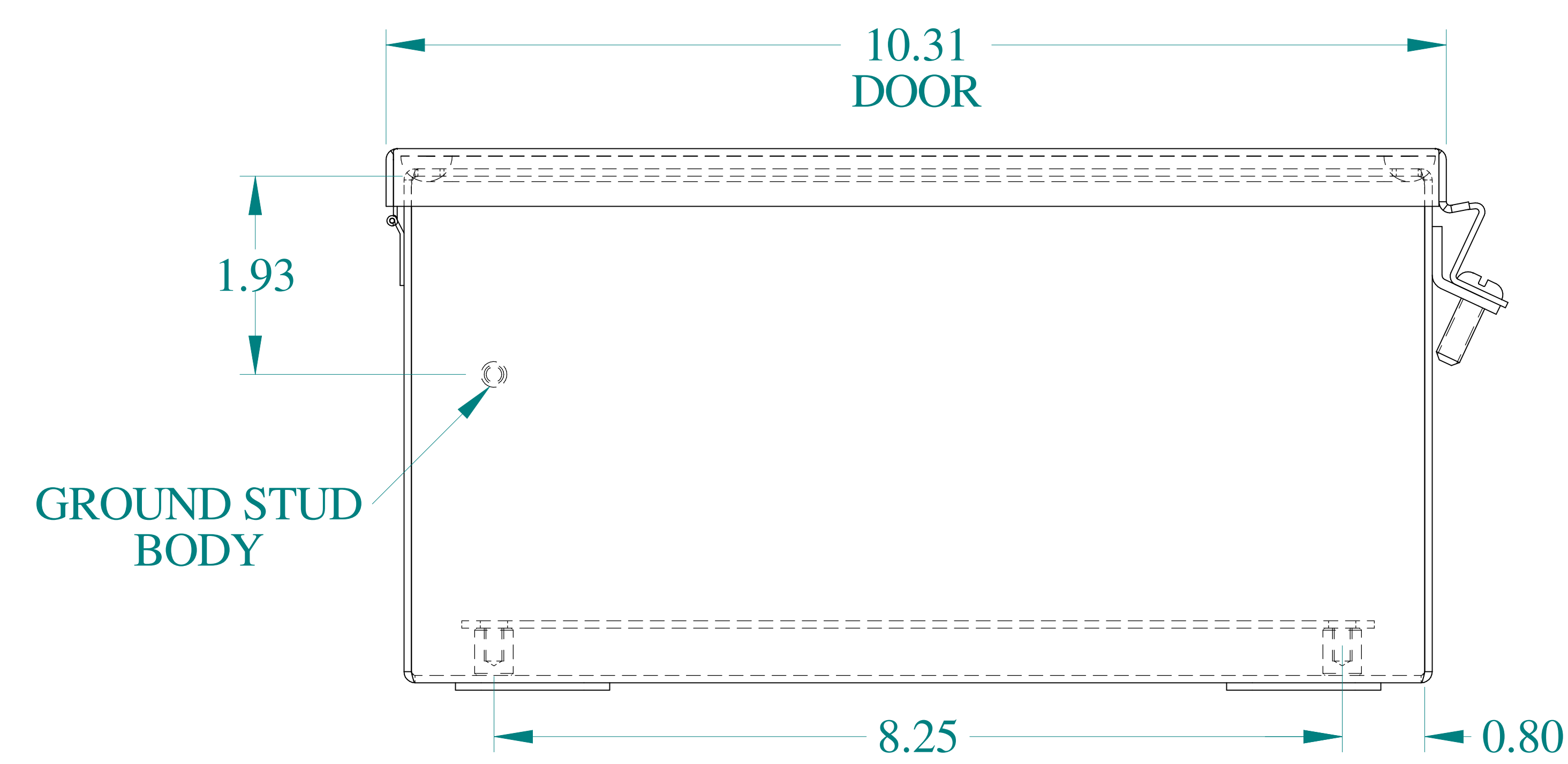
FRONT VIEW



SIDE VIEW



BACK VIEW



BOTTOM VIEW



Data subject to change without notice.

Part #: 1414N4PHS16K Date: Mar. 25, 2019

Link: [www.hammg.com/1414N4PHS16K](http://www.hammg.com/1414N4PHS16K)