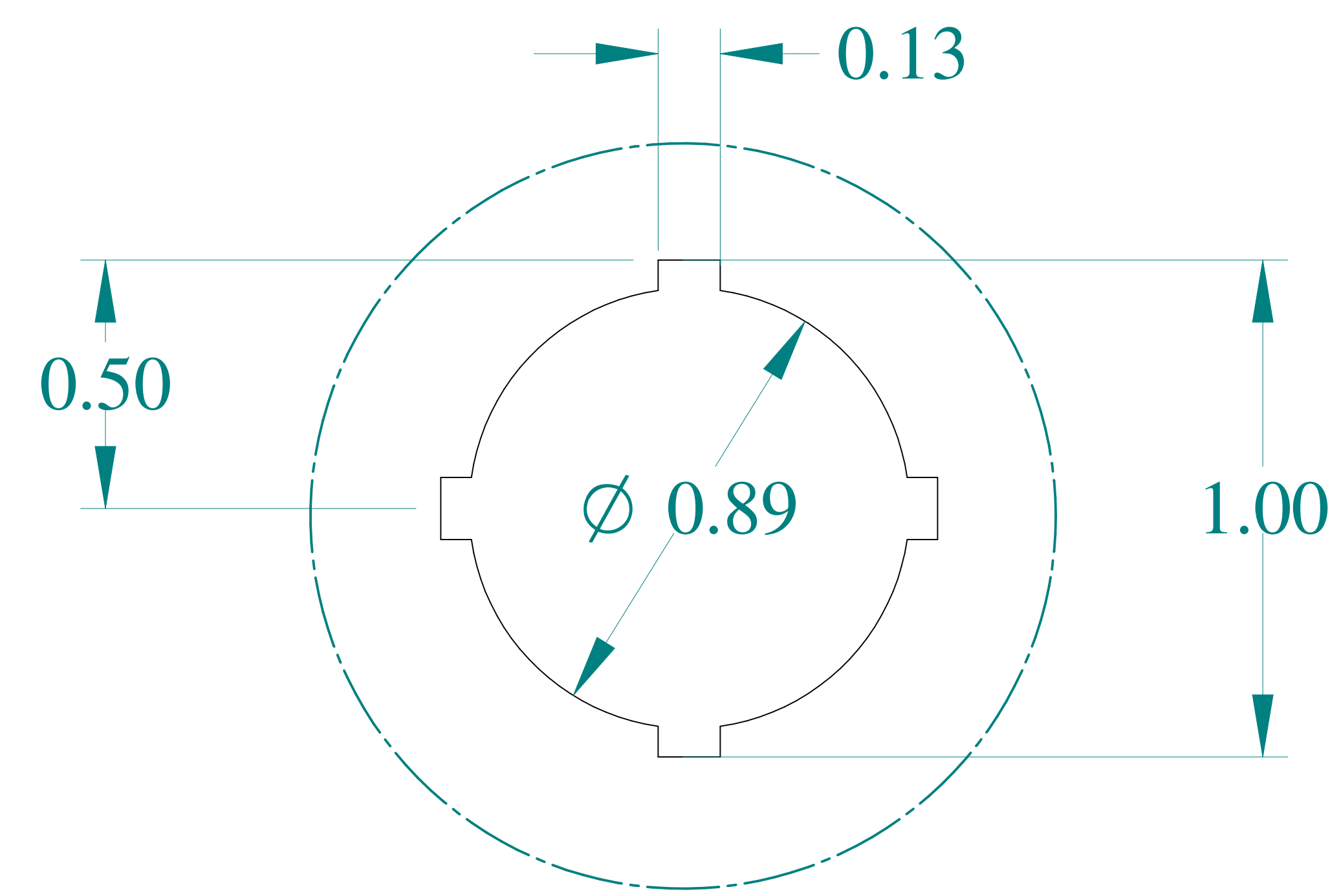
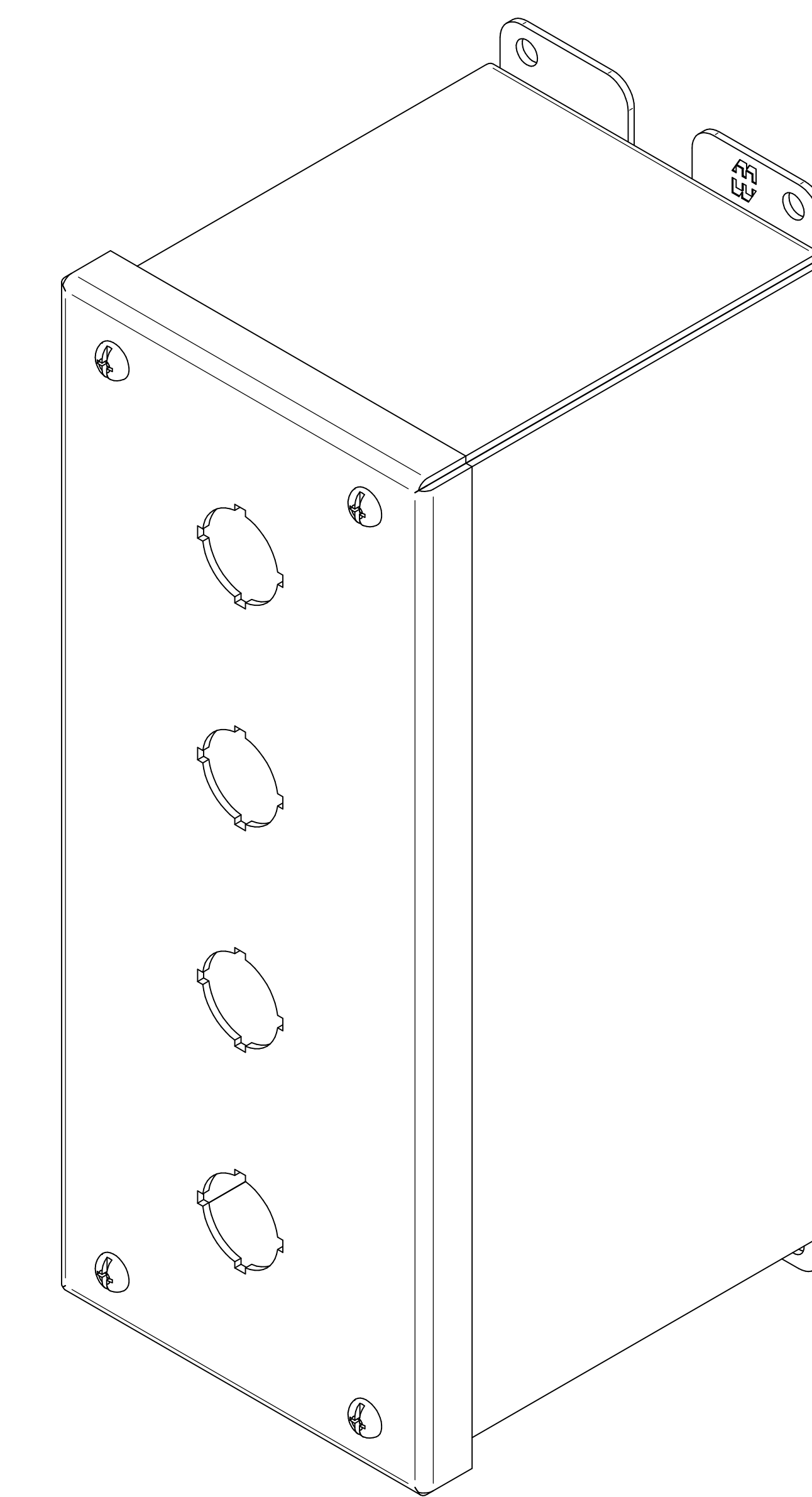


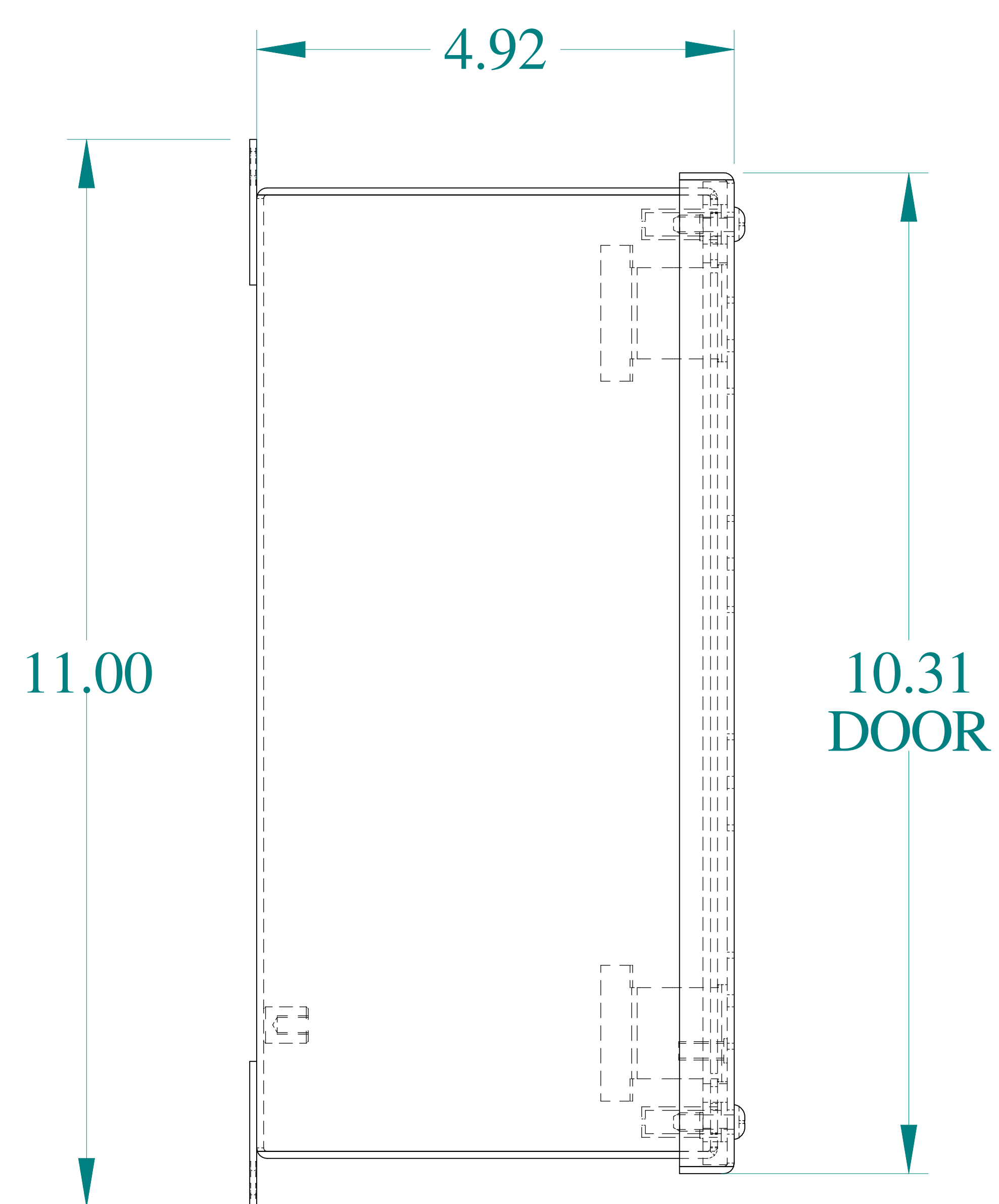
TOP VIEW



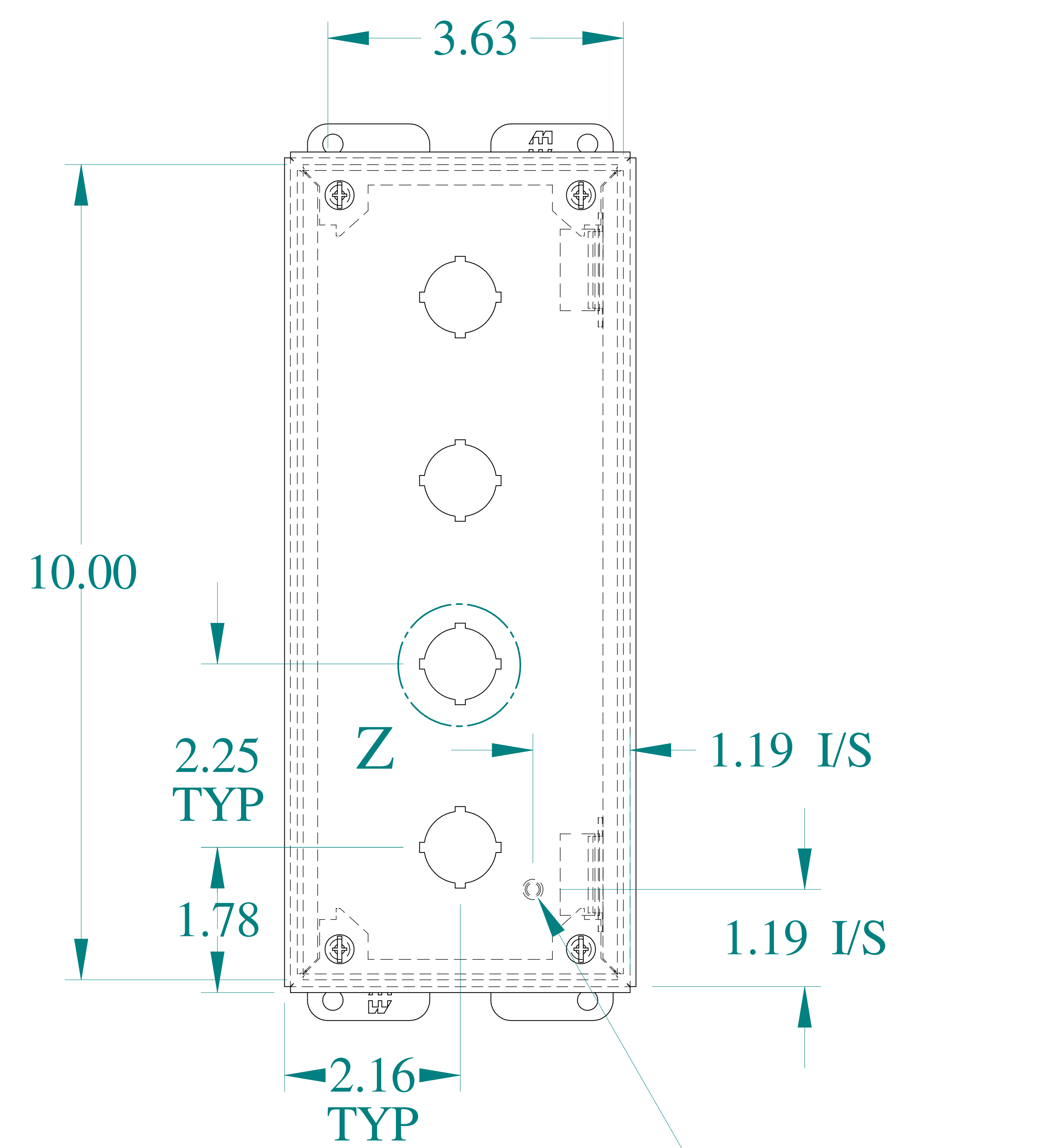
DETAIL Z
TYP



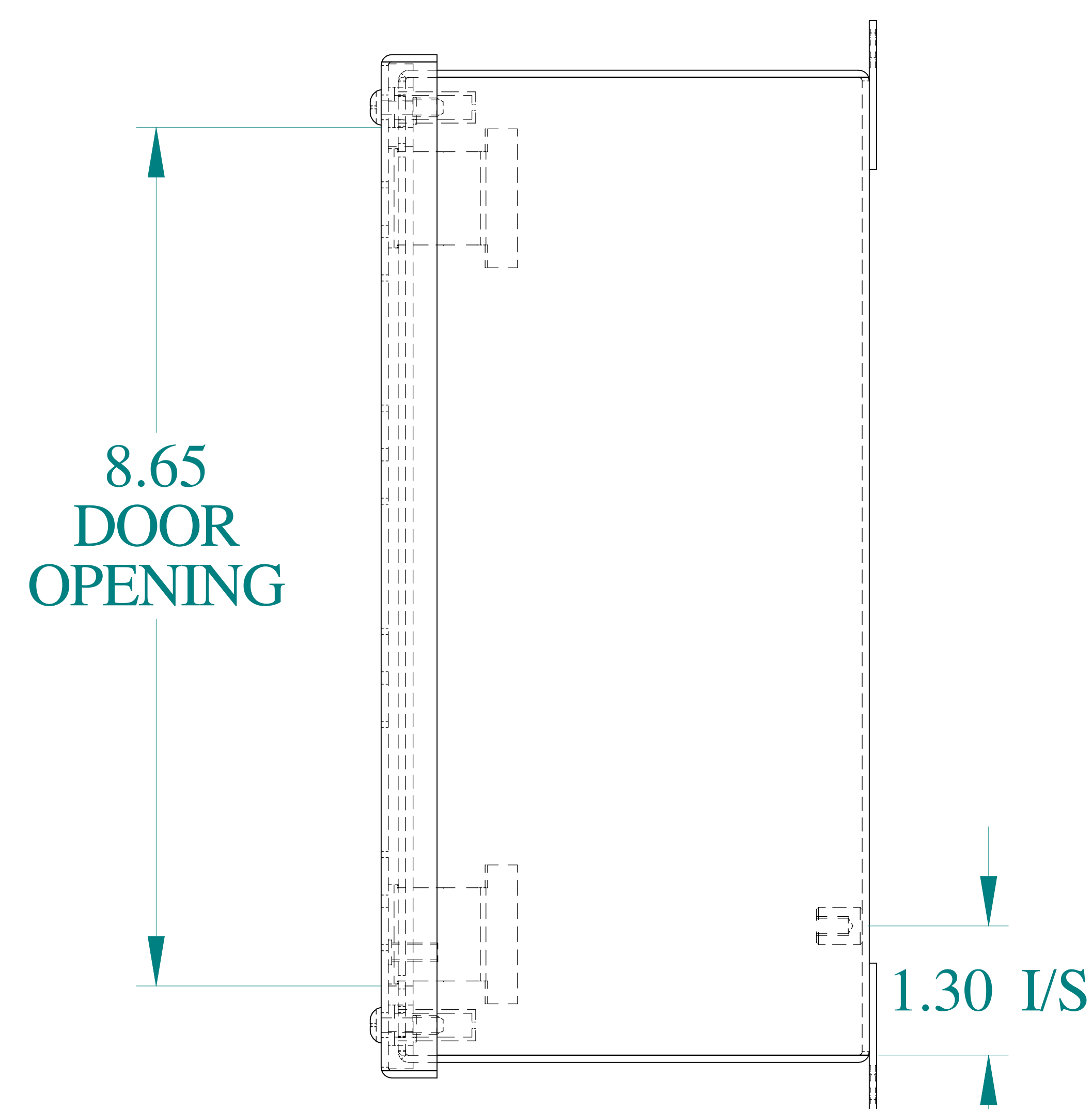
ISOMETRIC VIEWS



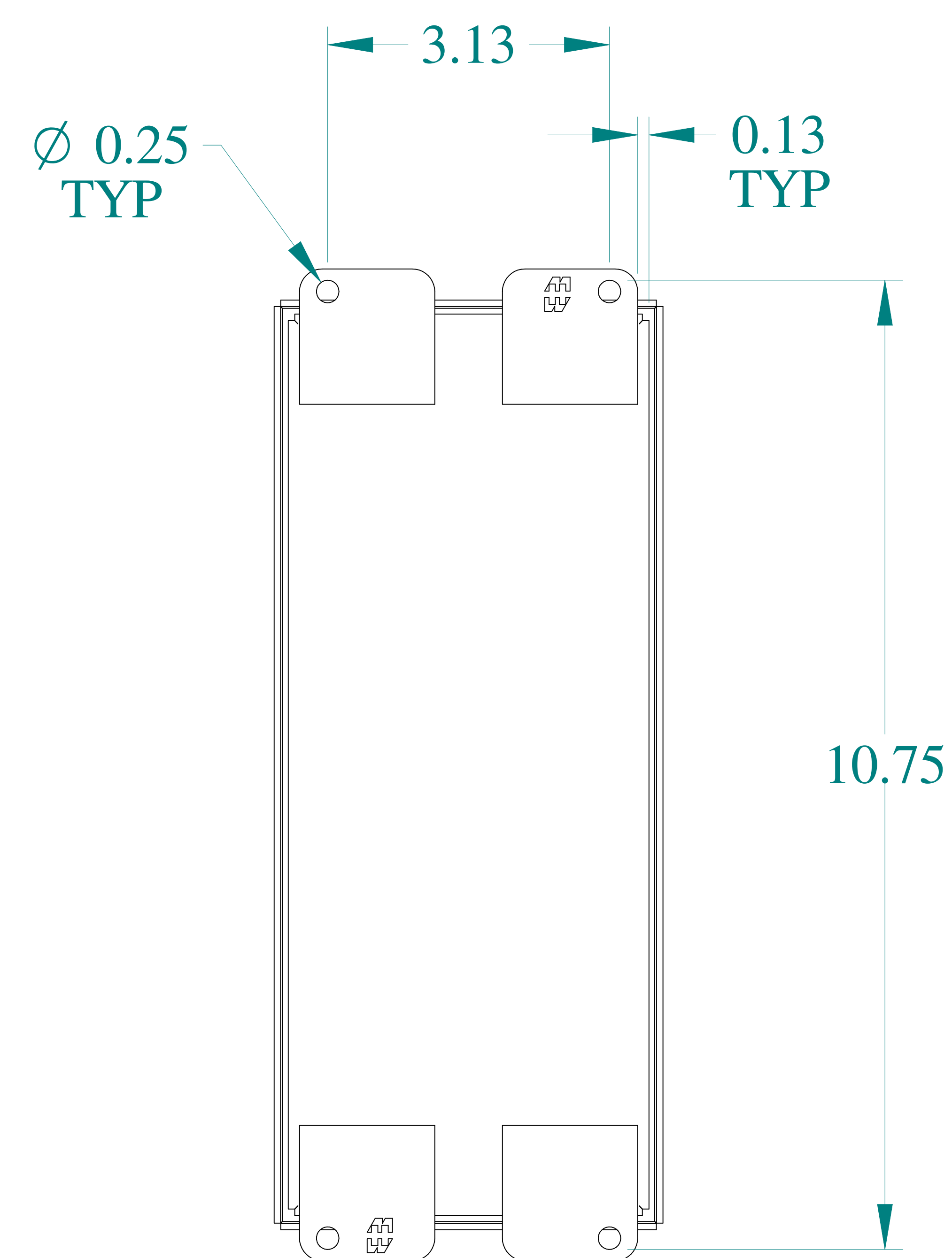
SIDE VIEW



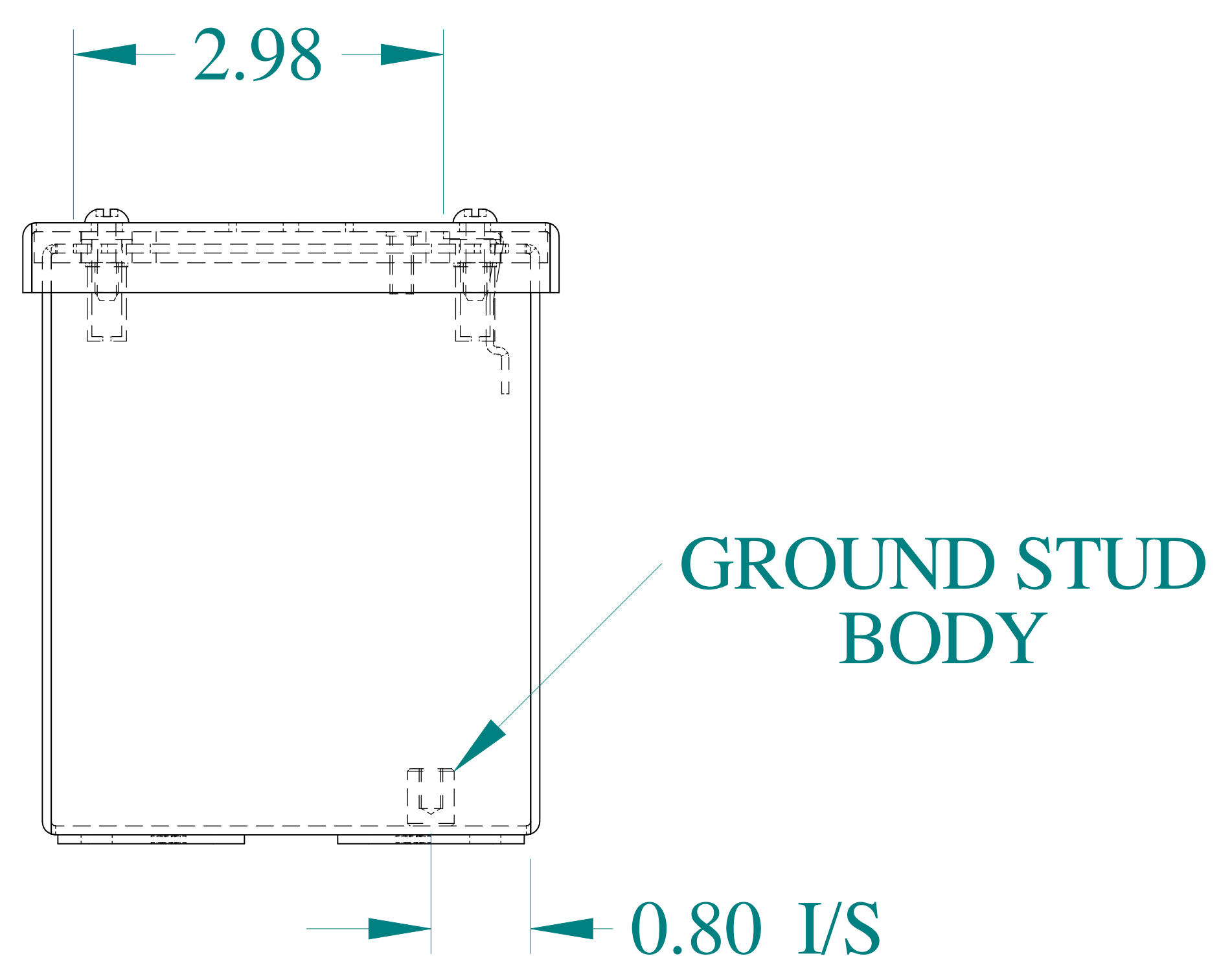
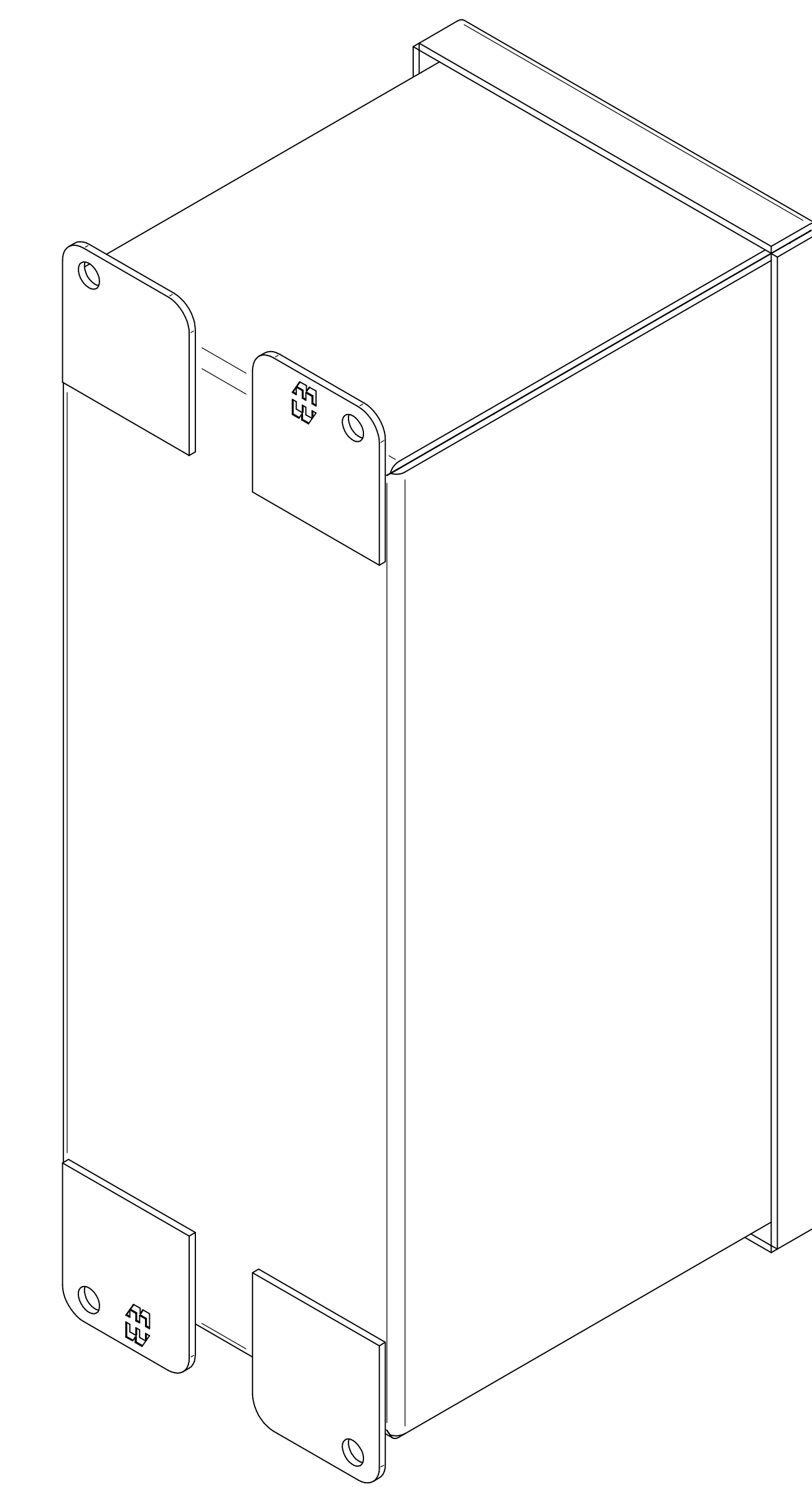
FRONT VIEW



SIDE VIEW



BACK VIEW



BOTTOM VIEW

**HAMMOND
MANUFACTURING**[®]

www.hammondmfg.com

Data subject to change without notice.

Part # : 1437MS16D Date : Mar. 24, 2019

Link: www.hammg.com/1437MS16D