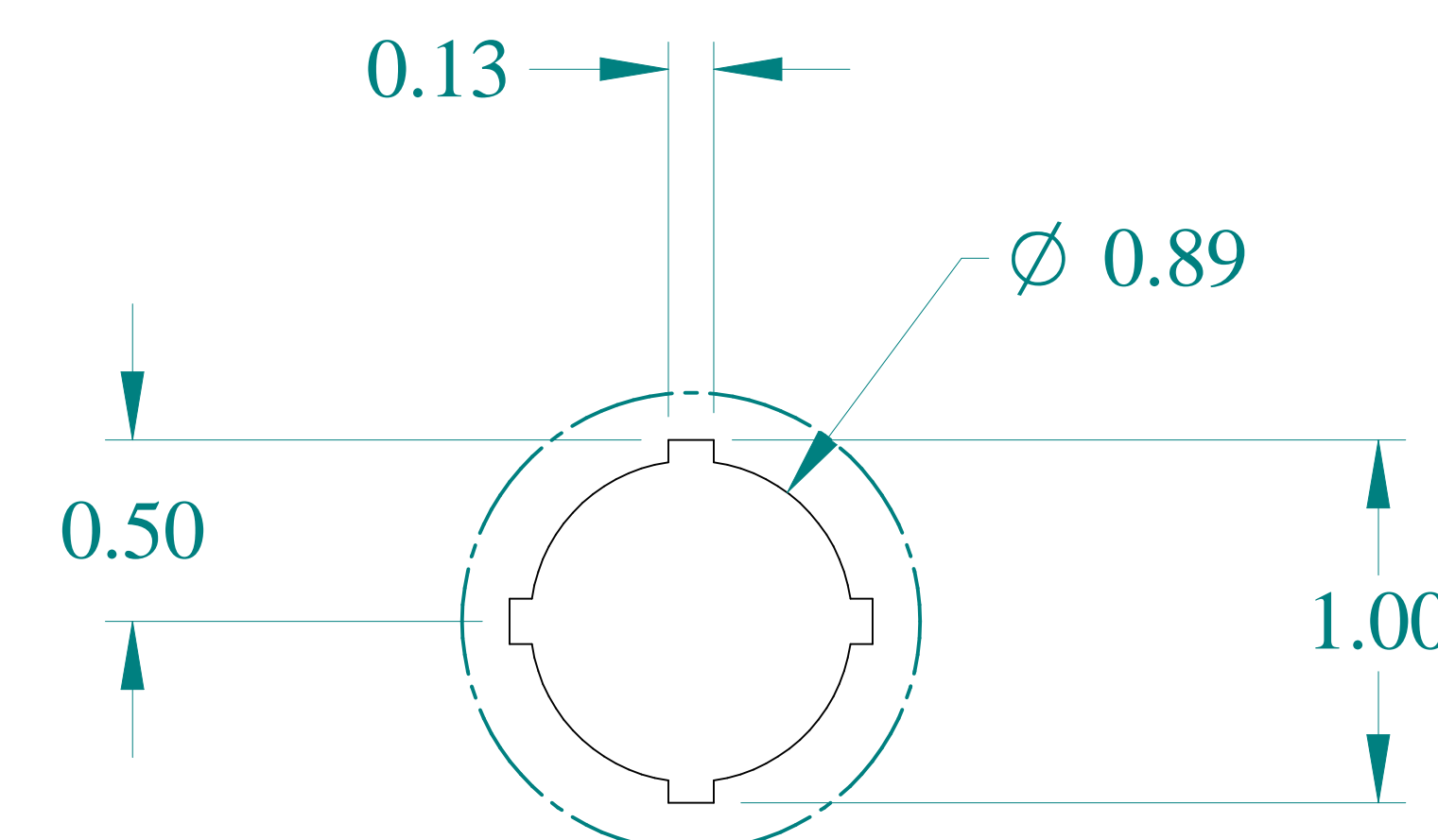
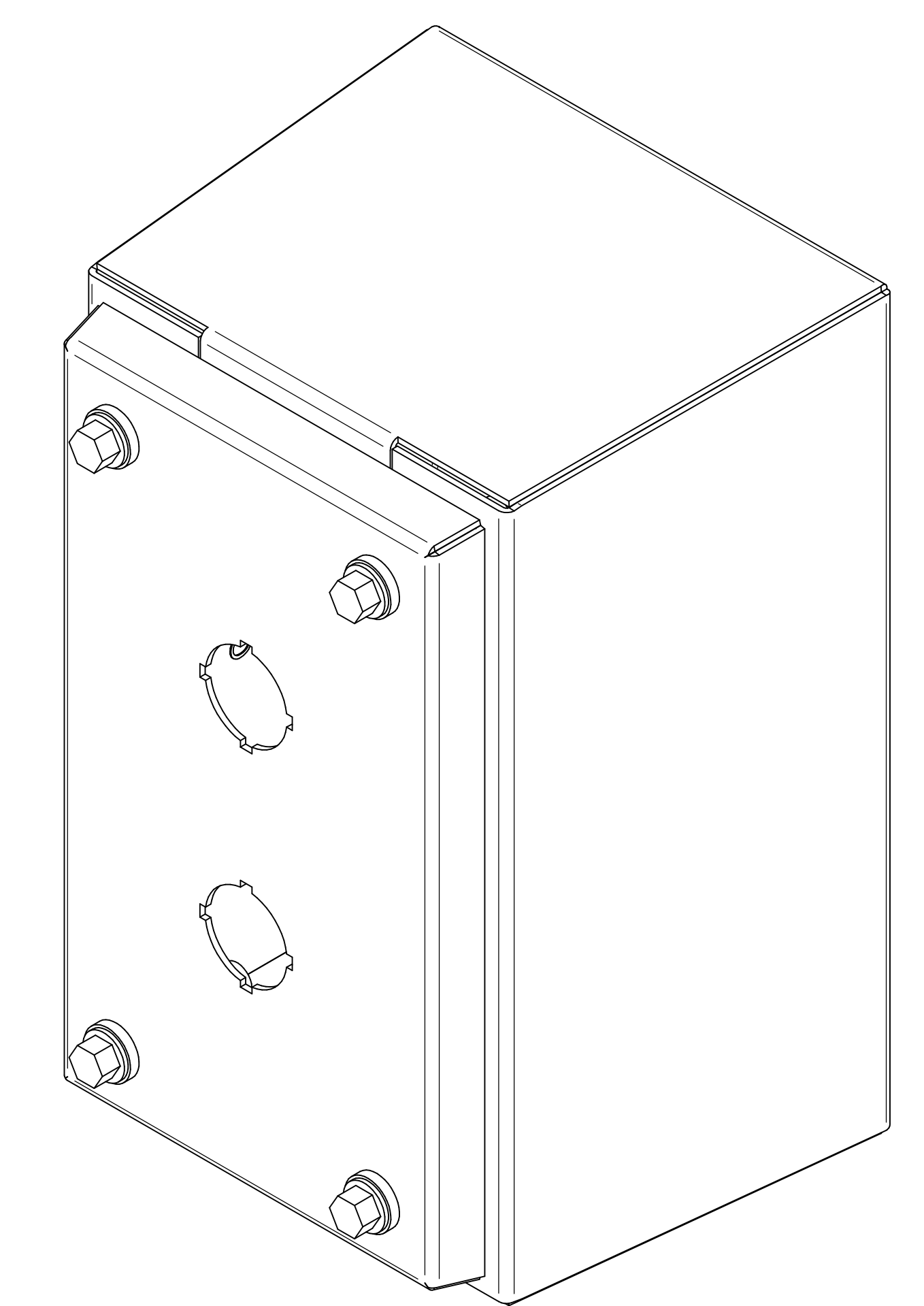


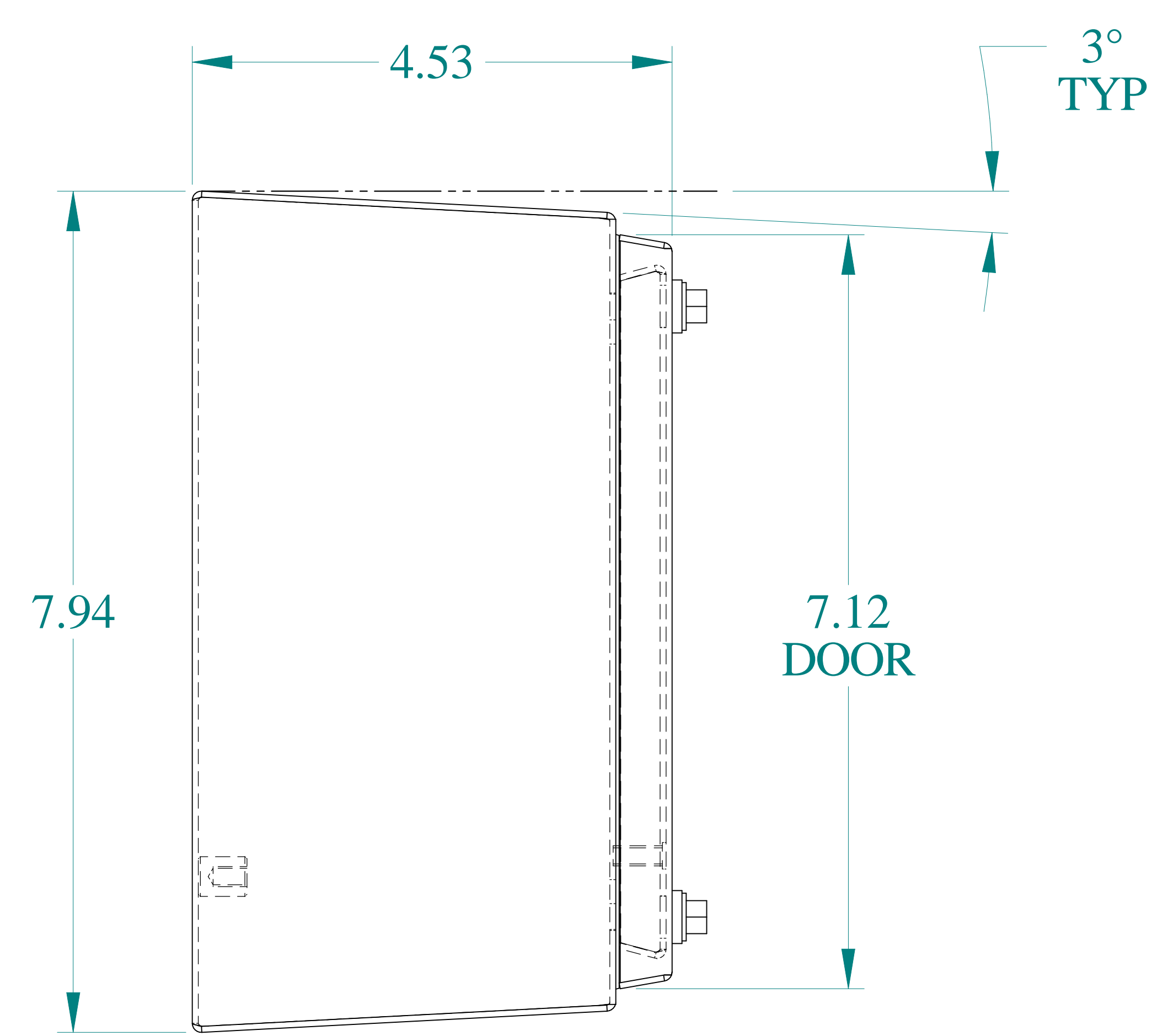
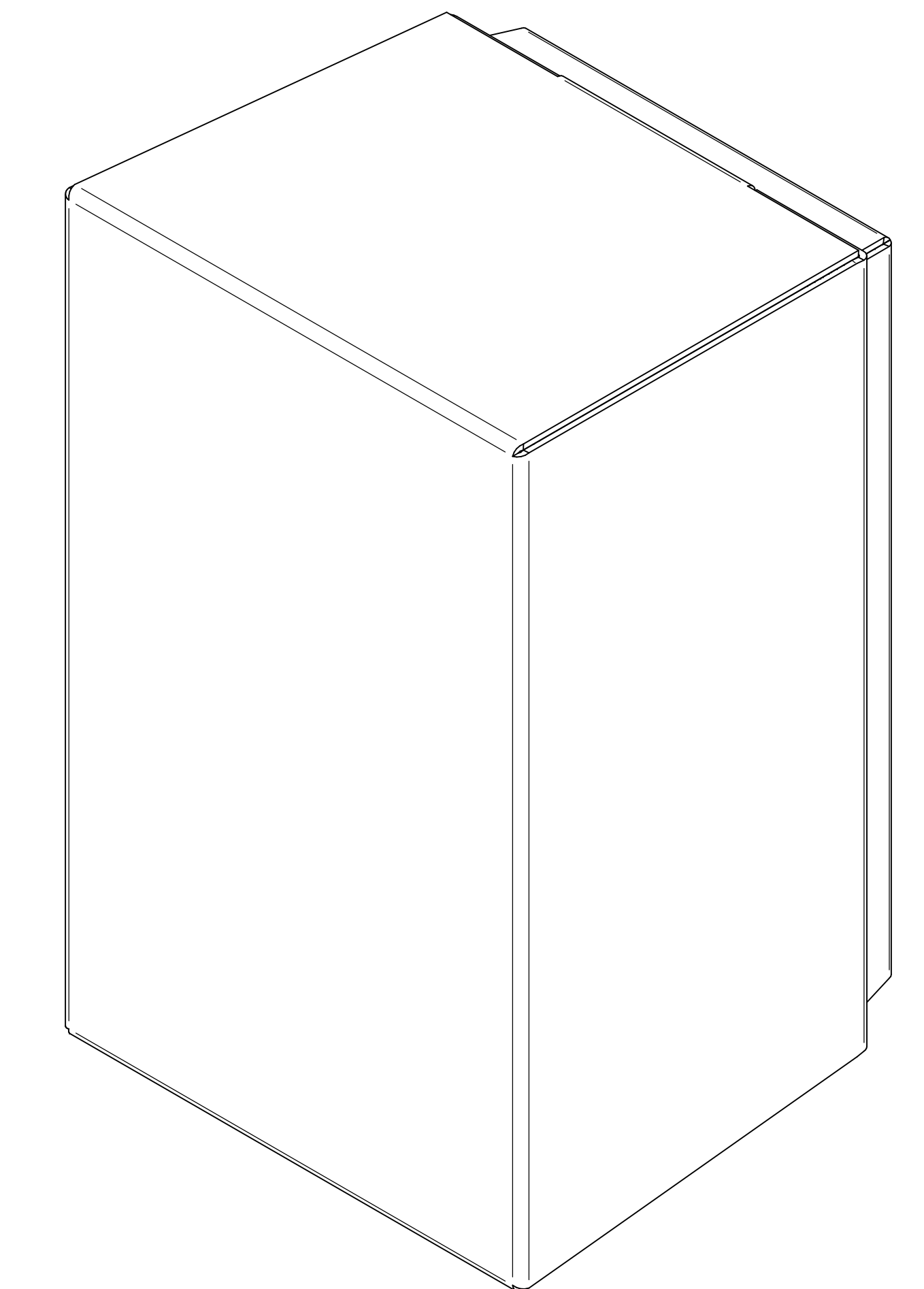
TOP VIEW



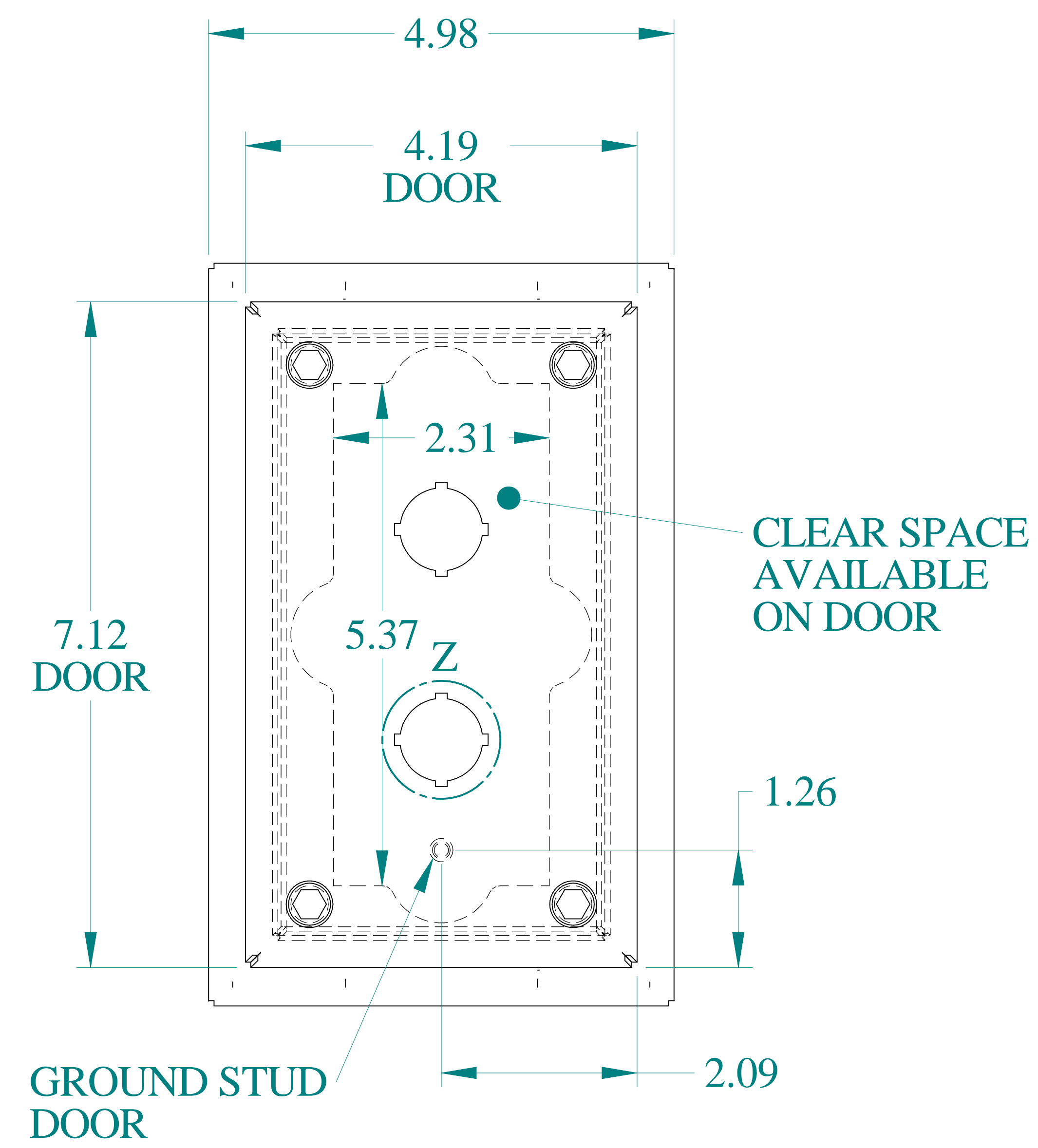
DETAIL Z



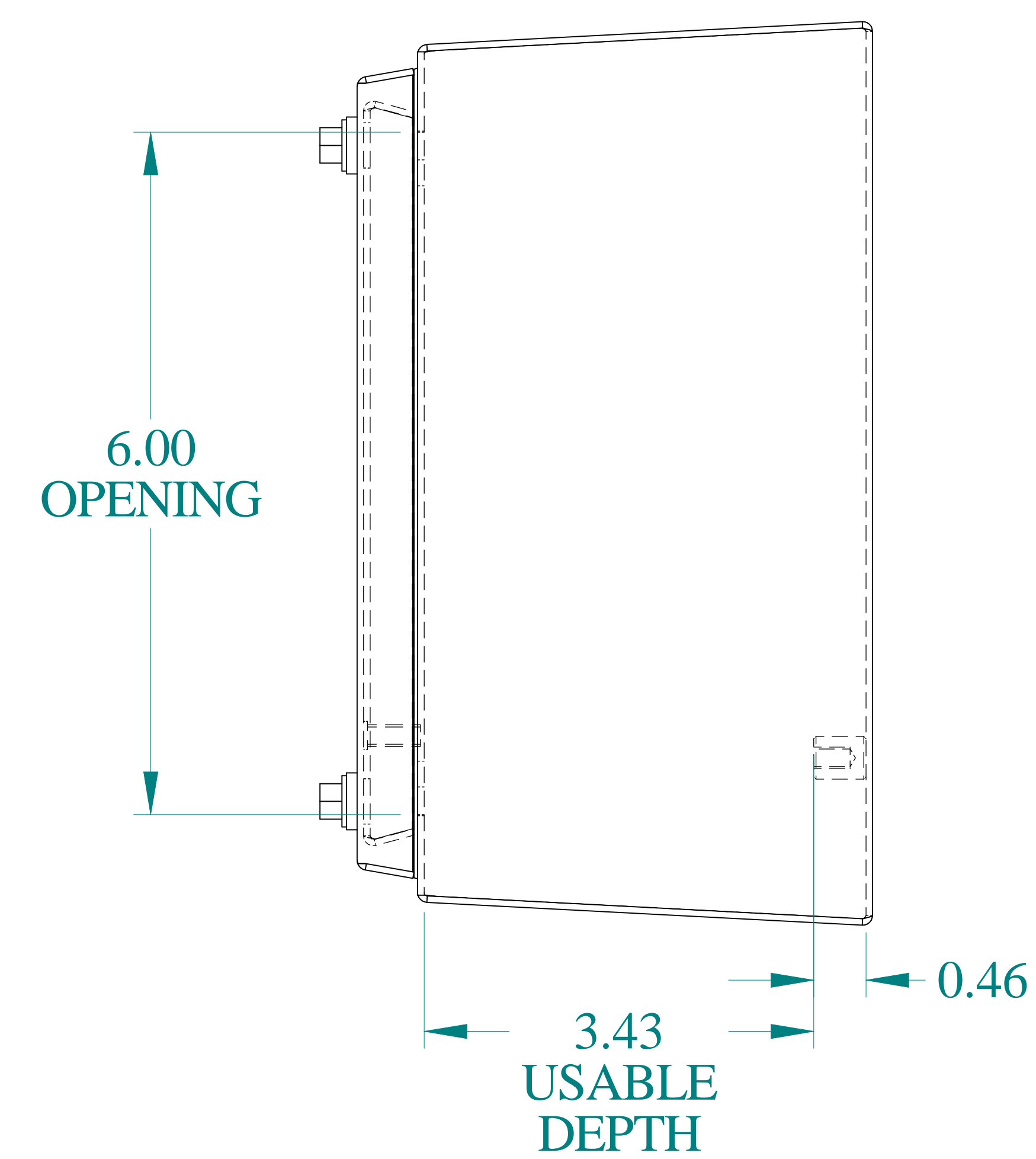
ISOMETRIC VIEWS



SIDE VIEW

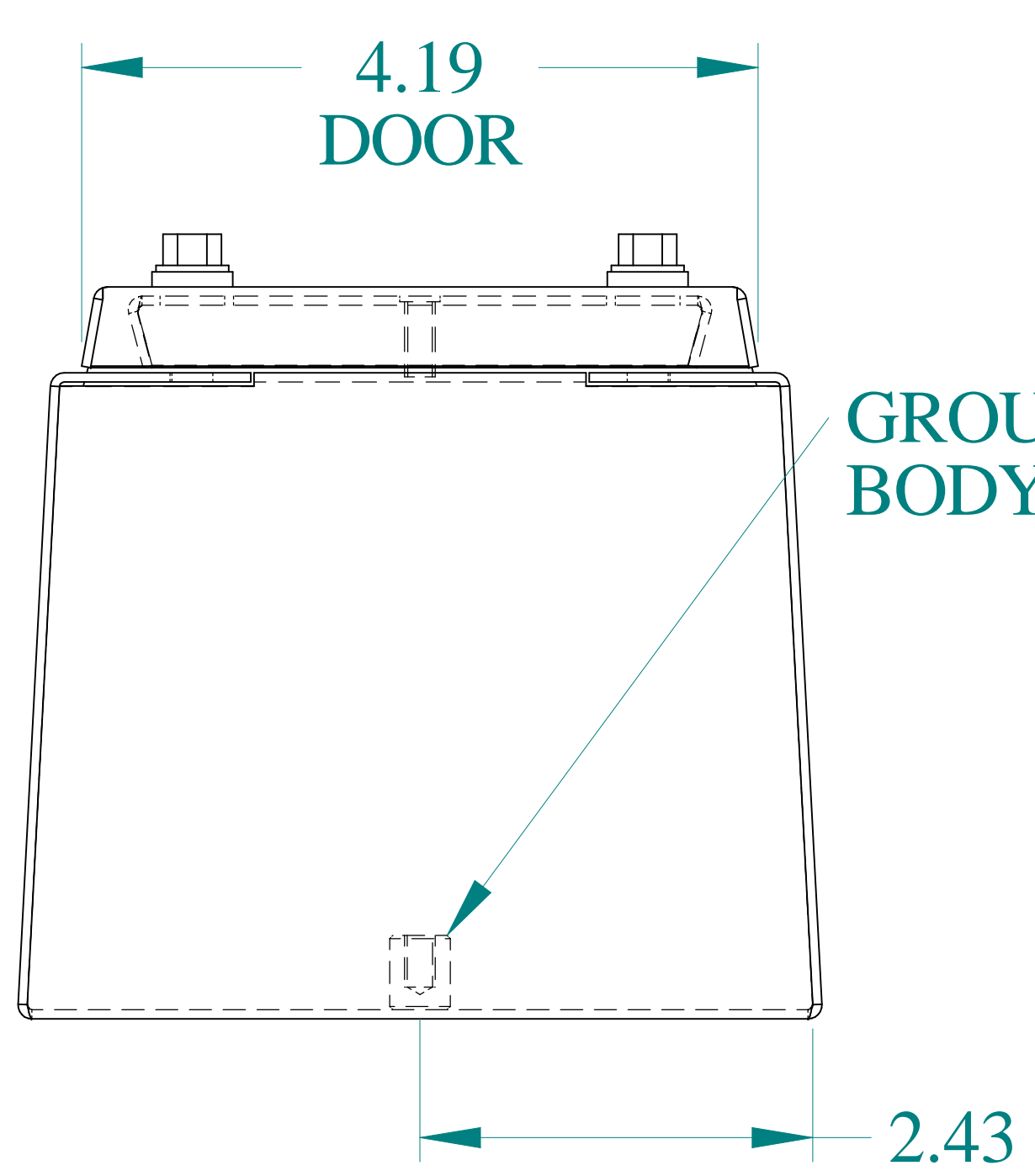


TOP VIEW



SIDE VIEW

GROUND STUD DOOR



BOTTOM VIEW

GROUND STUD BODY