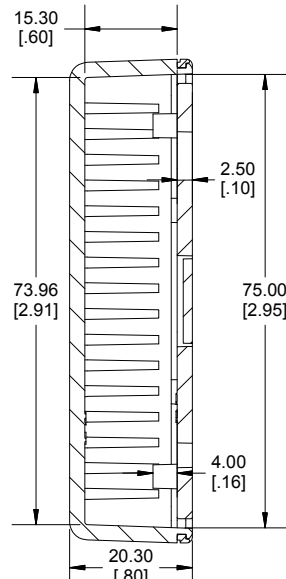
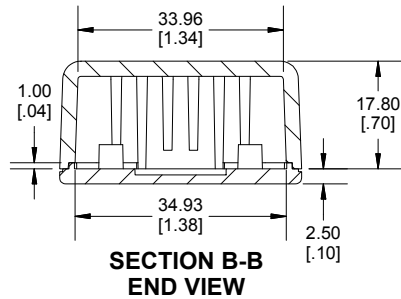


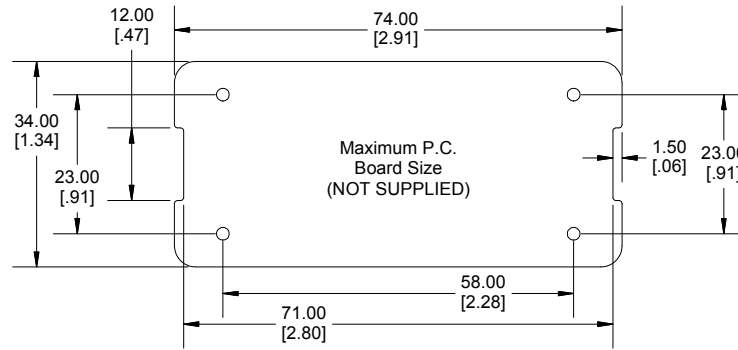
TOP VIEW



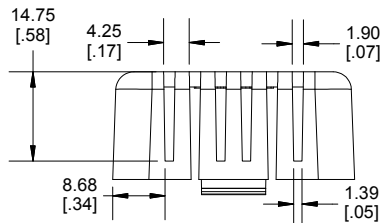
SECTION A-A
SIDE VIEW



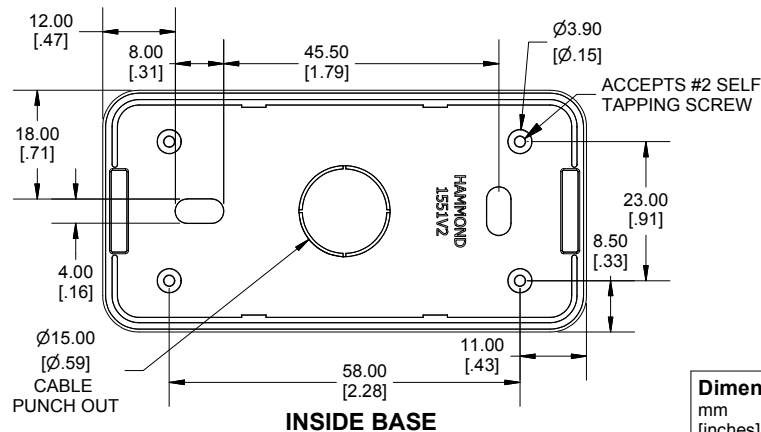
SECTION B-B
END VIEW



Maximum P.C.
Board Size
(NOT SUPPLIED)



END VIEW
COVER



INSIDE BASE

Enclosures can be Factory Modified (Milling, Drilling, Printing etc.)
Contact Factory (modshop@hammondmg.com) for quotes
Solid models of this enclosure available in STEP or IGES.
(Part number and text placement/orientation on our products are subject to change,
we do not recommend using them as a locating reference for modification purposes)

NOTE

Purchased assembly includes snap together base and cover. Enclosure molded from general purpose ABS Plastic.
Other materials / colours available consult factory.

Recommended Torque : (35-43) Ozf.in / (25-30) cN.m

PART NUMBERS

1551V2 Enclosure

Black Enclosure - UL94 - HB 1551V2BK

Gray Enclosure - UL94 - HB 1551V2GY

White Enclosure - UL94 - HB 1551V2WH

ACCESSORIES

P.C. Board Plastite Self Tapping Screw
[#2 x 3/16" self-tapping (4.8mm)] 1553WTS100 (Pkg 100)

Dimensions:
mm
[inches]

**HAMMOND
MANUFACTURING**

1551V2

www.hammondmg.com