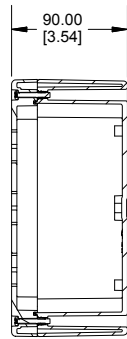
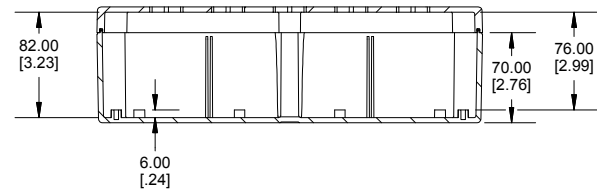
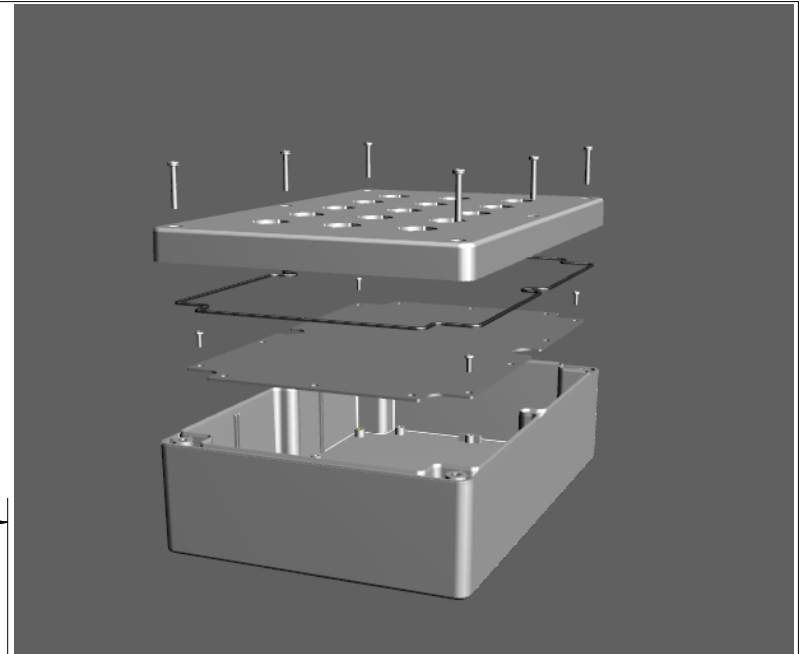


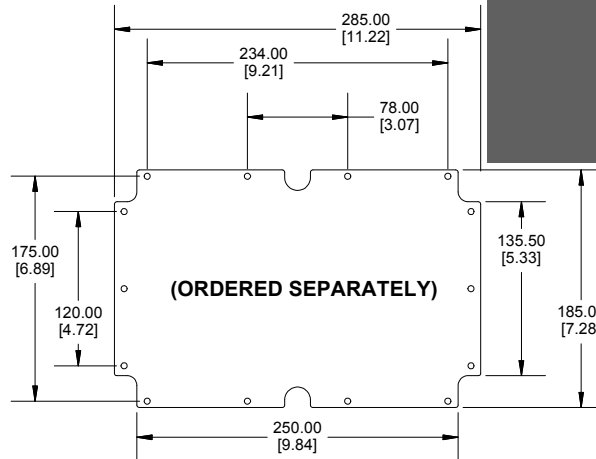
ASSEMBLY



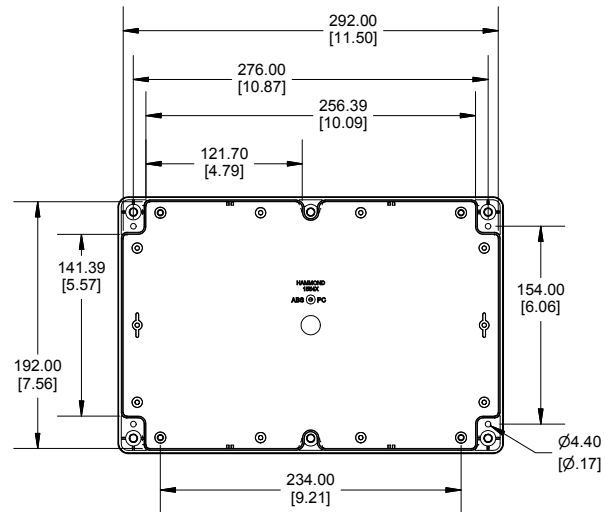
SECTION A-A



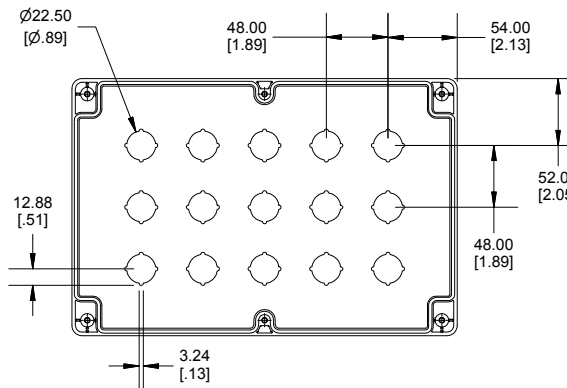
SECTION B-B



STEEL INNER PANEL



BOX - INSIDE



LID - INSIDE

Dimensions:
mm
[inches]

SEE ENCLOSURE 1554X
FOR MORE DETAIL

POLYCARBONATE
VERSION ONLY
 US LISTED
 FILE #E65324
 TYPE 4,4X,6,6P

NOTE
 Purchased assembly includes box, lid, 6 cover screws, and preformed silicone gasket.
 Polycarbonate version is UL 508A approved. (Matl UL94 - 5VA @ 3mm)
 Lid accepts 22.5mm push buttons
Recommended Cover screw torque -- 8-9 lbf-in (90-100 cN-m)

1554MPB	
1554MPB Enclosure	
Polycarbonate RAL-7035	1554MPB15
ACCESSORIES	
Steel Inner Panels	1554XPL
Steel Panel / P.C. Board (Pkg 100) [M3-0.5 x 8mm Plated]	1591MM100
Steel Panel / P.C. Board Self Tapping Screw [#8 X 5/16" (8mm) Plated] (Pkg 100)	SC554-100
Cover Screws (Pkg 50) [M4-0.7 X 25mm Stainless Steel]	SC583-50



**HAMMOND
MANUFACTURING**

1554MPB15

www.hammondmfg.com