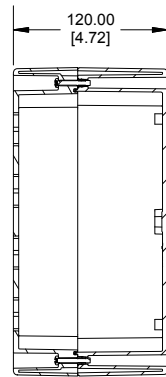
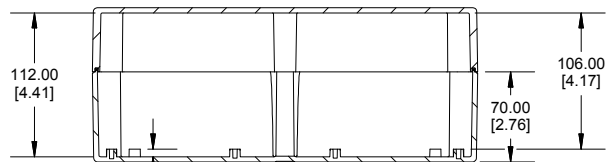
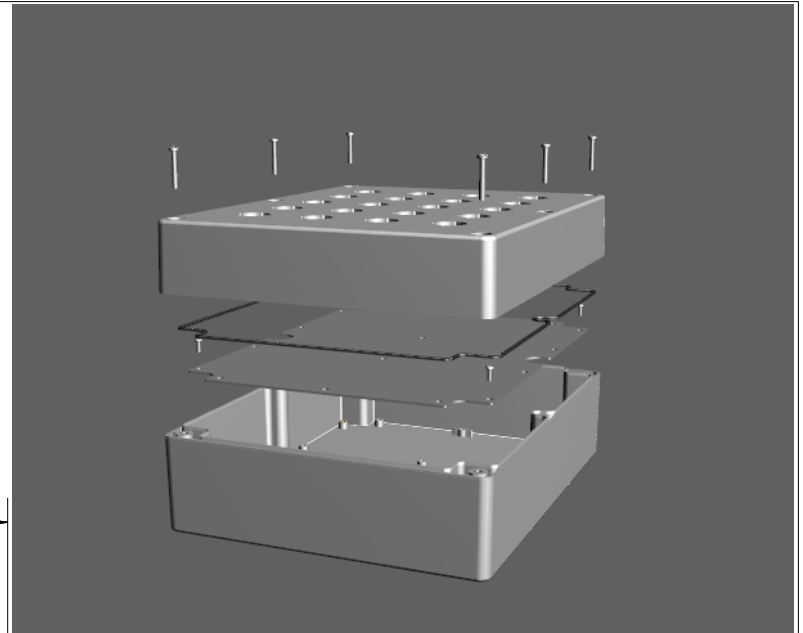


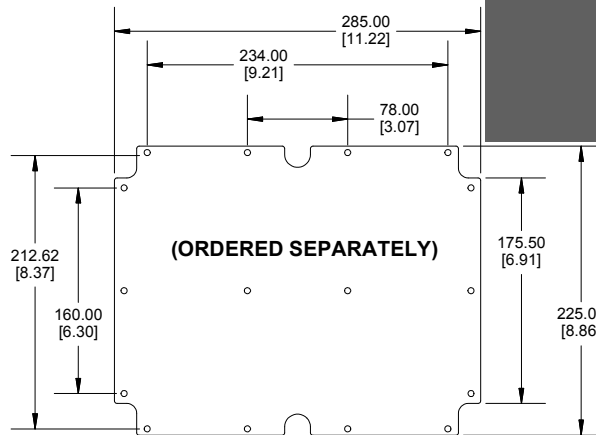
**ASSEMBLY**



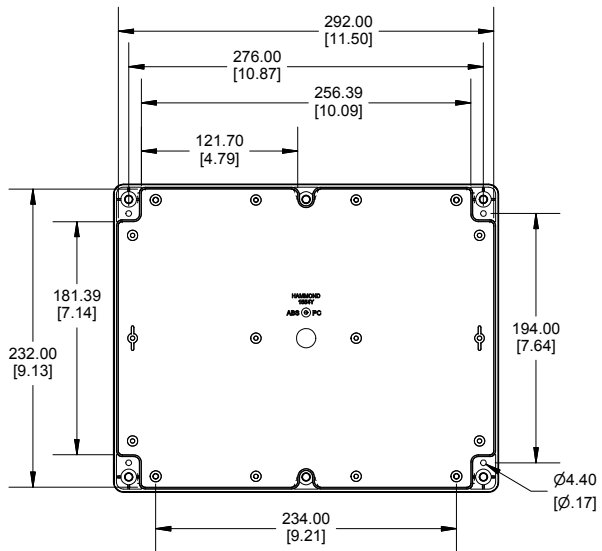
**SECTION A-A**



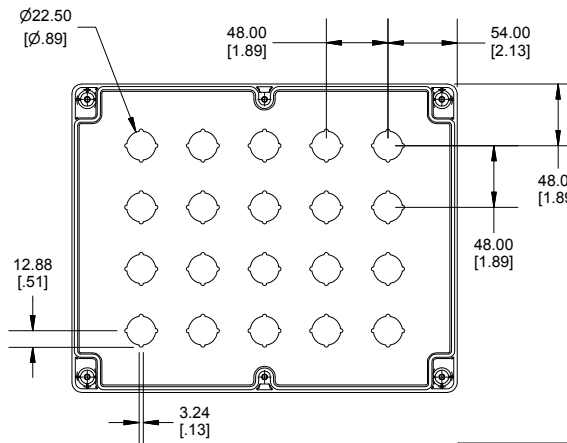
**SECTION B-B**



**STEEL INNER PANEL**



**BOX - INSIDE**



**LID - INSIDE**

**Dimensions:**  
mm  
[inches]

SEE ENCLOSURE 1554YA  
FOR MORE DETAIL

POLYCARBONATE  
VERSION ONLY



**NOTE**  
Purchased assembly includes box, lid, 6 cover screws, and preformed silicone gasket.  
Polycarbonate version is UL 508A approved. (Matl UL94 - 5VA @ 3mm)  
Lid accepts 22.5mm push buttons  
**Recommended Cover screw torque -- 8-9 lbf-in (90-100 cN-m)**

<b>1554MPB</b>	
<b>1554MPB Enclosure</b>	
Polycarbonate RAL-7035	1554MPB20A
<b>ACCESSORIES</b>	
Steel Inner Panels	1554YPL
Steel Panel / P.C. Board (Pkg 100) [M3-0.5 x 8mm Plated]	1591MM100
Steel Panel / P.C. Board Self Tapping Screw [#8 X 5/16" (8mm) Plated] (Pkg 100)	SC554-100
Cover Screws (Pkg 50) [M4-0.7 X 25mm Stainless Steel]	SC583-50

**1554MPB20A**  
www.hammondmfg.com