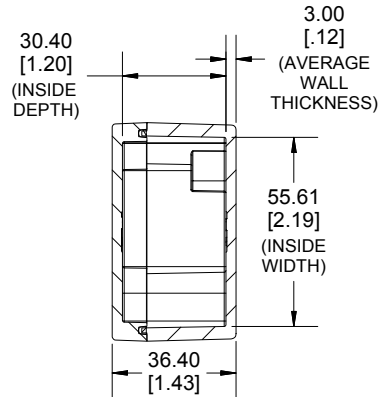
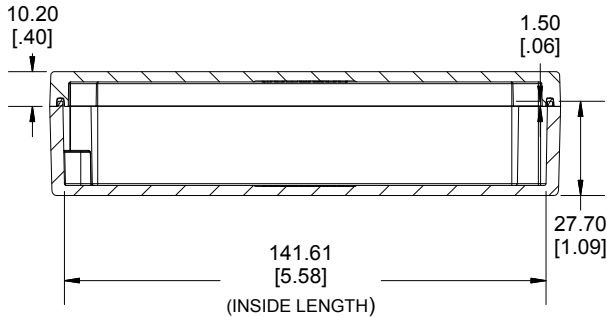
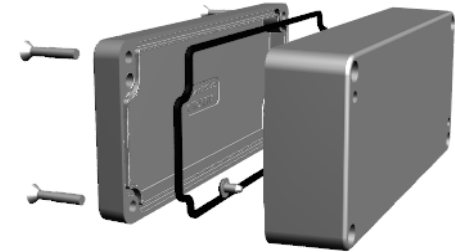


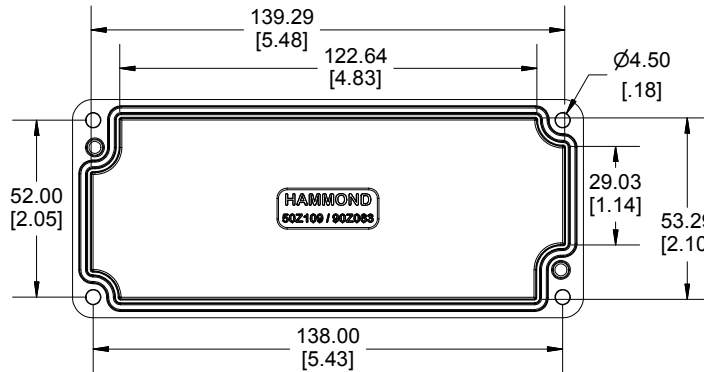
TOP VIEW



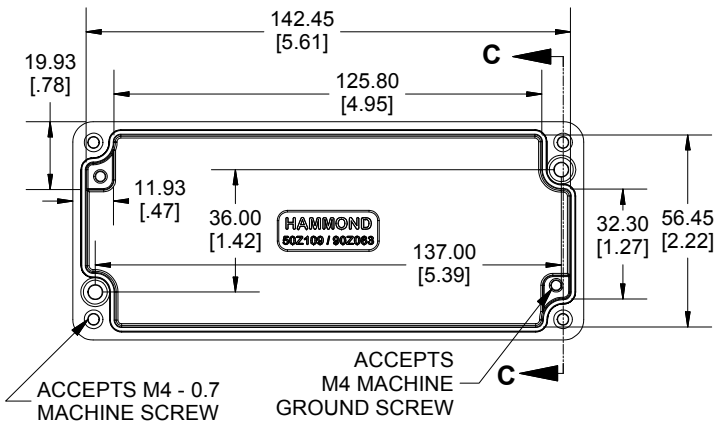
**SECTION A-A
END VIEW**



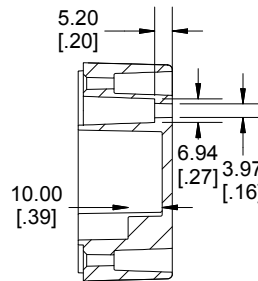
**SECTION B-B
SIDE VIEW**



INSIDE LID



INSIDE BOX



**SECTION C-C
MOUNTING HOLE**



Enclosures can be Factory Modified (Milling, Drilling, Printing etc.)
 Contact Factory mjm@hammondmfg.com for quotes
 Solid models of this enclosure available in STEP or IGES.
 (Part number and text placement/orientation on our products are subject to change,
 we do not recommend using them as a locating reference for modification purposes)

NOTE

Purchased assembly includes box, lid, silicone gasket,
 4 cover screws and 2 ground screws with washers.
 Box and lid are made from Diecast Aluminum Alloy.

Recommended cover screw Torque 5-7.5 lbf.in (50 -75 cN.m)

| 1590Z063 | |
|---|------------|
| 1590Z063 Enclosure | |
| Basic Enclosure | 1590Z063 |
| Black Enclosure | 1590Z063BK |
| Grey Enclosure - RAL7001 Gloss | 1590Z063GY |
| ACCESSORIES | |
| Pre-Formed Silicone Gasket | 1590Z063G |
| Plated Ground Hardware (6 Pack) [SCREW 6-32X1/4 PH TYPE C] | 1421J6 |

Dimensions:
mm
[inches]

**HAMMOND
MANUFACTURING**

1590Z063
www.hammondmfg.com