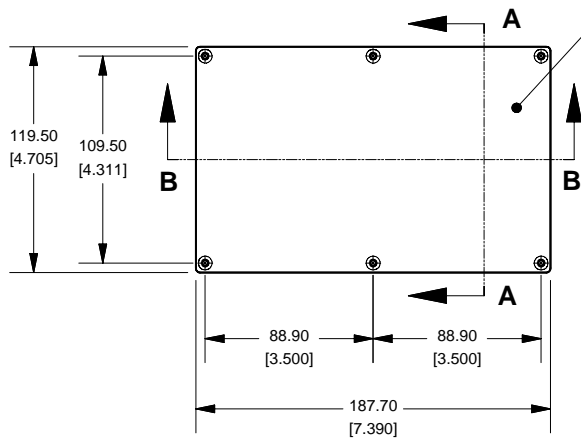
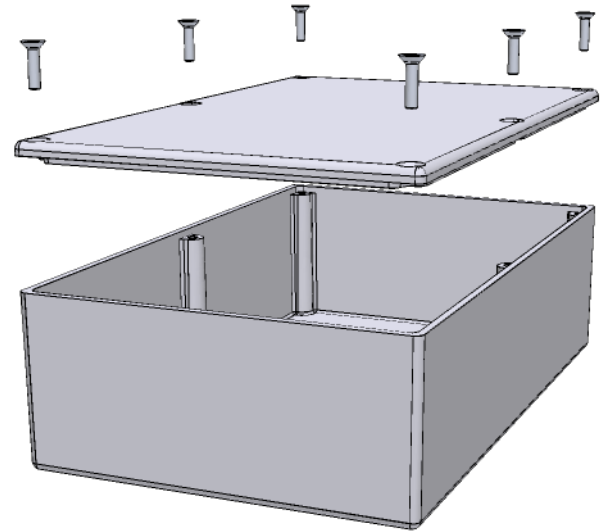
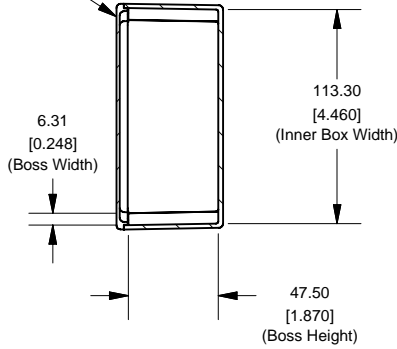


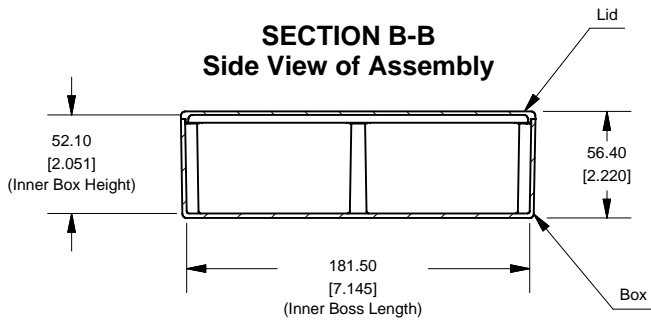
### Top View of Assembly



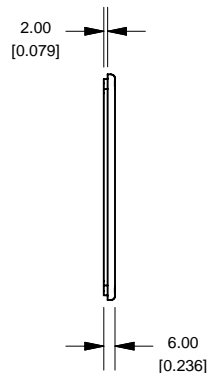
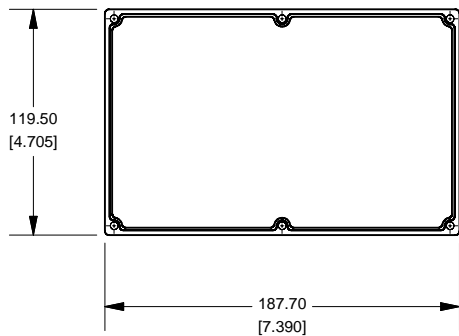
### SECTION A-A End View of Assembly



### SECTION B-B Side View of Assembly



### Lid



Enclosures can be Factory Modified ( Milling, Drilling, Printing etc. )  
Solid models of this enclosure available in STEP or IGES.  
Contact Factory [jelkins@hammond-electronics.co.uk](mailto:jelkins@hammond-electronics.co.uk)

NOTE	
Purchased assembly includes Lid, Box and 6 cover screws.	

Eddystone 26827PSLA	
PART INFORMATION	
Part Number:	26827PSLA
Material:	LM2 / LM24 Diecast Aluminum Alloy
Cover Screw Type:	M3.5 x 10mm Countersunk (Screw Torque 75 oz f.in or 55 cN. m)

**HAMMOND  
MANUFACTURING™**

**26827PSLA**

[www.hammondmfg.com](http://www.hammondmfg.com)