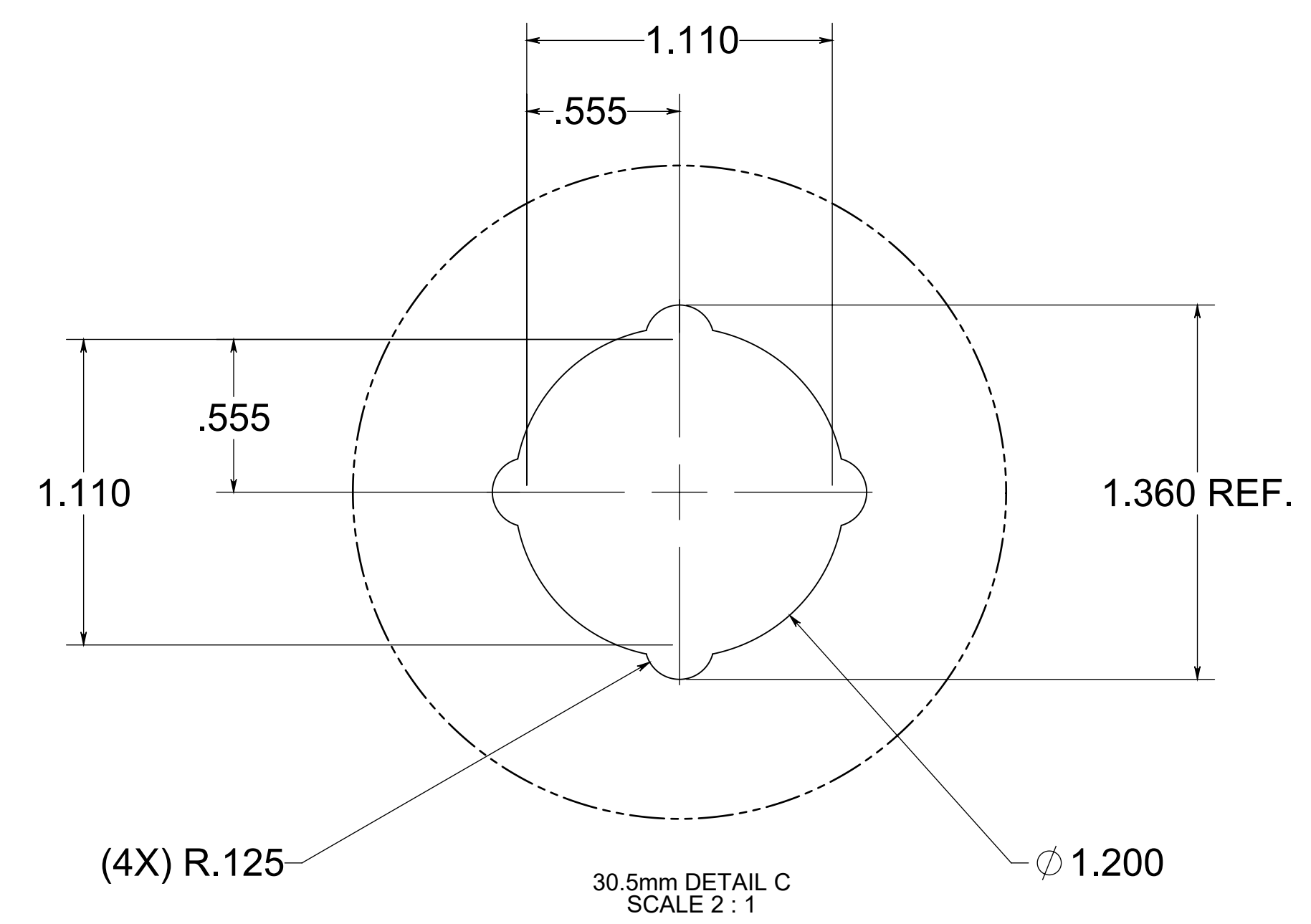
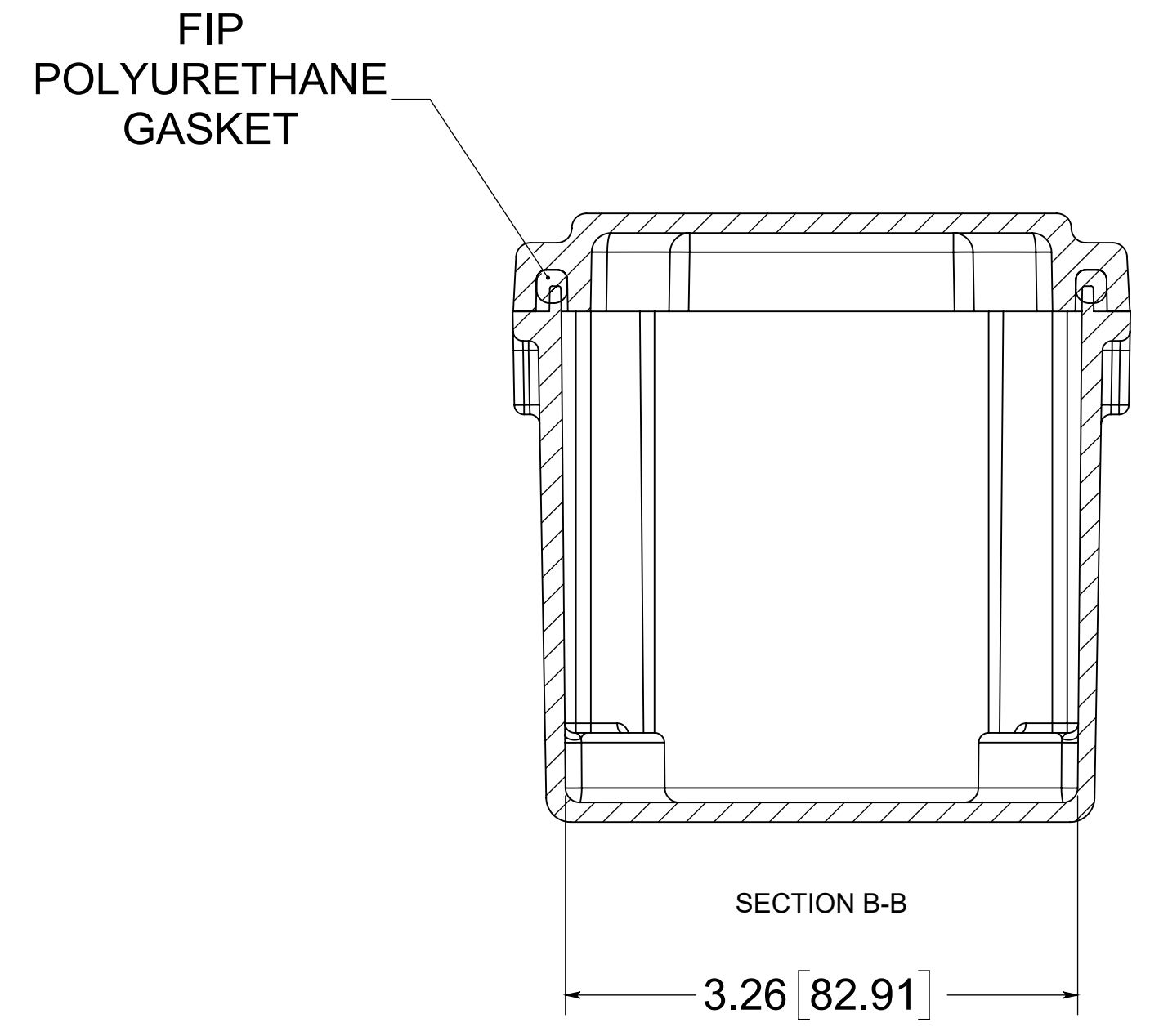
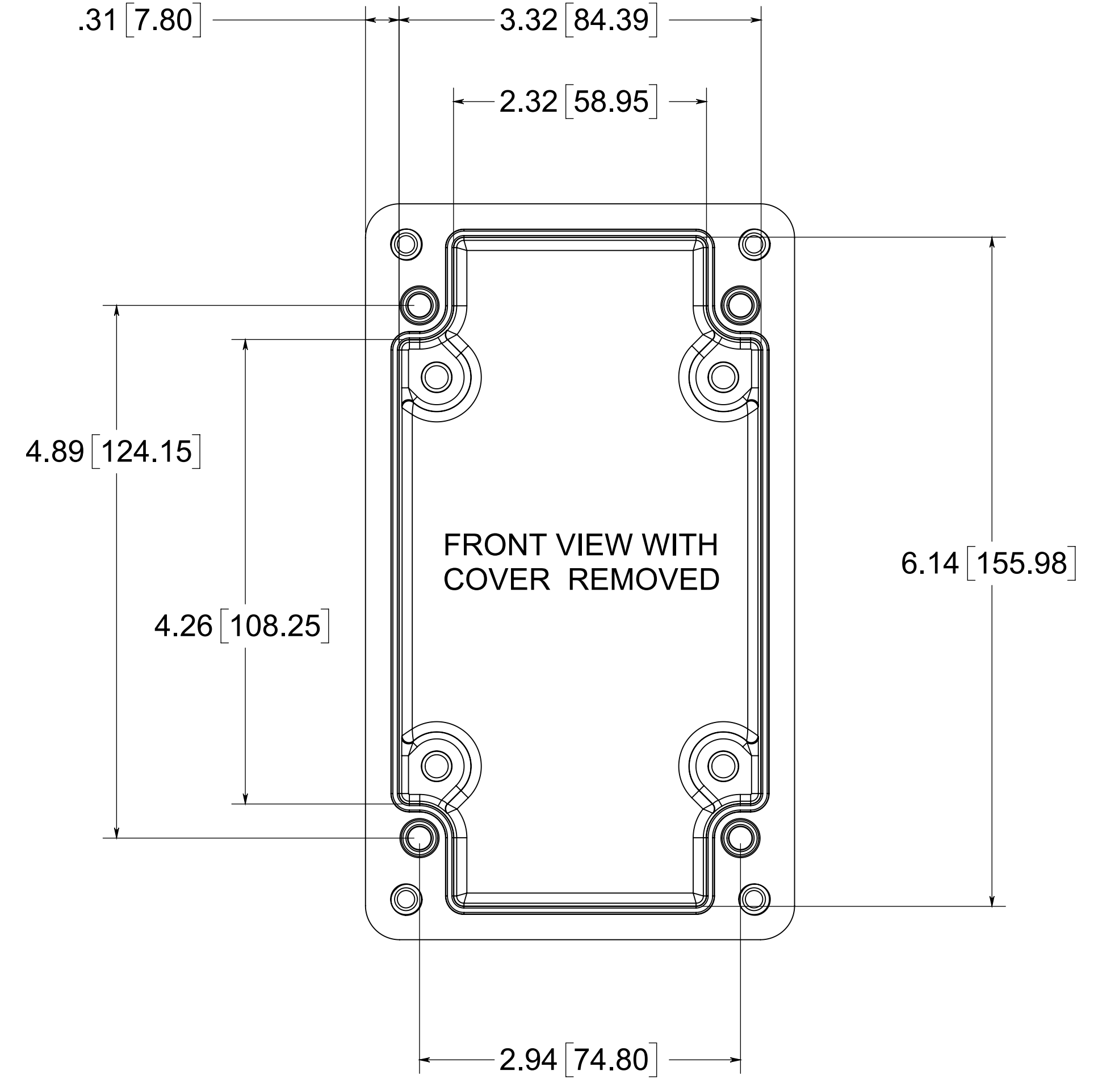
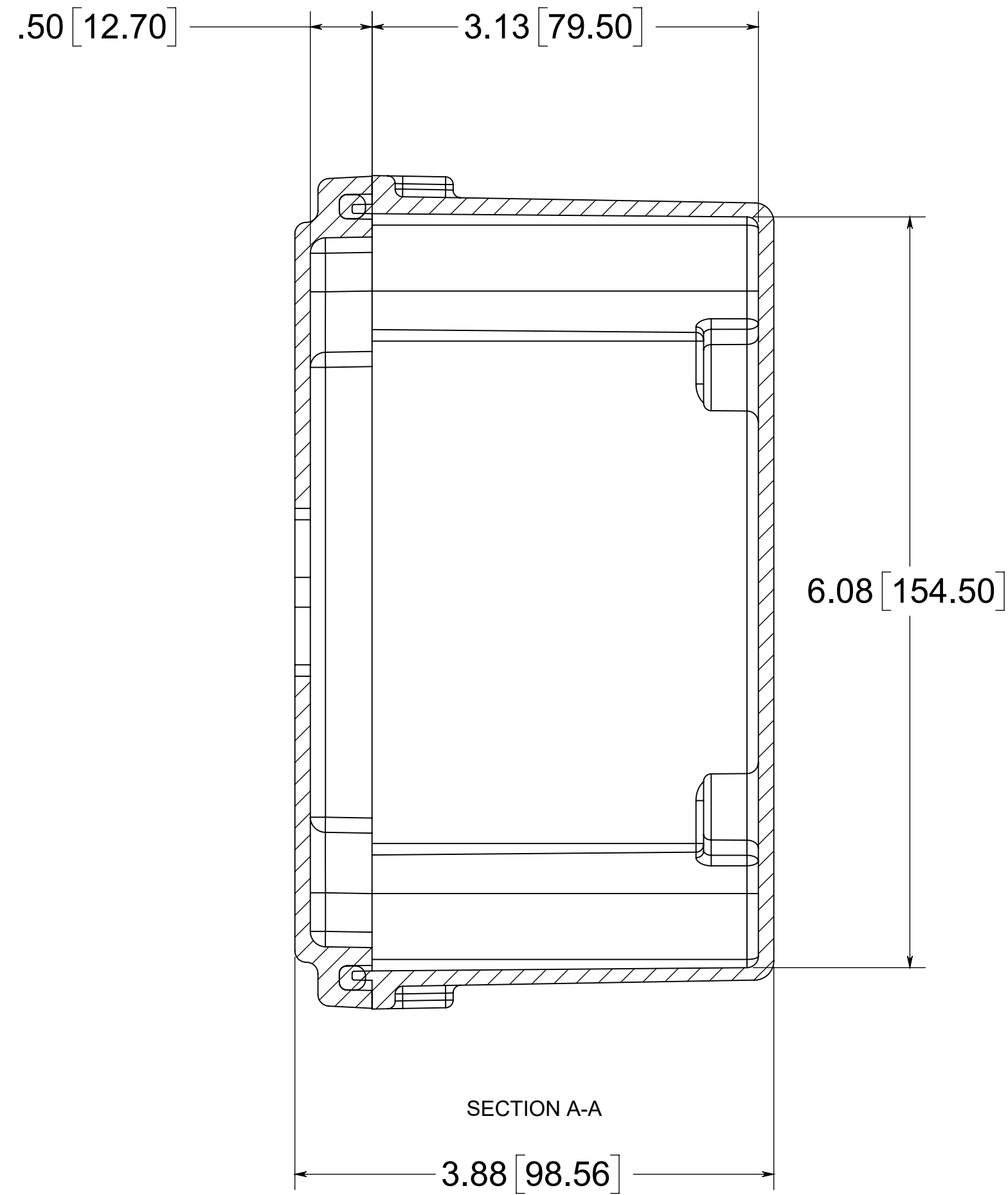
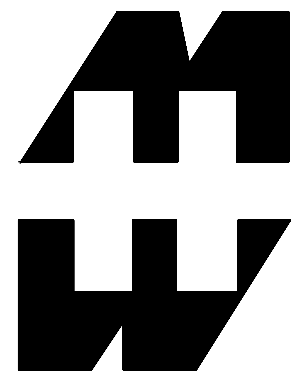


(4) EACH #10-32 BRASS
INSERTS AND STAINLESS
STEEL COVER SCREWS



NOTE:
1. DATA SUBJECT TO
CHANGE WITHOUT NOTICE

MATERIAL:
BOX & COVER - COMPRESSION MOLDED
FIBERGLASS REINFORCED POLYESTER



PART No. PJ744P1.WEB
for more information visit
www.hammfg.com
Data subject to change without notice
Drawing Not to Scale