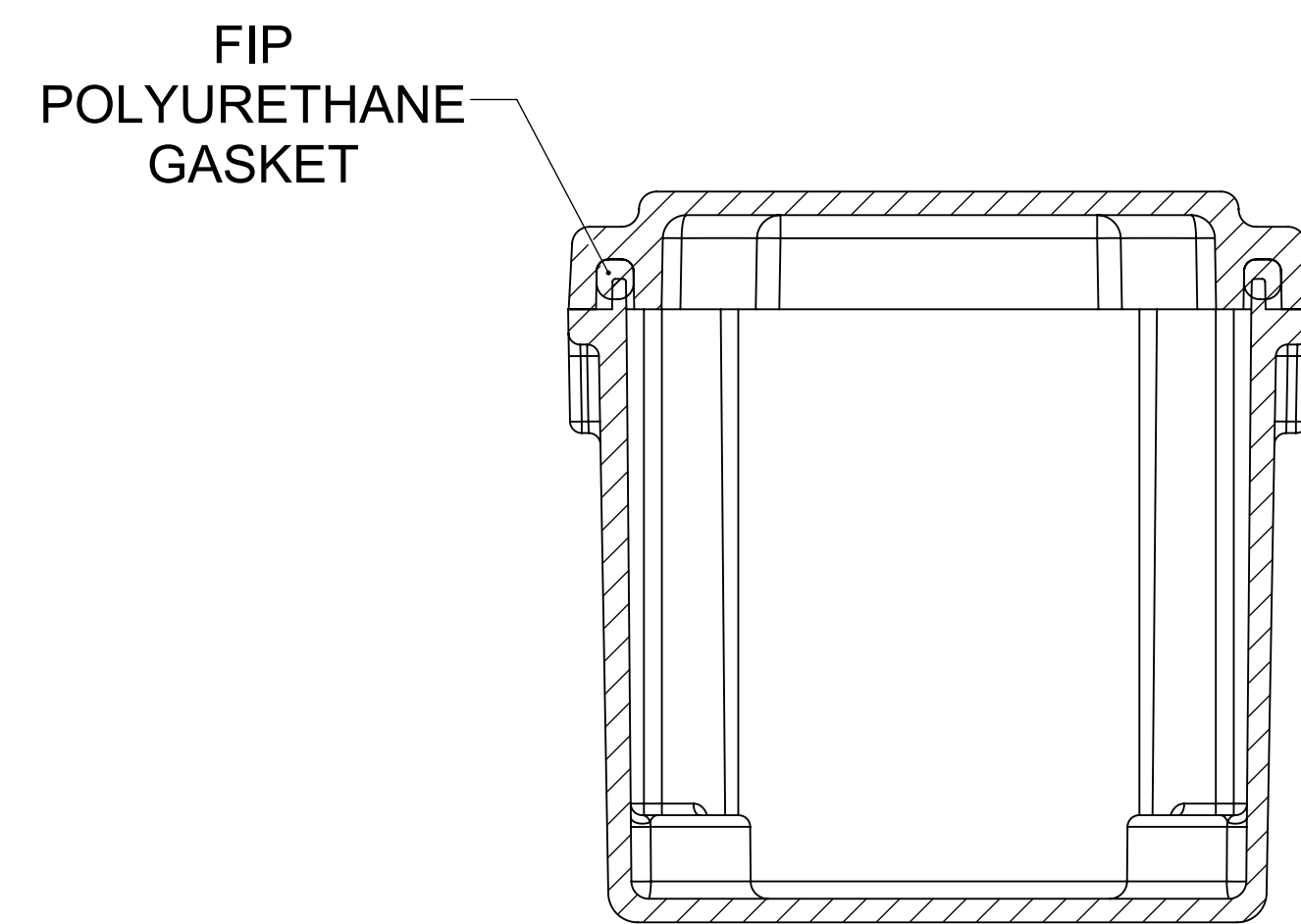
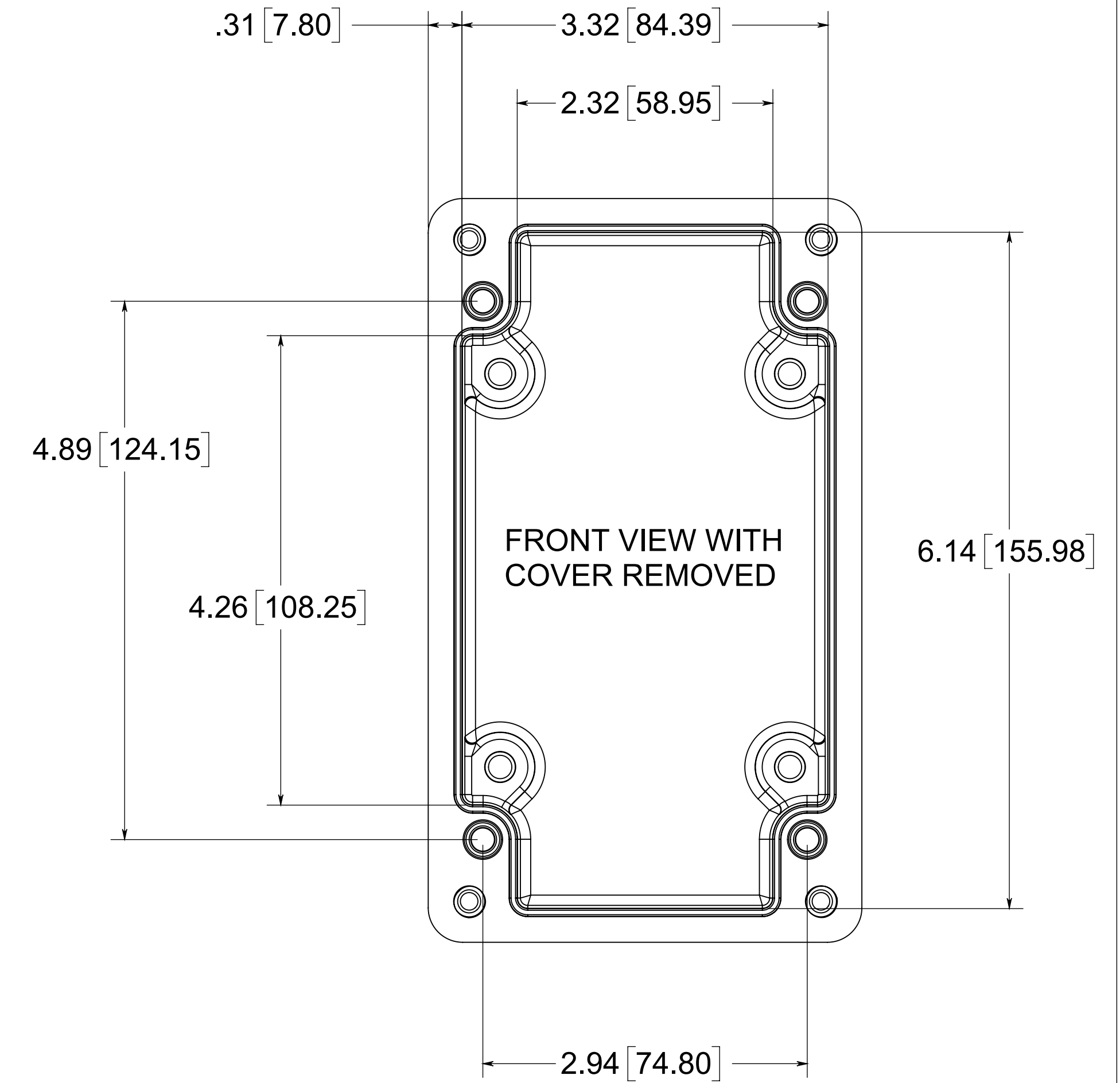
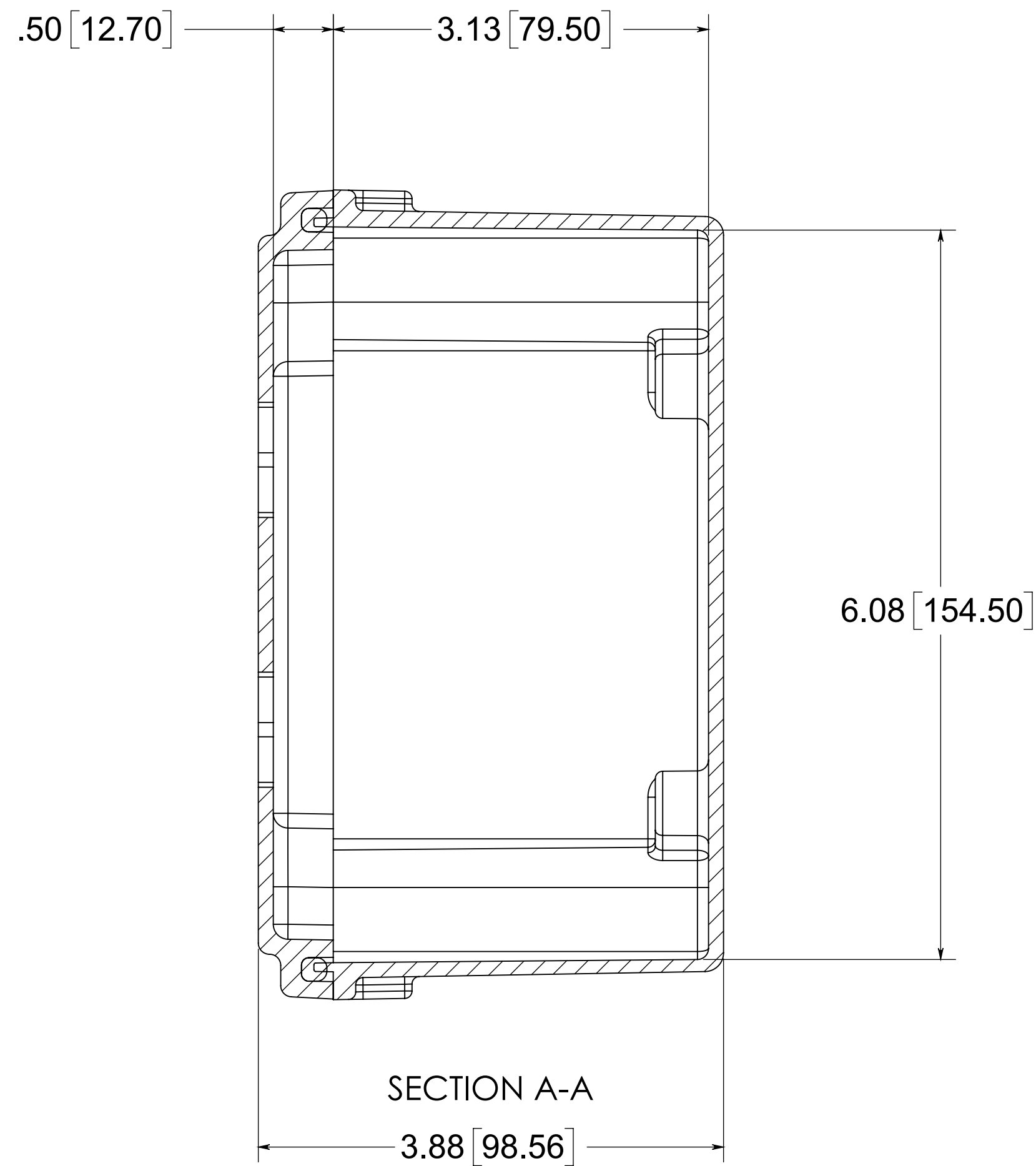
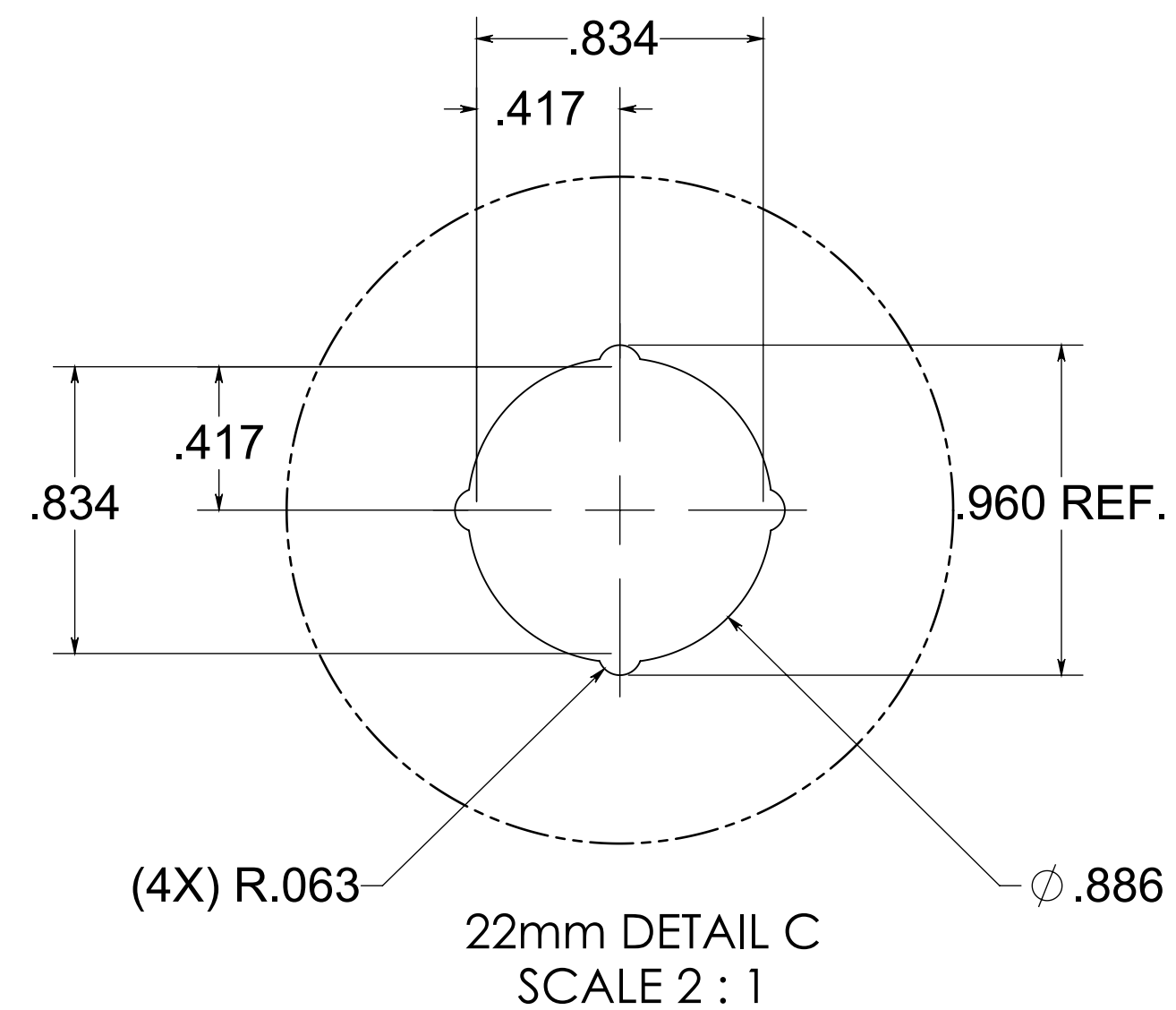


(4) EACH #10-32 BRASS  
INSERTS AND STAINLESS  
STEEL COVER SCREWS

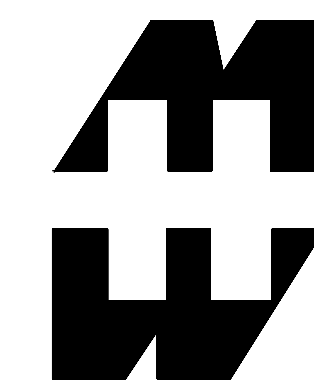


SECTION B-B

MATERIAL:  
BOX & COVER - COMPRESSION MOLDED  
FIBERGLASS REINFORCED POLYESTER



NOTE:  
1. DATA SUBJECT TO  
CHANGE WITHOUT NOTICE



PART No. PJ744P222.WEB

for more information visit  
[www.hammfg.com](http://www.hammfg.com)  
Data subject to change without notice

Drawing Not to Scale