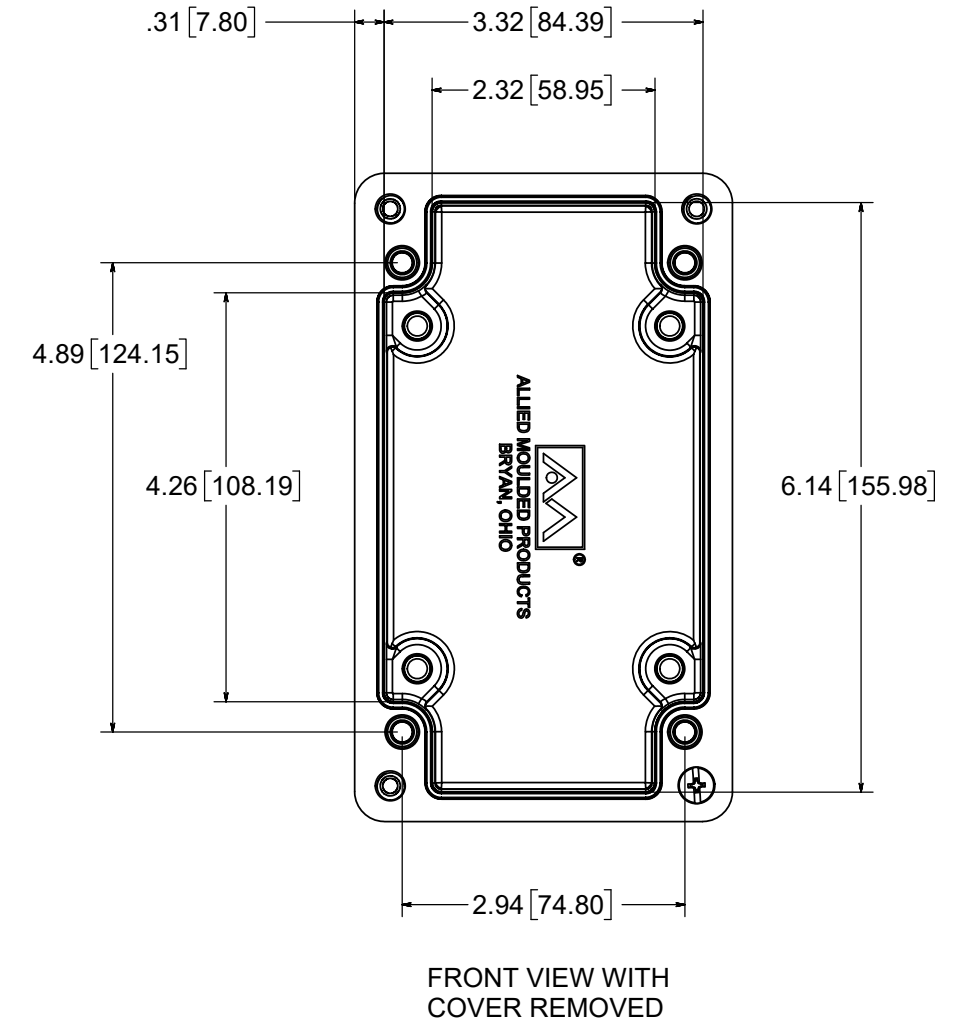
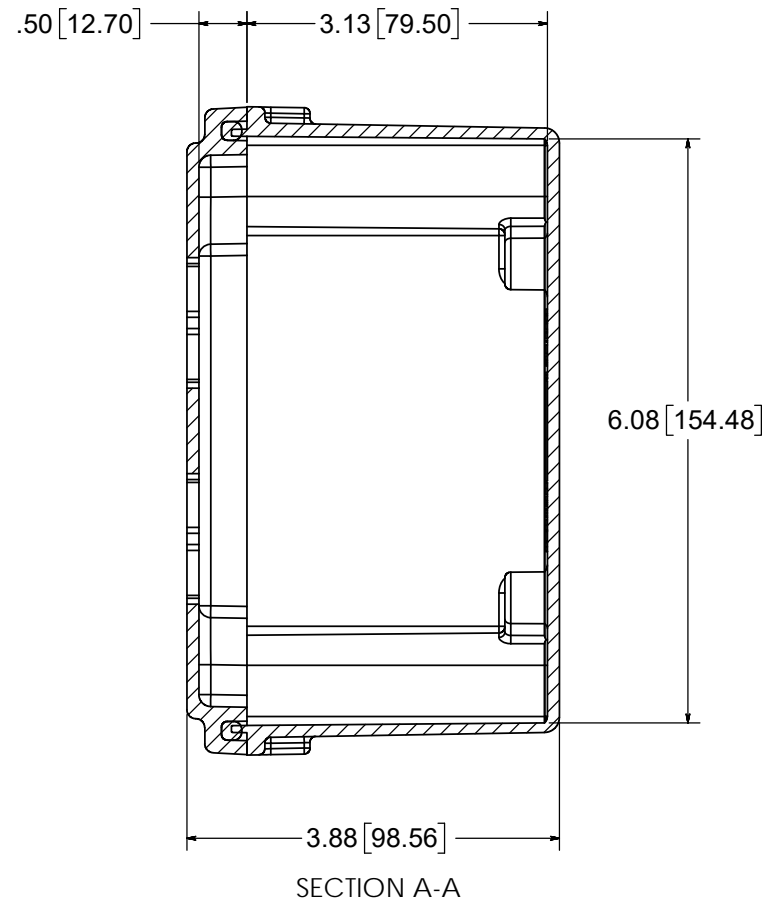
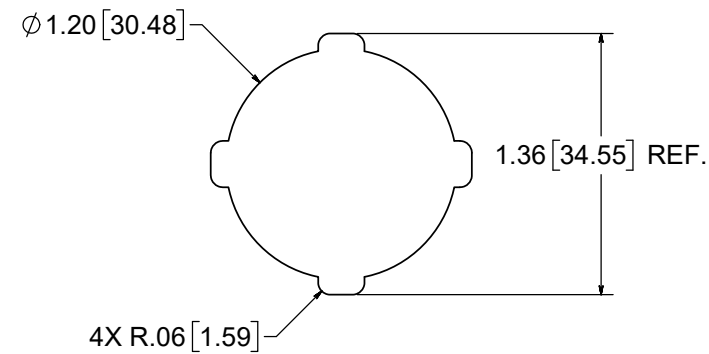
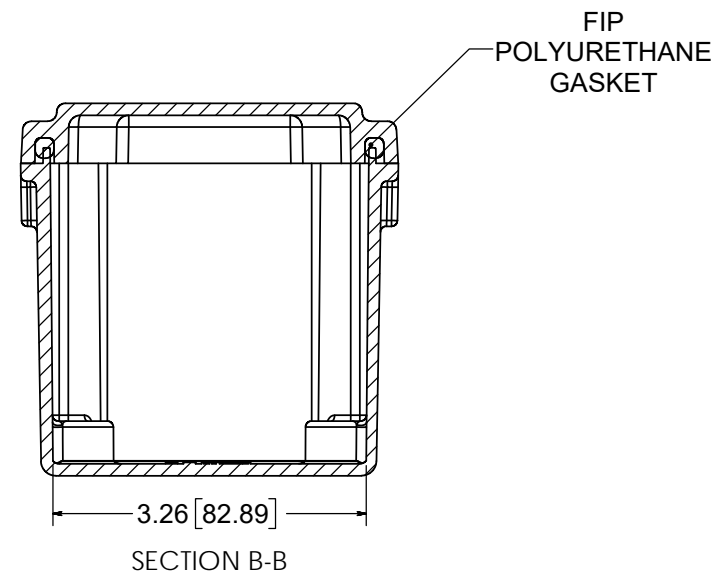


(4) EACH #10-32 BRASS INSERTS AND STAINLESS STEEL COVER SCREWS

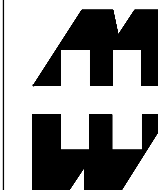


NOTE:
1. DATA SUBJECT TO CHANGE WITHOUT NOTICE



DETAIL C
30.5mm
SCALE 2 : 1

MATERIAL:
BOX & COVER - COMPRESSION MOLDED
FIBERGLASS REINFORCED POLYESTER



PART No. PJ744P2.WEB

for more information visit
www.hammfg.com
Data subject to change without notice

Drawing Not to Scale