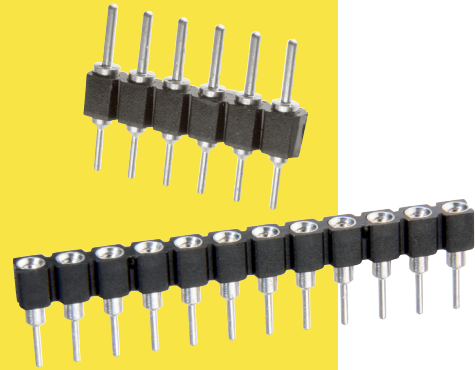


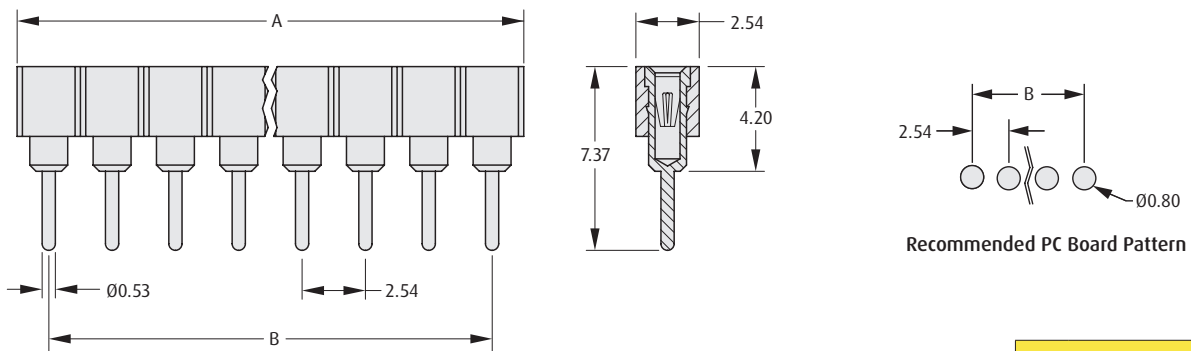
IC Sockets

Modular Single Row

- Connectors can be cut to smaller sizes.
- Socket accepts mating pin $\varnothing 0.40$ to 0.56mm , using four finger Beryllium Copper contact technology.
- Please consult Technical Drawings online for further specifications.

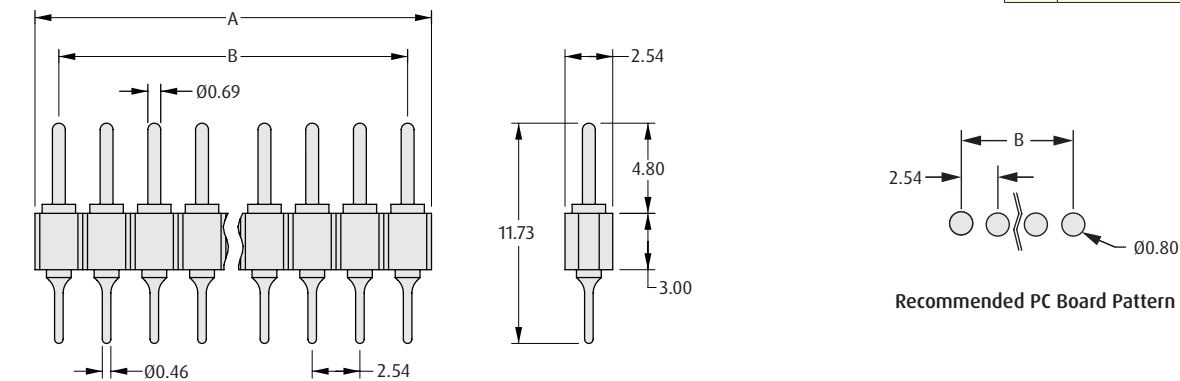


FEMALE



CALCULATION	
A	$2.54 \times \text{No. of contacts}$
B	$2.54 \times (\text{No. of contacts} - 1)$

MALE



HOW TO ORDER

D01 - 99 X XX XX

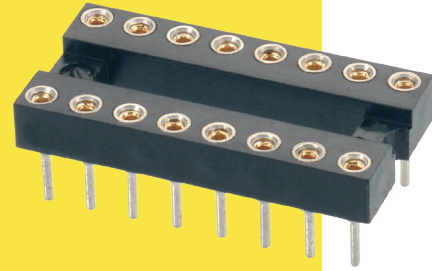
SERIES CODE	D01 - 99	FINISH	42 Gold + Tin (Female)
TYPE	7 Female 2 Male	46	Tin (Male)
	X	NO. OF CONTACTS	20, 32
	XX		
	XX		

All dimensions in mm.

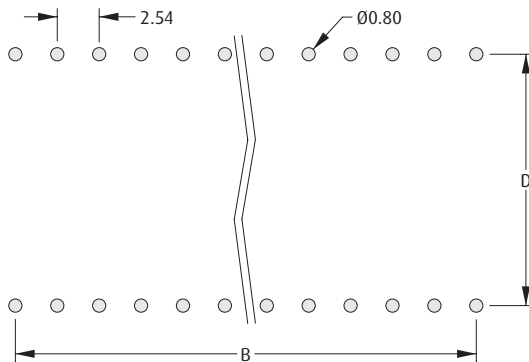
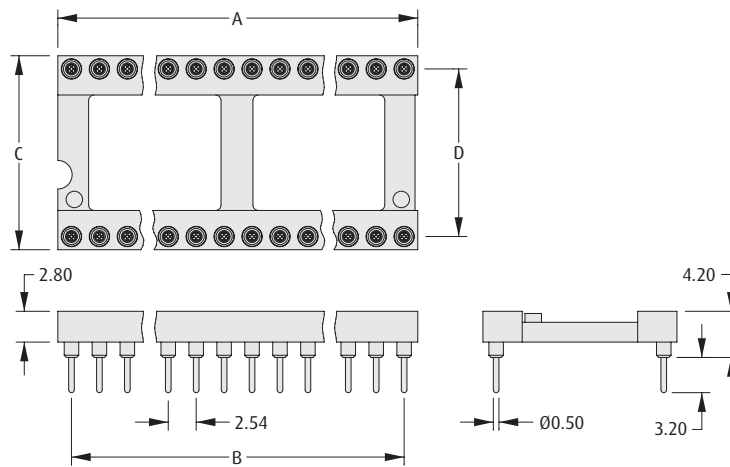
IC Sockets

Dual Row IC Socket

- ❖ Socket accepts IC leads $\varnothing 0.40$ to 0.56mm .
- ❖ End and side stackable.
- ❖ Utilizes four finger Beryllium Copper contact technology.
- ❖ Gold finish on contact, with Tin finish on shells/termination.
- ❖ Please consult Technical Drawings online for further specifications.



IC SOCKET



Recommended PC Board Pattern

ORDER CODE	NO. OF CONTACTS	A	B	C	D
D2806-42	6	7.60	5.08	10.02	7.62 (0.3")
D2808-42	8	10.10	7.62	10.02	7.62 (0.3")
D2814-42	14	17.70	15.24	10.02	7.62 (0.3")
D2816-42	16	20.30	17.78	10.02	7.62 (0.3")
D2818-42	18	22.80	20.32	10.02	7.62 (0.3")
D2820-42	20	25.30	22.86	10.02	7.62 (0.3")
D2922-42	22	27.80	25.40	10.02	7.62 (0.3")
D2822-42	22	27.80	25.40	12.60	10.16 (0.4")
D2924-42	24	30.40	27.94	10.02	7.62 (0.3")
D2724-42	24	30.40	27.94	12.60	10.16 (0.4")
D2824-42	24	30.40	27.94	17.64	15.24 (0.6")
D2928-42	28	35.50	33.02	10.02	7.62 (0.3")
D2828-42	28	35.50	33.02	17.64	15.24 (0.6")
D2832-42	32	40.60	38.10	17.64	15.24 (0.6")
D2840-42	40	50.80	48.26	17.64	15.24 (0.6")
D2948-42	48	60.90	58.42	17.64	15.24 (0.6")
D2864-42	64	81.20	78.74	25.40	22.86 (0.9")

All dimensions in mm.