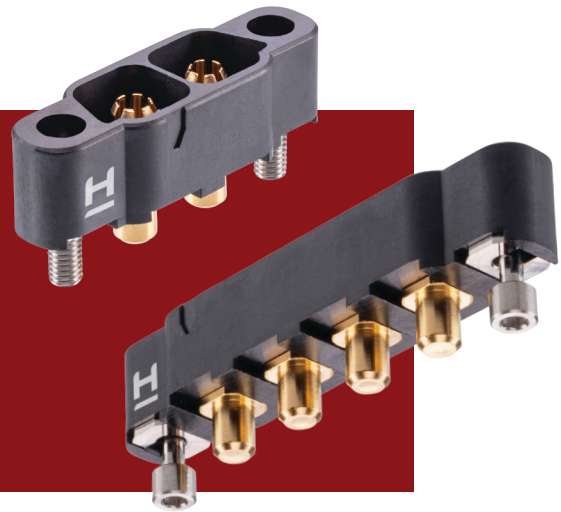


Kona Connectors

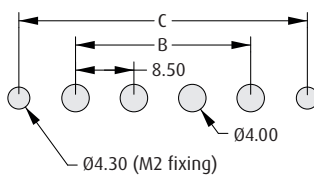
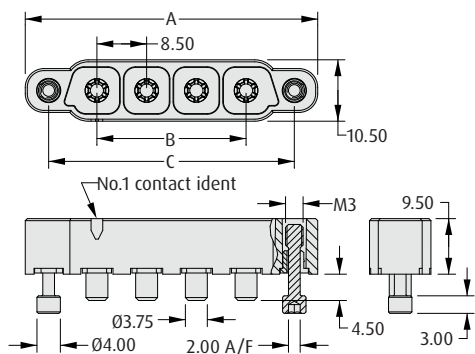
Male Vertical Throughboard

- All contact locations are individually shrouded.
- No. 1 position identified on housing.
- Scoop-proof contacts.
- Stainless steel screw fixing to mate with applicable female connector.
- Supplied in tubes with pick and place caps.
- Order nuts for board mount separately.



KONA

FLOATING HEX SOCKET - REVERSE FIX

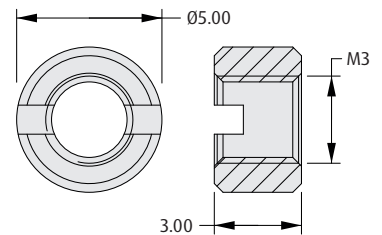


Recommended PCB Board Pattern

CALCULATION

A	$B + 24.5$
B	$8.5 \times (\text{No. of contacts} - 1)$
C	$B + 16.5$

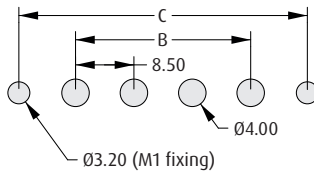
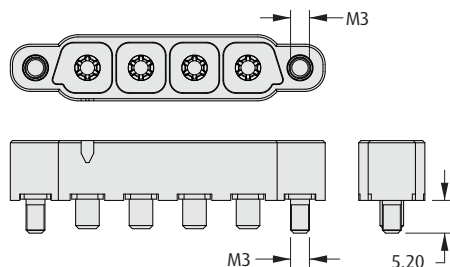
BOARD MOUNT NUT



ORDER CODE

KA1-4240000

WITH BOARD MOUNT STUD



Recommended PCB Board Pattern

HOW TO ORDER

KA1 - M V1 XX 05 MX

SERIES CODE

TYPE

M Male

TYPE

V1 Vertical

TOTAL NO. OF CONTACTS

02, 03, 04

FIXING

M1	With 5.2mm Board Mount stud
M2	Floating Hex Socket (reverse fix)

FINISH

05 Gold

All dimensions in mm.

Kona Connectors

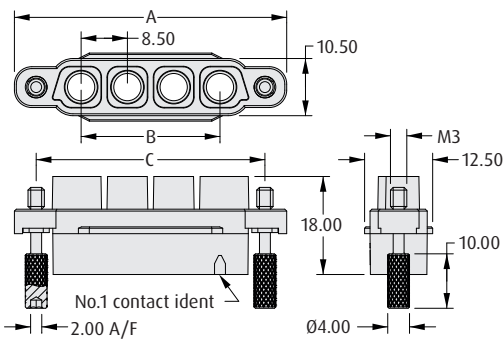
Female Cable Connector Housings

- All contact locations are individually shrouded.
- No. 1 position identified on housing.
- Scoop-proof contacts.
- Stainless steel screw fixing to mate with applicable male connector.



KONA

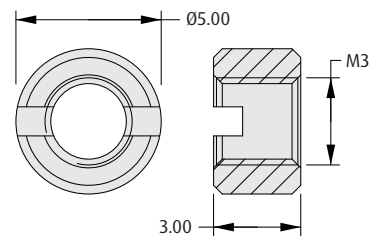
FLOATING THUMBSCREW WITH HEX SOCKET



CALCULATION

A	B + 24.5
B	8.5 x (No. of contacts - 1)
C	B + 16.5

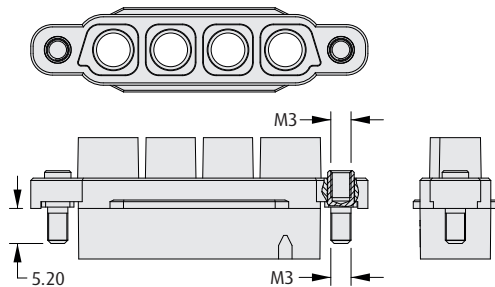
PANEL MOUNT NUT



ORDER CODE

KA1-4240000

REVERSE FIX WITH PANEL MOUNT



TOOLS

Contact Removal Tool - ZA1-9040000

- Female contact shown on following page.
- Instruction sheet available at www.harwin.com/instructions.

HOW TO ORDER

KA1 - 201 XX 98 FX

SERIES CODE

TYPE

201 Female Housing

TOTAL NO. OF CONTACTS

02, 03, 04

FIXING

F1 Floating Thumbscrew with Hex Socket

F2 Reverse Fix with 5.2mm Panel Mount stud

All dimensions in mm.