

Spring Contact Connectors Specification

Materials

| | |
|------------|--|
| Mouldings: | High Temperature Plastic, UL94V-0 |
| Contacts: | Plunger: Brass Barrel: Brass Spring: Stainless Steel or Gold-plated Steel |
| Finish: | Plunger: Gold Barrel: Gold |

Electrical

| | |
|------------------------|--------------------|
| Current rating: | 1.0A max |
| Voltage rating: | 12V DC |
| Contact resistance: | 50 m Ω max |
| Insulation resistance: | 100 M Ω min |

Environmental

| | |
|----------------------------|----------------------|
| Operating temperature: | -40°C to +85°C |
| Solderability: | 235°C for 5 seconds |
| Soldering heat resistance: | 260°C for 10 seconds |

Mechanical

| | |
|---------------------------------|---|
| Durability: | 10,000 operations |
| Working height: | 2-way 3.9mm 3-way, 4-way 3.4mm 5-way 4.5mm |
| Spring force at working height: | 2-way 1.1N \pm 20% 3-way, 4-way 1.2N \pm 20% 5-way 0.8N \pm 20% |

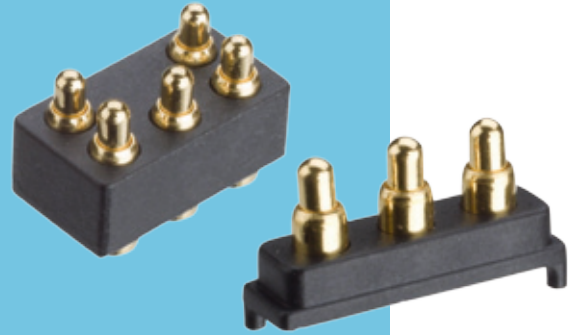
All preferred sizes of this range are held in stock.
Check www.harwin.com for availability.

Spring Contact Connectors

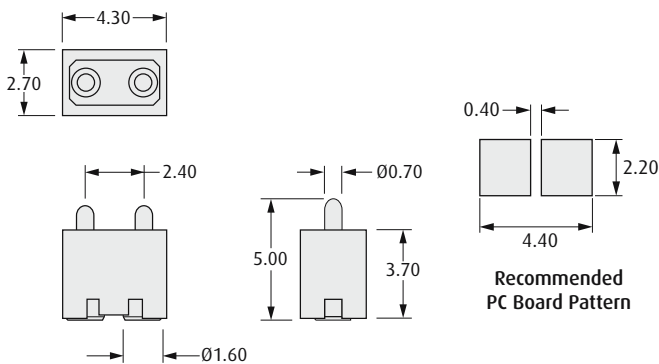
HotShoe

A range of spring contact connectors for maintaining a positive force against a mating surface.

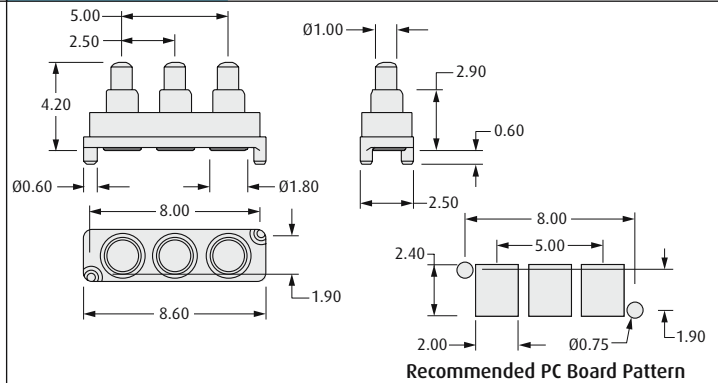
- ❖ Low mating force enables rapid and effortless connection for a user friendly system.
- ❖ Tolerates significant mating misalignment.
- ❖ Ideal for use in portable equipment where separate battery modules are used and for data transfer docking stations.



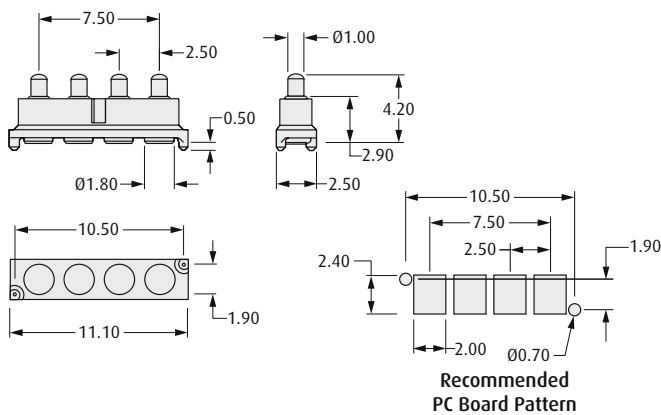
2 CONTACTS



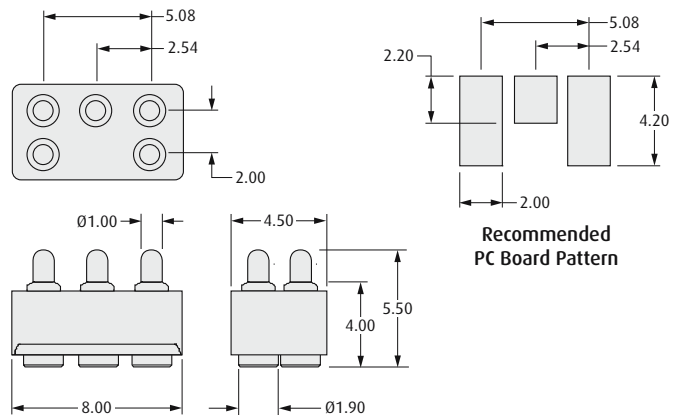
3 CONTACTS



4 CONTACTS



5 CONTACTS



HOW TO ORDER

P20 - XX 45 R

SERIES CODE

TOTAL NO. OF CONTACTS

02 to 05

TAPE AND REEL

FINISH

45 Gold



All dimensions in mm.