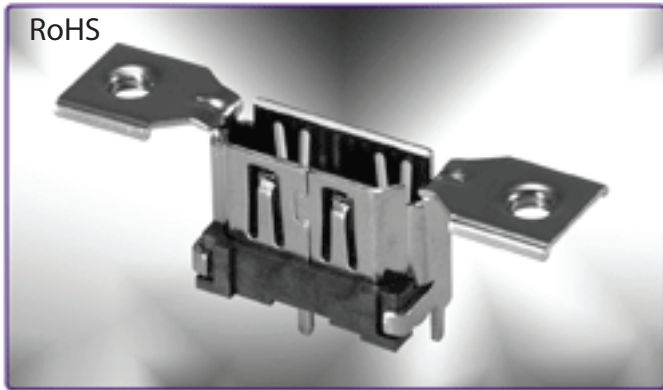


Ordering Information



KDMIX Series
Vertical HDMI^(TM)



Features

- Metal shields provide better ESD protection
- Provides low impedance mismatch
- 19 position receptacle
- Panel mount flange adds mechanical stability and provides additional grounding

Performance Specifications

Materials and Finish

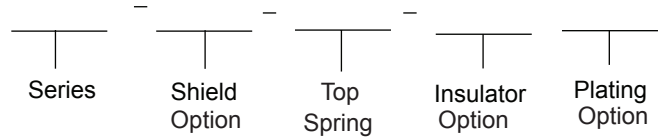
- Shell:** Copper Alloy Nickel plated
Insulator: UL94V-0 Rated Thermoplastic, Color-Black
Contacts: Copper Alloy
Plating: 30µ" Gold plated over Nickel on contact area.
 Tin plated over Nickel on solder tails.

Mechanical Characteristics

- Insertion Force:** 44.1N Max.
Extraction Force: 9.8N Min., 39.2N Max.
Durability: 10K mating cycles

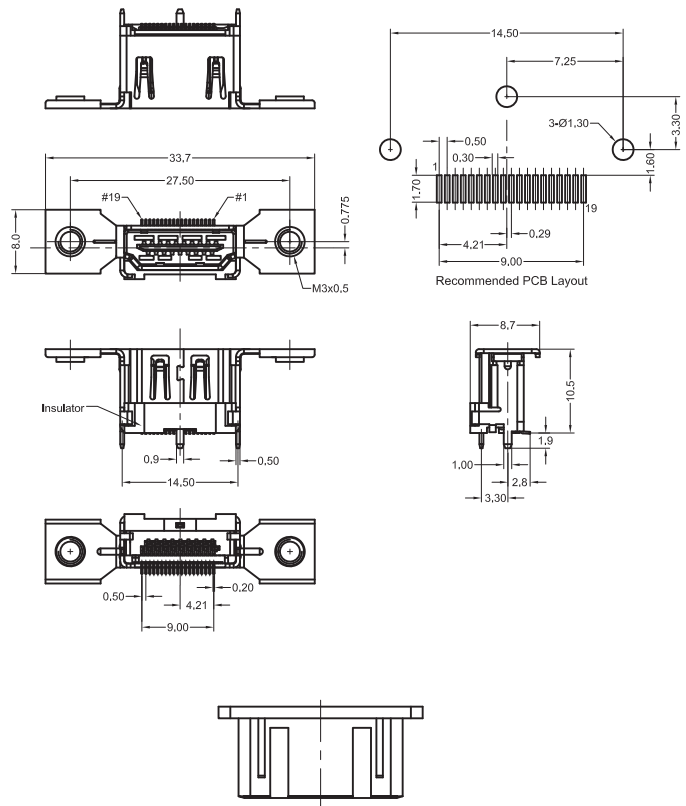
Electrical Characteristics

- Rated Voltage:** 40V AC (RMS)
Contact Current Rating: 0.5A Min.
Contact Resistance: 10 milliohms Max.
Insulation Resistance: 10 Megohms Min. (mated)
 100 Megohms Min. (unmated)
Dielectric Withstanding: 500V AC (unmated)
 300V AC (mated)
Operating Temperature: -25°C to 85°C



- Series**
KDMIX - Vertical HDMI^(TM)
- Shield Option**
FS1V - Vertical SMT Shield Tabs, Flange
- Top Spring**
WS - With Top Spring
- Insulator Option**
B - Black

KDMIX-FS1V-WS-B
Dimensions in mm



Dust Cap Comes Installed