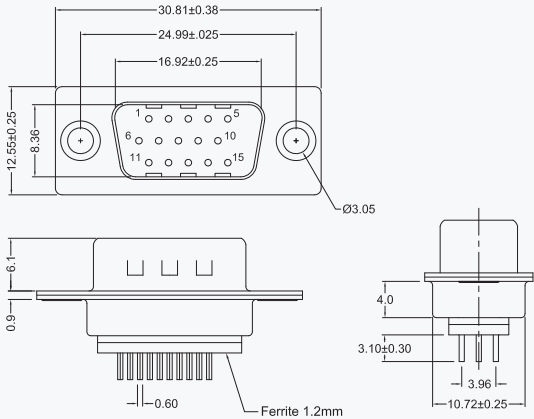


D-SUBMINIATURE CONNECTORS:
KF86X Series
 Vertical PCB Mount High Density with Ferrite

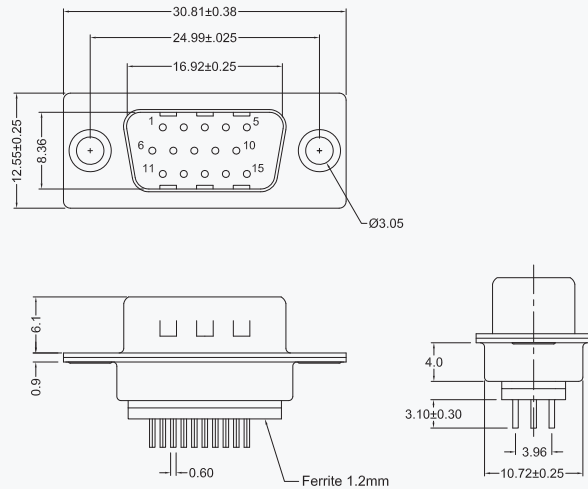
KF86X-ED-15S Dimensions

Dimensions in mm



KF86X-ED-15P Dimensions

Dimensions in mm



2D Drawing	IGES	STEP	3D PDF
Solder Profile	CofC RoHS Compliant	CofC REACH Compliant	UL Plastic File
Certificate of Origin	Check Stock	Request a Sample	Send Us An Email

Generated Part Number

Part Number Builder

<input type="text"/>	-	<input type="text"/>	<input type="text"/>	<input type="text"/>	<input type="text"/>	<input type="text"/>
Series		Shell Type	Pin Type	Contact Option	Contact Type	Mounting Option Plating Option

Series

KF86X - D-Subminiature Vertical Connector

Contact Shell Size

E - 15 Contacts

Contact Construction, Pin Type

D - Precision Formed

Contact Type

P - Pin Contact (Plug)

S - Socket Contact (Receptacle)

Mounting Option

Blank - Through Hole

BR - With #4-40 Tin Plated 7.00mm Long Boardlocks

BRJ - With #4-40 Tin Plated 7.00mm Long Boardlocks and #4-40 Jackscrews

K - With #4-40 Bushings

KJ - With #4-40 Bushings and #4-40 Jackscrews

Plating Option

Blank - Gold Flash

30 - 30µ" Gold

Contact Kycon for Other Options

Ferrite Specifications

Test Frequency	Outer Row	Inner Row
30 Mhz	10-14 Ohms	13-17 Ohms
50 Mhz	12-18 Ohms	15-19 Ohms
100 Mhz	15-20 Ohms	19-24 Ohms