

# ROTARY SWITCH

## BCKS ROTARY SWITCH IP65

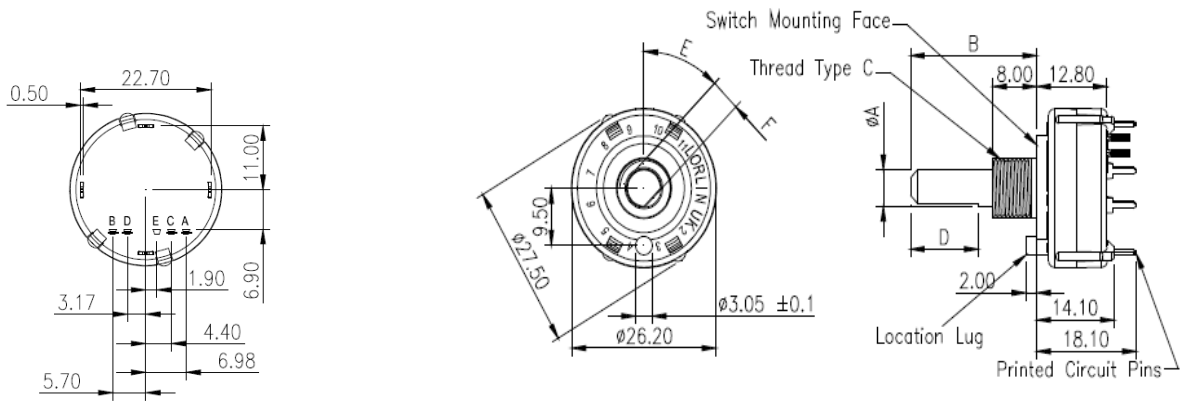
### ELECTRICAL & MECHANICAL SPECIFICATION

<b>Switch Rating:</b>	150mA @ 50V ac/dc	<b>Life:</b>	>10,000 Cycles
<b>Proof Voltage:</b>	250V ac (Initial)	<b>Operating Temperature:</b>	-30°C to +85°C
<b>Insulation Resistance:</b>	>999 MΩ at 500V dc (Initial)	<b>Operating Torque (nominal):</b>	Standard 4.7 ± 0.5 cNm
<b>Contact Resistance</b>	<50 mΩ (Initial)	<b>End Stop Torque (nominal):</b>	0.8 Nm
<b>Terminal Material:</b>	Brass, CZ108 Sn Plated	<b>Housing/Bush Material</b>	Polyamide 6.6 G.F

### FEATURES

Sealed IP65	Smooth feel operation	
-------------	-----------------------	--

Binary coded Hexadecimal and complimentary versions	Standard 22.5° indexing	PCB Terminals + extra stabilising terminals
Adjustable stops to restrict number of positions	Moulded 27.5mm diameter	Standard silver contacts, gold flashed or gold plated also
Spindles with special flats, slots or knurls	UL-V0 rated material option IP67 option	
Made in the UK		



### STANDARD PART NUMBERS

BASIC TYPES	SPINDLE DIAMETER	SPINDLE LENGTH FROM MOUNTING FACE	8mm LONG BUSH	SPINDLE FLAT LENGTH	ANGLE OF SPINDLE FLAT	SPINDLE FLAT THICKNESS
IMPERIAL	6.35mm	38mm	9.52 x 32TPI	30mm	90°	5.5mm
METRIC	6.00mm	50mm	M10 x 0.75	No Flat	---	---

	STANDARD METRIC		STANDARD IMPERIAL	
	Stop	No Stop	Stop	No Stop
Hex (Code 033) – Standard Spindle	BCKS1002 (no lug)	BCKS1001 (no lug)	BCKS1006 (lug)	BCKS1005 (lug)
Comp (Code 043) – Standard Spindle	BCKS1004 (no lug)	BCKS1003 (no lug)	BCKS1008 (lug)	BCKS1007 (no lug)
Hex (Code 033) – Flush Slot	-	BCKS1009 (lug)	BCKS1014 (lug)	-
Comp (Code 042) – Flush Slot	-	-	BCKS1019 (lug)	BCKS1020 (lug)

(Please see drawing detail for lug reference)

COMMON E Connection to Terminals				
Position	A	B	C	D
1	*			
2		*		
3	*	*		
4			*	
5	*		*	
6		*	*	
7	*	*	*	
8				*
9	*			*
A		*		*
B	*	*		*
C			*	*
D	*		*	*
E		*	*	*
F	*	*	*	*
0				

LORLIN BINARY CODED HEXADECIMAL  
START AT POSITION 1 - 16 POSITIONS

**CODE 033**

COMMON E Connection to Terminals				
Position	A	B	C	D
0				
1				*
2			*	*
3			*	*
4		*		
5		*		*
6		*	*	*
7		*	*	*
8	*			
9	*			*
A	*		*	*
B	*		*	*
C	*	*		*
D	*	*		*
E	*	*	*	*
F	*	*	*	*

LORLIN BINARY CODED HEXADECIMAL  
START AT POSITION 0 - 16 POSITIONS

**CODE 042**

COMMON E Connection to Terminals				
Position	A	B	C	D
F	*	*	*	*
E	*	*	*	*
D	*	*		*
C	*	*		*
B	*		*	*
A	*		*	*
9	*			*
8	*			*
7		*	*	*
6		*	*	*
5		*		*
4		*		*
3			*	*
2			*	*
1				*
0				

LORLIN BINARY CODED HEXADECIMAL  
START AT POSITION F - 16 POSITIONS

**CODE 043**

### SPINDLE DIMENSIONS

	A	B	C	D	E	F
BASIC TYPES	SPINDLE DIAMETER	SPINDLE LENGTH FROM MOUNTING FACE	8mm LONG BUSH	SPINDLE FLAT LENGTH	ANGLE OF SPINDLE FLAT	SPINDLE FLAT DEPTH
IMPERIAL	6.35mm	38mm	9.52 x 32TPI	30mm	90°	5.5mm
METRIC	6.00mm	50mm	M10 x 0.75	No Flat	---	---

### STANDARD SCREWDRIVER SLOT ANGLES

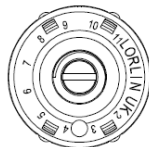
Standard screwdriver slots are 1.2mm wide and 1.5mm deep.



### TYPICAL SPINDLE DETAILS



Orientation with location lug in position shown.



**EXAMPLE**  
Screwdriver slot level with top of threaded fixing bush 1.2mm wide x 1.5mm deep (standard) at 90° (standard)

### BCKS ORDERING: DETAILS NEEDED

1. Switching Code
2. Imperial or Metric Spindle Diameter
3. Dimension (B) Spindle length from Mounting Face
4. Thread Required (C)
5. Spindle Flat length if required (D)
6. Angle of Flat (E)
7. Spindle Flat Depth (F)
8. 16 Position or No Stop Version
9. Contact Plating: Silver/Gold Flash/2.5 microns Gold Plate
10. Location Lug if required