

LOCK SWITCH

CKL

CKL LOCK SWITCH WITH BRACKETED CK SWITCH MODULE

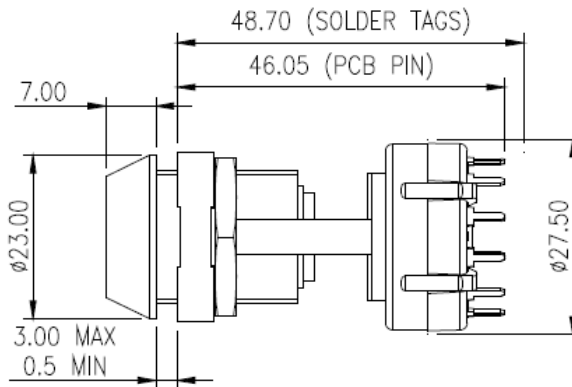
ELECTRICAL & MECHANICAL SPECIFICATION

Switch Rating:	150mA @ 250V ac/dc	Life:	>10,000 Cycles
	1A @ 24V dc	Operating Temperature:	-30°C to +85°C
Proof Voltage:	1,500V ac (Initial)	Lock Housing Material:	Zinc Alloy Bright Cr Plated
Insulation Resistance:	>999 MΩ at 500V dc (Initial)	Keys Material:	Mild Steel Ni Plated
Contact Resistance	<20 mΩ (Initial)	Housing Material:	Polycarbonate
Contact/Terminal Material:	Brass CZ108 Ag Plated	Wafer Material:	Polyamide 6.6 G.F V0 Rated

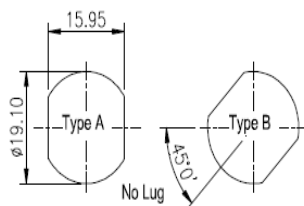
FEATURES

Single wafer switch	2 keys per switch as standard	All contacts are non-shorting BBM (break before make) 30°, 60° or 90° switch indexing	Two stage assembly: Lock through front and the module attaches by bracket from the inside
Up to 4 poles per switch	Key removeable at 30° 60° or 90°	8-disc lock – anti-pick	Max panel thickness 3.0mm
Solder or PCB terminals Gold flashed or gold plated also available	Common or differ keys 2000 combinations Master key system available		

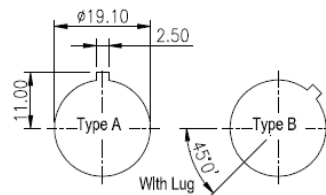
CKL LOCK AND BRACKETED CK MODULE



PANEL
PIERCING
OPTIONS



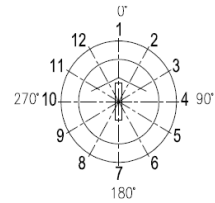
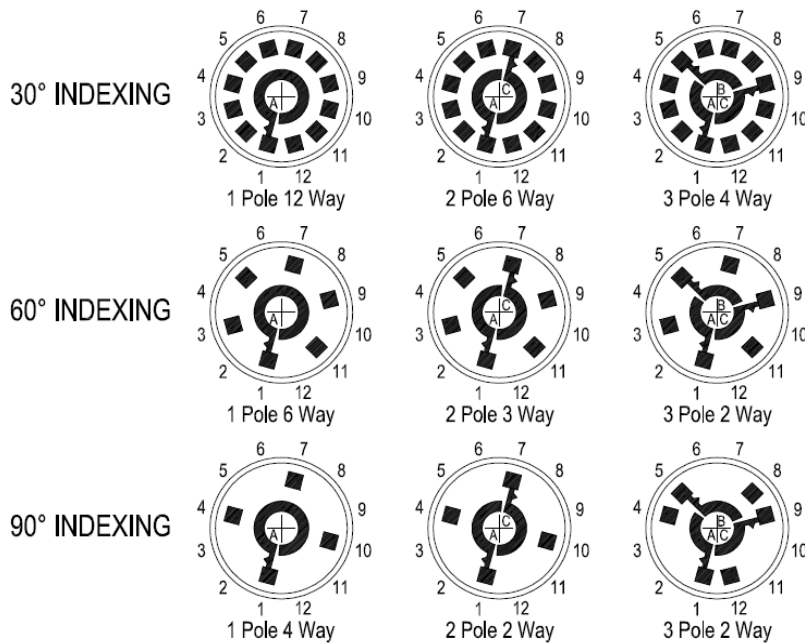
DOUBLE
FLAT



ROUND
HOLE

CK MODULE TERMINAL LAYOUTS VIEWED FROM THE KEY 1 POSITION

LOCK MOVEMENT



ORDERING CODE

