

# ROTARY SWITCH

## RA ROTARY SWITCH

### ELECTRICAL & MECHANICAL SPECIFICATION

**Switch Rating:** 150mA @ 250V ac/dc  
(Resistive load) 350mA @ 110V ac/dc  
1A @ 24V dc

**Proof Voltage:** 1,000Vac Initial)

**Insulation Resistance:** >999 MΩ at 500V dc (Initial)

**Contact Resistance** <20 mΩ (Initial)

**Contact/Terminal Material:** Brass CZ108 Ag Plated

**Life:** >10,000 Cycles

**Operating Temperature:** -30°C to +85°C

**Operating Torque (nominal):** Standard 7.2 cNm

**End Stop Torque (nominal):** 1.2 Nm

**Spindle Material:** Mild Steel Zn Plated & Passivated

**Wafer Material:** Polyphenylene Sulphide (PPS)

**Housing Material:** Zinc Alloy Bright Zinc Plated

### FEATURES

25.4mm diameter multi wafer switch

Standard self-staking wafers

Solder or PCB terminals

Adjustable stops to restrict number of positions

Spindles with special sizes and flats

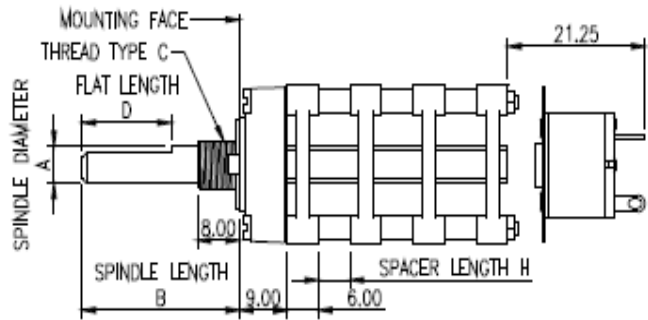
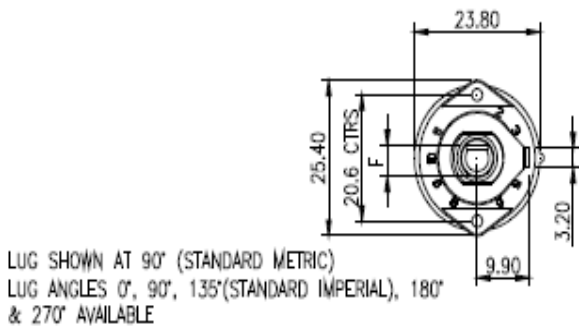
Standard silver contacts, gold flashed or gold plated also available

Shorting (MBB make before break) or non-shorting (BBM break before make) contacts

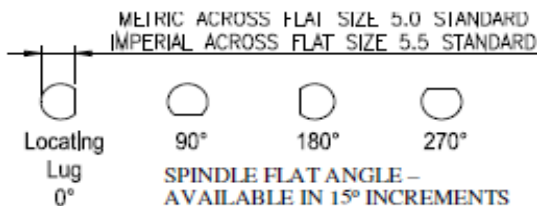
Standard 30° indexing, 45°, 60° and 90° also available

Mains module options

Made in UK

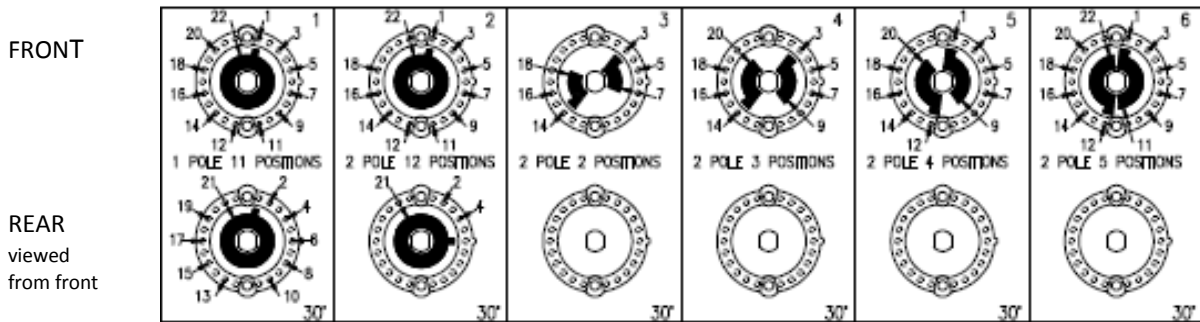


### SPINDLE OPTIONS

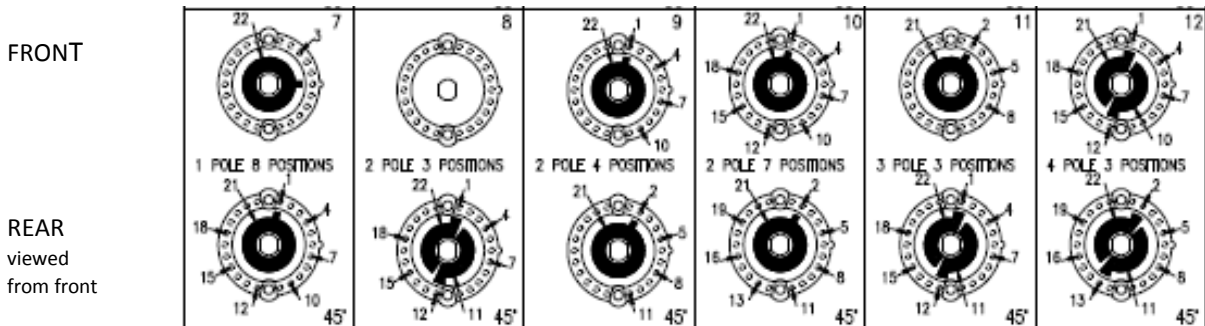


	A	B	C	D	E	F	G	HJKL
	Spindle Diameter	Spindle Length	Bush Thread	Spindle Flat Lgth	Spindle Angle	Spindle Flat	Locating Lug Angle	Spacer Length
IMPERIAL	6.35mm	50mm	9.52 x 32TPI			(5.5mm)		
METRIC	6.0mm	50mm	M10 x 0.75			(5.0mm)		

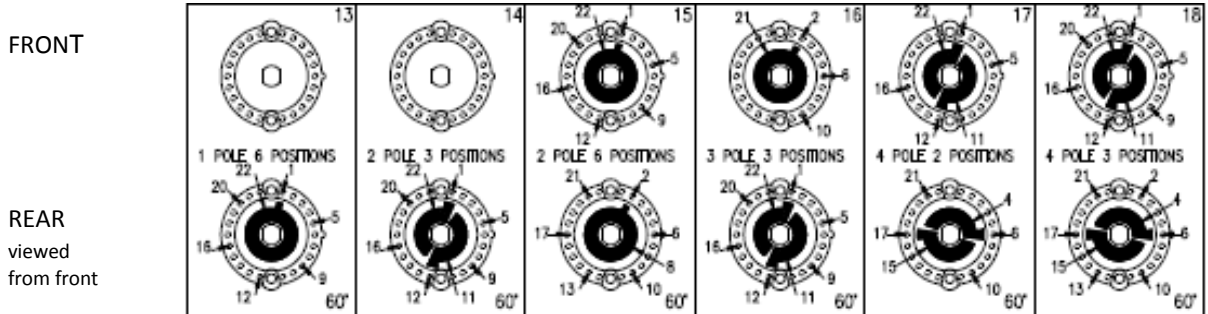
### 30° WAFER LAYOUTS



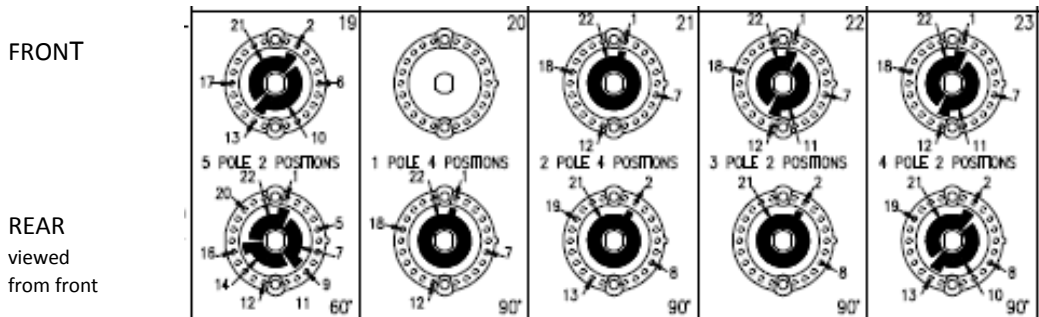
### 45° WAFER LAYOUTS



### 60° WAFER LAYOUTS

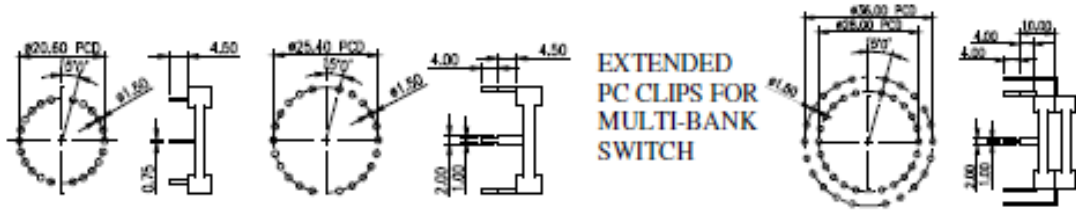


### 90° WAFER LAYOUTS



FRONT AND REAR WAFERS VIEWED FROM FRONT OF SWITCH IN FURTHEST COUNTER  
CLOCKWISE POSITION

## PRINTED CIRCUIT TERMINAL TYPES



## PRINTED CIRCUIT PINS STANDARD PRINTED CIRCUIT CLIPS

### RA ORDERING CODE

Nb. Standard spindles are unflattened x 50mm FMF (from mounting face) This includes the length of the 8mm bush.  
Popular Non-Standard Spindles (unflattened) are 14mm, 16mm, 18mm, 20mm, 22mm and 24mm FMF

CODE	TERMINAL	CODE	CONTACT PLATING	CODE	SPINDLE/ BUSH
S	Solder Clips	S	Silver (2μ)	M	6mmØ M10 x 0.75
P	20.5mmØ	G	Gold Plate (Au 2.5 μ, Ni 2 μ)	I	6.35mmØ 9.52 x 32TPI
A	25.4mmØ	F	Gold Flash (0.2 μ)		
B	28.0mmØ				
C	36.0mmØ				

