

M8

0815 0805 ... 3...

Cordsets M8



Actuator/sensor cordset with overmolded connectors

Cable end 1:

M8 male, angled, A-coded, IP67

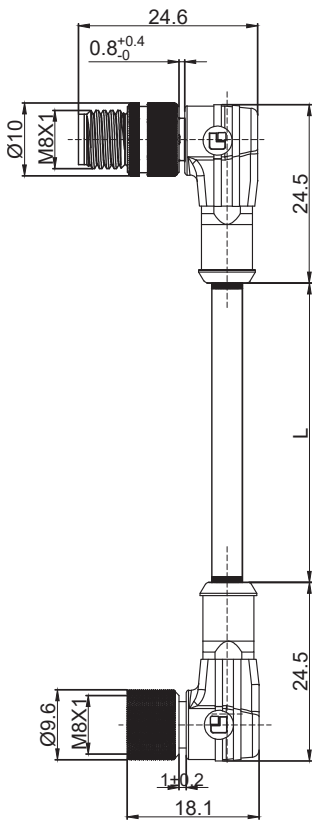
Cable end 2:

M8 female, angled, A-coded, IP67

Cable:

PUR, black

M8 0815 0805 ... 3...



Environmental conditions

Temperature range -25 °C/+80 °C

Materials

Insulating body	TPU GF, HB according to UL94
Contact bush	CuZn, pre-nickel and gold-plated
Contact pin	CuZn, pre-nickel and gold-plated
Overmolding/handle	TPU ¹
Knurled screw	CuZn, nickel-plated
Knurled nut	CuZn, nickel-plated
Seal	FKM

¹ material halogen-free

Mechanical data

Mating cycles	≥ 100
Insertion force	≤ 23 N ¹
Withdrawal force	≤ 23 N ¹
Protection class	IP67 ²

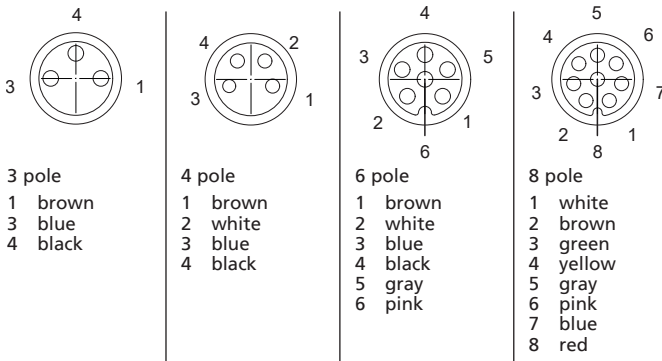
¹ gemessen mit einem passenden Gegenstück

² according to IEC DIN EN 60529, only in locked condition with an appropriate counterpart

Connected cable

Outer jacket PUR, black

Pin assignments for female M8 connectors, A-coded, front view



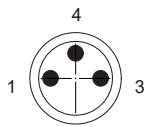
Electrical data (at T_{amb} 20 °C)

Contact resistance	≤ 10 mΩ
Rated current	4 A (3-4 poles) 1.5 A (6-8 poles) (T _{amb} 40 °C)
Rated voltage	48 V AC/60 V DC (3-4 poles) 32 V AC/DC (6-8 poles) (with pollution degree 3)
Rated impulse voltage	1.5 kV (3-4 poles) 0.8 kV (6-8 poles)
Material group	I (IEC)/0 (UL) (CTI = 600)
Overvoltage category	III
Insulation resistance	> 100 MΩ

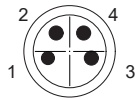
M8

0815 0805 ... 3...

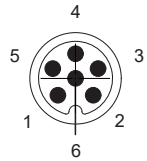
Pin assignments for male M8 connectors, A-coded, front view



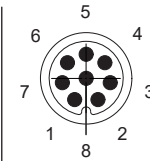
- 3 pole
1 brown
3 blue
4 black



- 4 pole
1 brown
2 white
3 blue
4 black



- 6 pole
1 brown
2 white
3 blue
4 black
5 gray
6 pink



- 8 pole
1 white
2 brown
3 green
4 yellow
5 gray
6 pink
7 blue
8 red

Associated products

Counterparts

- | | | |
|------------------------------------|---------------------------------------|----------------------------------|
| 0800 ... 0... | 0800 ... 3... | 0800F1 ... 0... |
| 0800F1 ... 3... | 0805 ... 0... | 0805 ... 3... |
| 0805F1 ... 0... | 0806 ... L1 0... | 0806 ... L1 3... |
| 0820 ... T8CW ... | 0821 ... T10CP | 0822 ...S9 T8CP |
| 1210 0800 ... 3... | 1210 0806 ... L1 3... | 5000 04L1 3... |
| 5000 08L1 3... | 5000 10L1 3... | 5000 12L1 3... |
| 5012 02 MFF | 5012 04L1 | 5012 08L1 |
| 5012 10L1 | 6157 8055 S01 4W | 6157 8055 S03 8W |
| 6157 8055 S06 16W | 6157 8055 S09 24W | |

Accessories

- | | |
|---------------------------|---------------------------|
| 9908 CPF0 | 9908 CPM0 |
|---------------------------|---------------------------|

M8

0815 0805 ... 3...

Designation	Pole Number	Connected Cable	PU (Pieces)	MDQ (Pieces)	Dimensions		
					L1 (mm)	L2 (mm)	L3 (mm)
0815 0805 04 301 0,5m	4	PUR, black, 4 x 0,34 mm ² (AWG 22), 910301, UL-style 20549	5	10	-	-	-
0815 0805 04 301 1m	4	PUR, black, 4 x 0,34 mm ² (AWG 22), 910301, UL-style 20549	5	10	-	-	-
0815 0805 06 337 0,3m	6	PUR, black, 6 x 0,25 mm ² (AWG 24), 910337, UL-style 20549	5	10	100	100	100
0815 0805 08 331 0,3m	8	PUR, black, 8 x 0,14 mm ² (AWG 26), 910339, UL-style 20549	5	10	100	100	100

Packaging:
in a plastic bag