

MODEL NO : OBO-10252SA

Features : External drive.

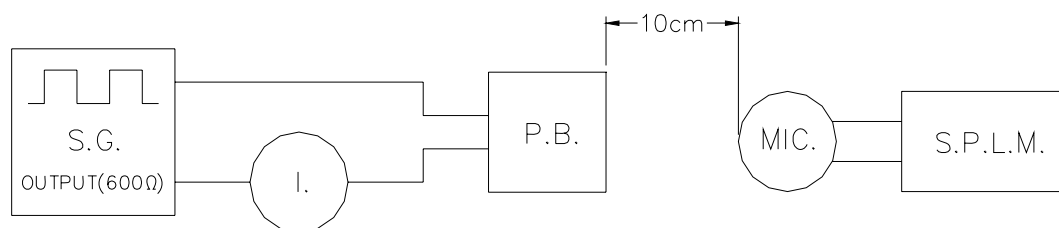
Conformity RoHS Directive(2002/95/EC) Requests.

1. General Specifications:

	Items	Spec.
1.1	Sound Pressure Level	70dB Min. at 5.2 KHz/5.0Vp-p Square Wave/10cm.
1.2	Capacitance	12,000pF±30% at 120Hz
1.3	Current Consumption	3mA Max. at 5.2KHz/5.0Vp-p Square Wave
1.4	Allowable Input Voltage	25Vp-p Max.
1.5	Case Material	LCP(Black)
1.6	Lead Pin Material	Tin Plated Brass(Sn)
1.7	Operating Temp. Range	-20°C to +70°C
1.8	Storage Temp. Range	-30°C to +80°C
1.9	Weight	0.3 gms

2. Test Method :

2.1 Standard Test Diagram



- S.G. : GAG-808G Audio Ggenerator or Equivalent
S.P.L.M. : Sound Pressure Level Meter IEC651 TYPE2
I. : GDM-8145 Multimeter or Equivalent
P.B. : Piezoelectric Buzzer

Note: please pay attention never to be applied DC voltage to piezo sounder.

2.2 Measuring condition

Part shall be measured under a condition

(Temperature: +5°C to +35°C, Humidity: 45% to 85% R.H.)

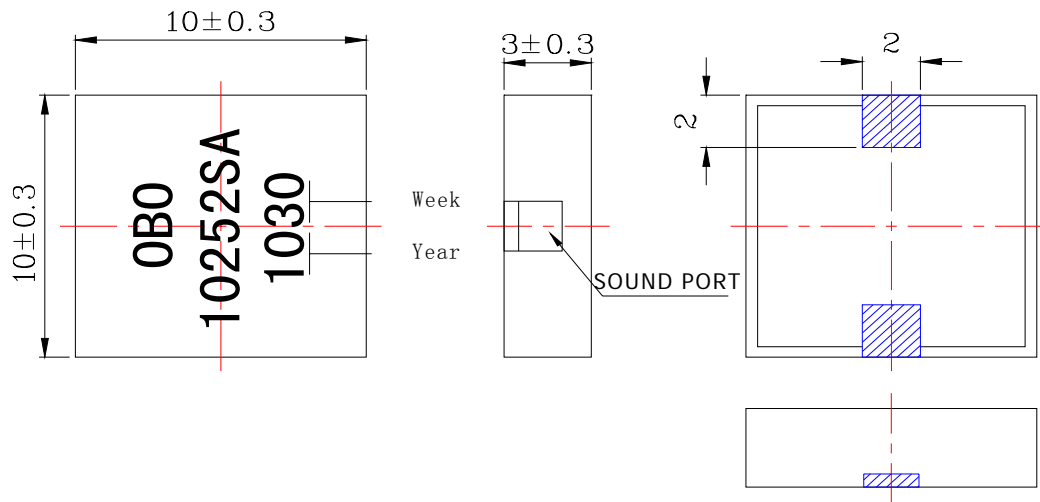
unless the standard condition (Temperature: +25±3°C,

Humidity: 60±10% R.H.) is regulated to measure.

3. Mechanical Layout and Dimensions:

3.1 Dimendions

Tolerance: $\pm 0.3\text{mm}$ Unit: mm



3.2. Environment-related substances to be controlled.

◎ Piezoelectric Ceramic Disc.

RoHs Annex:

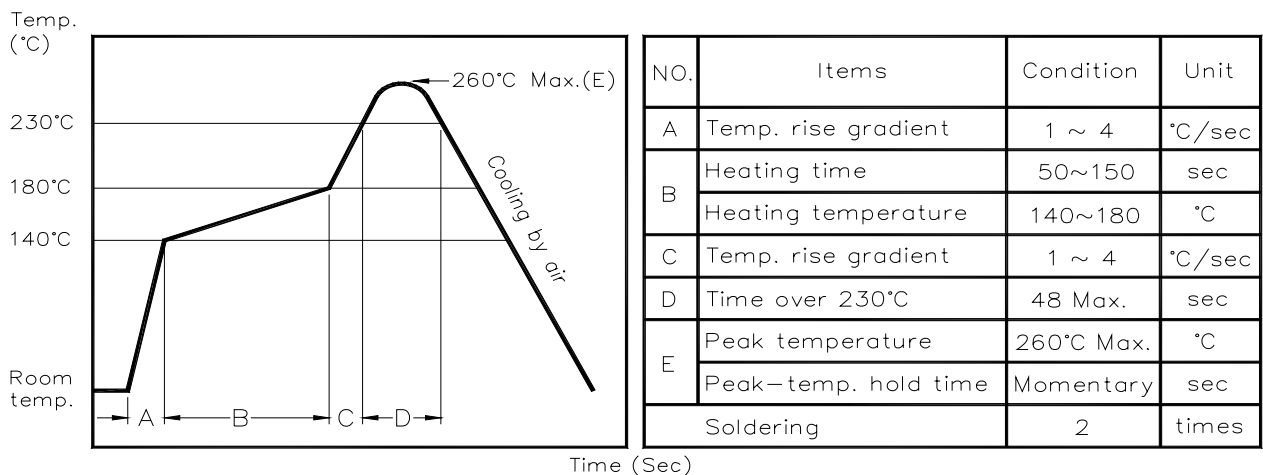
Application of lead, mercury, cadmium and hexavalent chromium, which are exempted from the requirement of article 4(1).

* Lead in electronic ceramic parts.(e.g. piezoelectronic devices).

4. Soldering Condition :

4.1 Reflow Soldering

Recommendable reflow Soldering condition is flows.

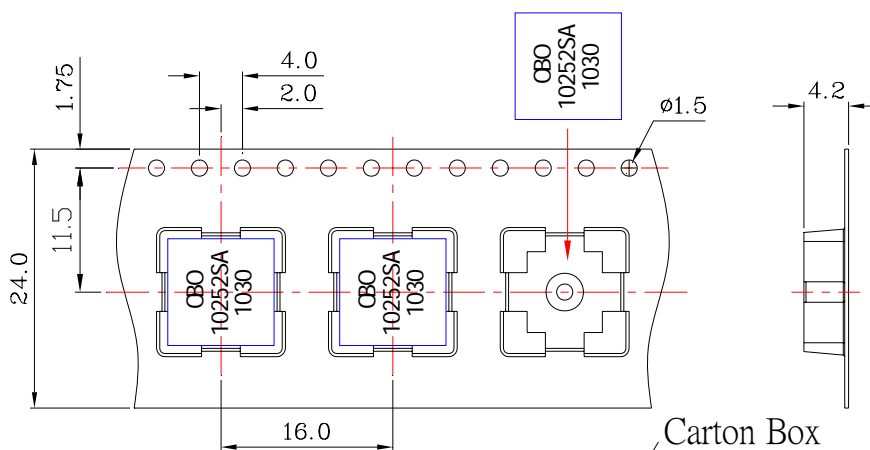
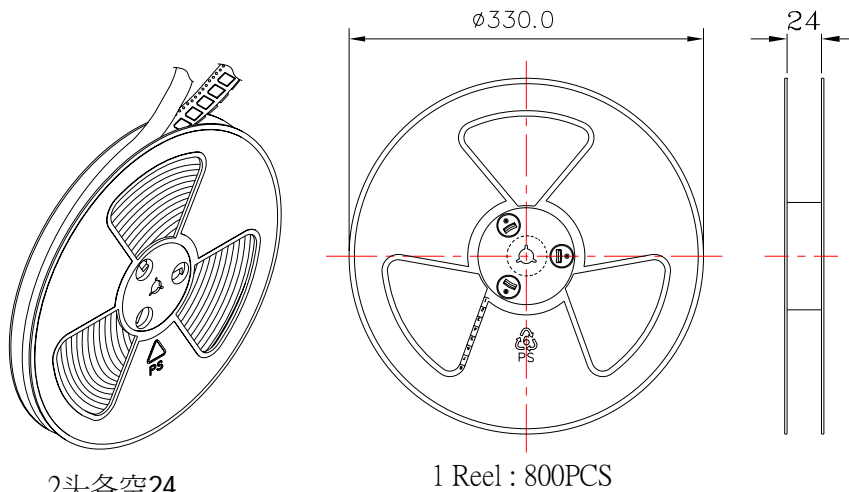


Note: It's requested that second reflows soldering should be executed after heat of product goes down to normal temperature.

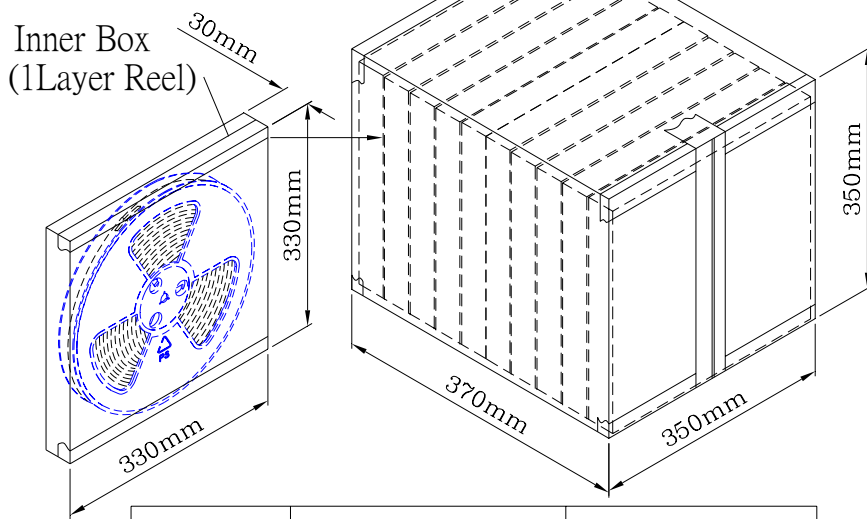
4.2 Hand Soldering

Soldering iron temperature 350°C less than 5 second.

5. Packing Information :



Carton Box
(10 Inner Box)



Inner Box	330mmx330mmx30mm	1x800PCS=800PCS
Carton Box	350mmx350mmx370mm	10x800PCS=8,000PCS