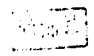
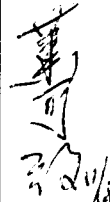
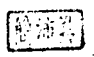
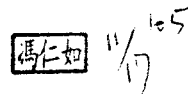
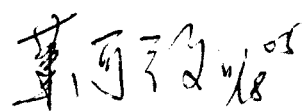


<b>OBO Pro.2</b>	<b>SPECIFICATIONS</b>	<b>MODEL NO.</b> OBO-1212A-D2
	<b>PART NAME</b> Magnetic Transducer	<b>SHEET</b> 1 OF 5

**ALTERNATION HISTORY**

Marking	Date	ECN NO.	REV.	Description	Page	PREPARE BY	APPROVE BY
※1	NOV,17'05	0506011	F	1.Conformity RoHS Directive ( 2002/95/EC ) Requests. 2.Change Packing. 3.Increase by Soldering Condition	5		

REV.	DATE	PREPARED BY	CHECKED BY	APPROVED BY
F	NOV,17,2005			

<b>OBO Pro.2</b>	<b>SPECIFICATIONS</b>	<b>MODEL NO.</b> OBO-1212A-D2
	<b>PART NAME</b> Magnetic Transducer	<b>SHEET</b> 2 OF 5

**MODEL NO : OBO-1212A-D2**

**Features : Conformity RoHS Directive ( 2002/95/EC ) Requests. ※1**

**1、General Specifications :**

Items	Spec
※ Sound Pressure Level	85 dB min./10cm/ 12V
Rated Voltage	12V
Resonant Frequency	2400 ±150 Hz
※ Rated Current	40 mA max./ 12V
Coil Resistance	140 ± 14Ω
Operating Voltage	7 to 16V
Housing Material	NORYL
Operating Temp. Range	-20°C to +70°C
Storage Temp Range	-30°C to +80°C
Weight	1.5 gms ※1

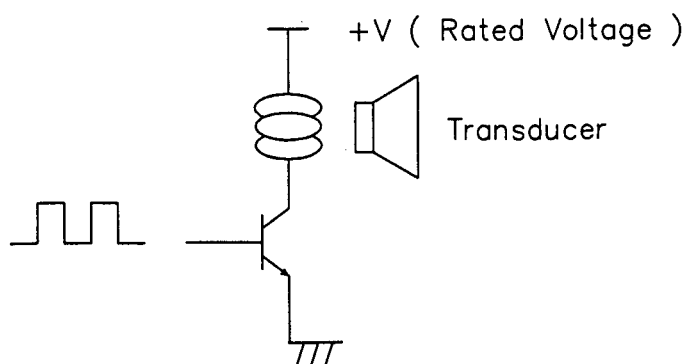
※ Applying rated voltage/ Resonant Frequency , 1/2 duty Square wave

**2、Recommended Driving Circuit :**

Signal :

Resonant frequency, 1/2 duty cycle, square wave.

signal amplitude should be large enough to saturate the transistor which drives the buzzer.

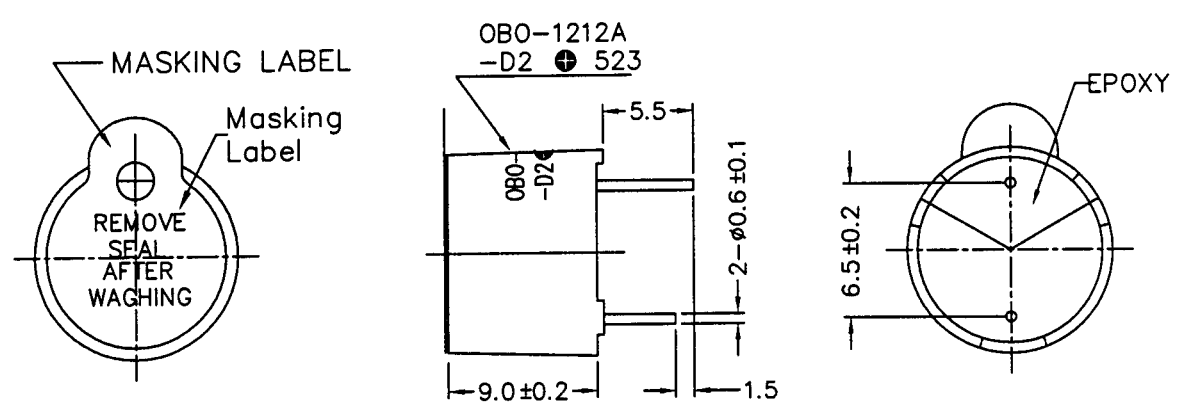


<b>OBO Pro.2</b>	<b>SPECIFICATIONS</b>	<b>MODEL NO.</b> OBO-1212A-D2
	<b>PART NAME</b> Magnetic Transducer	<b>SHEET</b> 3 OF 5

### 3. Mechanical Layout and Dimensions :

#### 3.1 Dimensions

Tolerance:  $\pm 0.5\text{mm}$  Unit: mm



#### 3.2 Meaning of Stamp Mark

- 523 : Production Period
- 5 : Year 2005 (last 1 figures of the year)
- 23 : Week (01~55)

### 4. Soldering Condition : ※1

#### 4.1 Wave Soldering

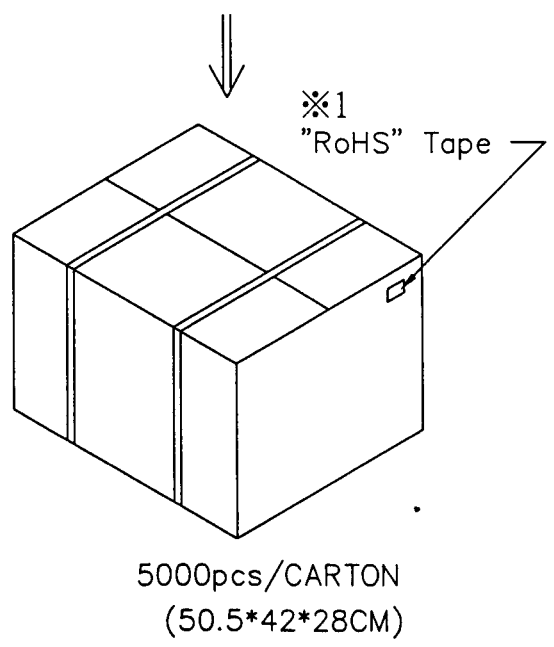
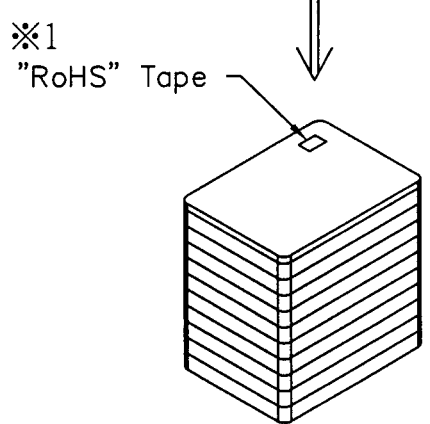
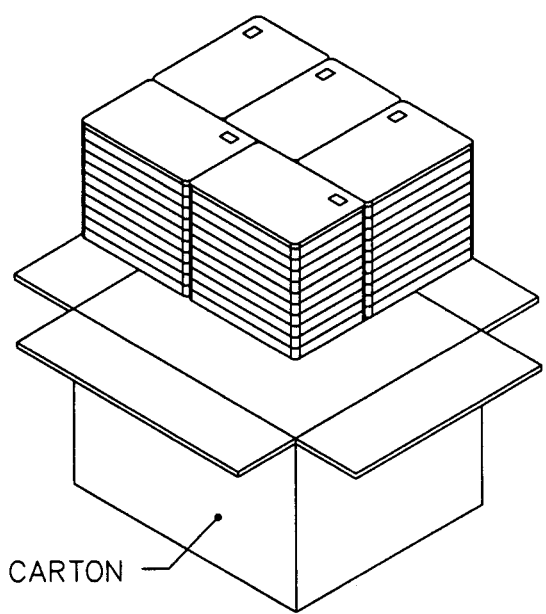
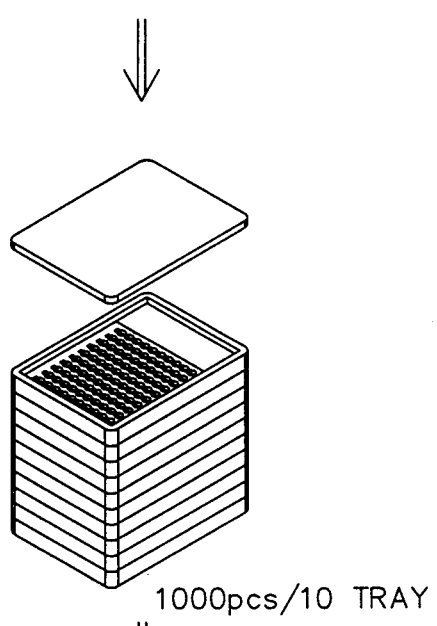
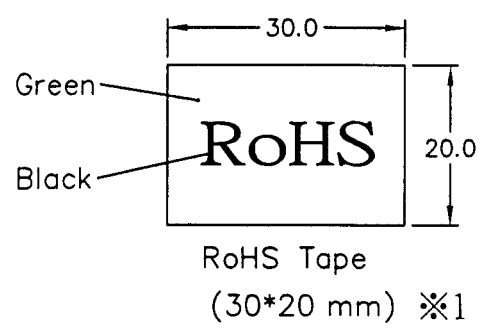
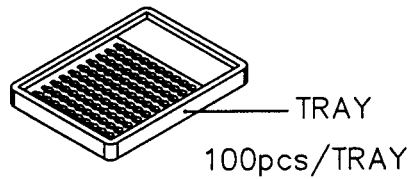
Peak temperature	Dipping time	Soldering
+ 230°C	5 seconds	1 time

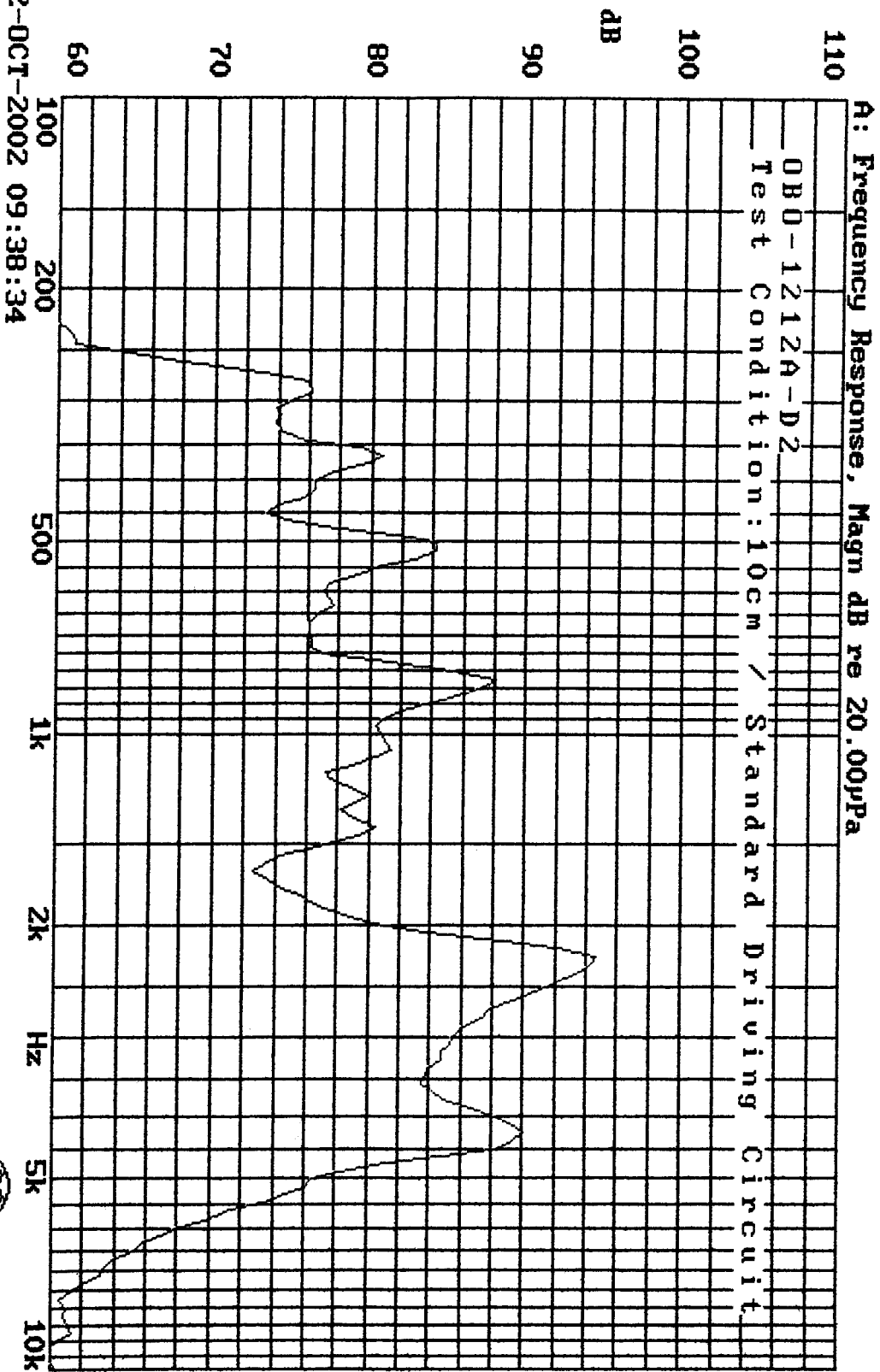
#### 4.2 Hand Soldering

Iron Tip Temperature	Soldering time
+ 350°C , Duration	3 seconds Max.

<b>OBO Pro.2</b>	<b>SPECIFICATIONS</b>	<b>MODEL NO.</b> OBO-1212A-D2
	<b>PART NAME</b> Magnetic Transducer	<b>SHEET</b> 4 OF 5

**5. Packing Information :**





Mode: SSR

22-OCT-2002 09:38:34

