

OBO Pro.2	SPECIFICATIONS	MODEL NO. OBO-12AP-87
	PART NAME Magnetic Transducer	SHEET 1 OF 5

ALTERNATION HISTORY

Marking	Date	ECN NO.	REV.	Description	Page	PREPARE BY	APPROVE BY
.		
---	MAR,25'2003	0303009	E	1.Change the tolerance:±0.5 to ±0.2 for pin. 2.Change the operating voltage:1~2 to 1~3V. 3.Increase by standard test conditions and test method.	5	Penny Wu	DARREN
※1	MAY,11'2005	0505001	F	Increase Dimensions Of 3.25±0.5 mm & Change Dimensions Of 6.5±0.3 mm	5	Lulu	DARREN
※2	July,27'2005	0501010	G	Conformity RoHS Directive (2002/95/EC) Requests.	5	李保祿	DARREN
※3	March,2'2006	0603001	H	1.Increase Remark. 2.Change The Packing Tape.	4/5	馮仁如	葉河波 3/26

REV.	DATE	PREPARED BY	CHECKED BY	APPROVED BY
H	MAR,02,2006	LULU	蘭沛珍	葉河波 3/26

OBO Pro.2®	SPECIFICATIONS	MODEL NO. OBO-12AP-87
	PART NAME Magnetic Transducer	SHEET 2 OF 5

MODEL NO : OBO-12AP-87

Features : Conformity RoHS Directive (2002/95/EC) Requests. ※2

1 、 General Specifications :

Items	Specification
※ Sound Pressure Level	87 dB min./10cm/DC 1.5V
Rated Voltage	DC 1.5V
Resonant Frequency	2048 Hz
※ Rated Current	15 mA max./DC 1.5 V
Coil Resistance	42 ± 6 (Ω)
Operating Voltage	DC 1 to 3V
Housing Material	NORYL
Operating Temp. Range	-20°C to +70°C
Storage Temp Range	-30°C to +80°C
Weight	2.0 gms

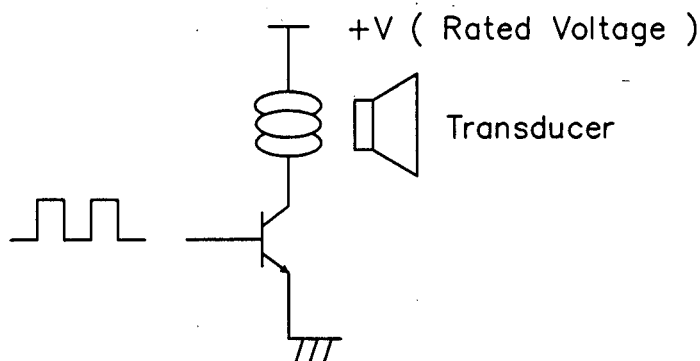
※ Applying rated voltage/ Resonant Frequency , 1/2 duty Square wave

2 、 Recommended Driving Circuit :

Signal :

Resonant frequency, 1/2 duty cycle, square wave.

signal amplitude should be large enough to saturate the transistor which drives the buzzer.

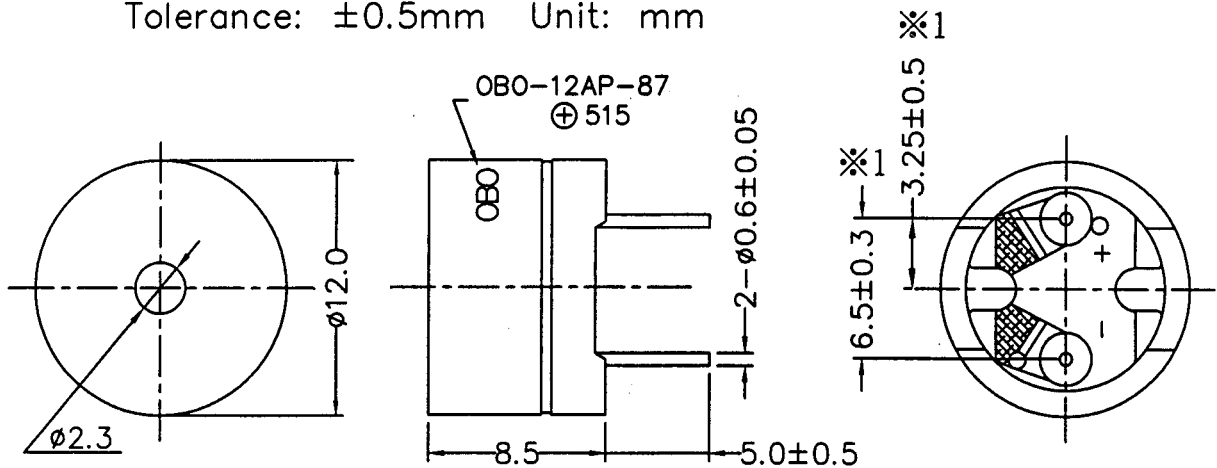


OBO Pro.2	SPECIFICATIONS	MODEL NO. OBO-12AP-87
	PART NAME Magnetic Transducer	SHEET 3 OF 5

3、Mechanical Layout and Dimensions :

3.1 Dimensions

Tolerance: $\pm 0.5\text{mm}$ Unit: mm



3.2 Meaning of Stamp Mark

515 : Production Period

5 : Year 2005 (last 1 figures of the year)

15 : Week (01~55)

4、Soldering Condition : ※2

4.1 Wave Soldering

Peak temperature	Dipping time	Soldering
+ 260°C	5 seconds	1 time

4.2 Hand Soldering

Iron Tip Temperature	Soldering time
+ 350°C , Duration	3 seconds Max.

4.3 Heat Resistance

Heat Resistance	Soldering time
+ 380°C , Duration	3 seconds Max.

OBO Pro.2	SPECIFICATIONS	MODEL NO. OBO-12AP-87
	PART NAME Magnetic Transducer	SHEET 4 OF 5

5 · Remark : ※3

Since there's no bottom cover for OBO-12AP-87,pcb/raw materials were revealed outside,not much more protected like transducer which has back cover. It's not recommend for doing extra works(cut off pin,solder,lead wire,and so on....)on it.

6 · Packing Information :

