

<b>OBO Pro.2</b>	<b>SPECIFICATIONS</b>	<b>MODEL NO.</b> OBO-14C40PA
	<b>PART NAME</b> Piezoelectric Buzzer	<b>SHEET</b> 1 OF 5

**ALTERNATION HISTORY**

Marking	Date	ECN NO.	REV.	Description	Page	PREPARE BY	APPROVE BY
--	SEP,19'06	----	A	New Document	5	馮仁如	陳運合

REV.	DATE	PREPARED BY	CHECKED BY	APPROVED BY
A	SEP,19,2006	LULU	陳運合	陳運合

**OBO Pro.2**

**SPECIFICATIONS**

**MODEL NO.**  
OBO-14C40PA

**PART NAME**  
Piezoelectric Buzzer

**SHEET**  
2 OF 5

**MODEL NO : OBO-14C40PA**

**Features : Built-in Circuit & lead pin type**

**Conformity RoHS Directive ( 2002/95/EC ) Requests.**

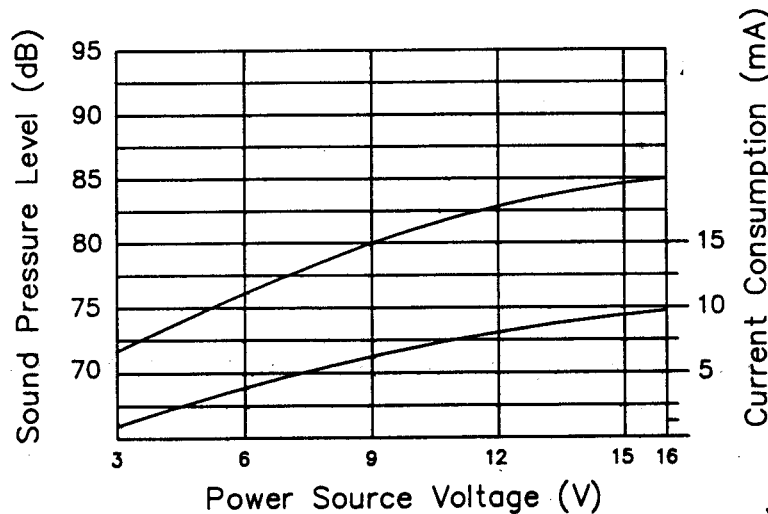
**1. General Requirements**

Items	Requirements
Sound Pressure Level	80 dB min./10cm/DC 9V
Oscillating Frequency	4.0 ± 0.5KHz
Current Consumption	7 mA Max./DC 9V
Tone Nature	Single
Operating Voltage	DC 6 to 12V
Case Material	NORYL
Operating Temp. Range	-20°C to +70°C
Storage Temp. Range	-30°C to +80°C
Weight	1 gms
Voltage vs Sound Pressure vs Current Consumption Curve	As Per Fig.1

Fig.1:

Measurement distance : 10cm. / Current consumption by GDM-8145

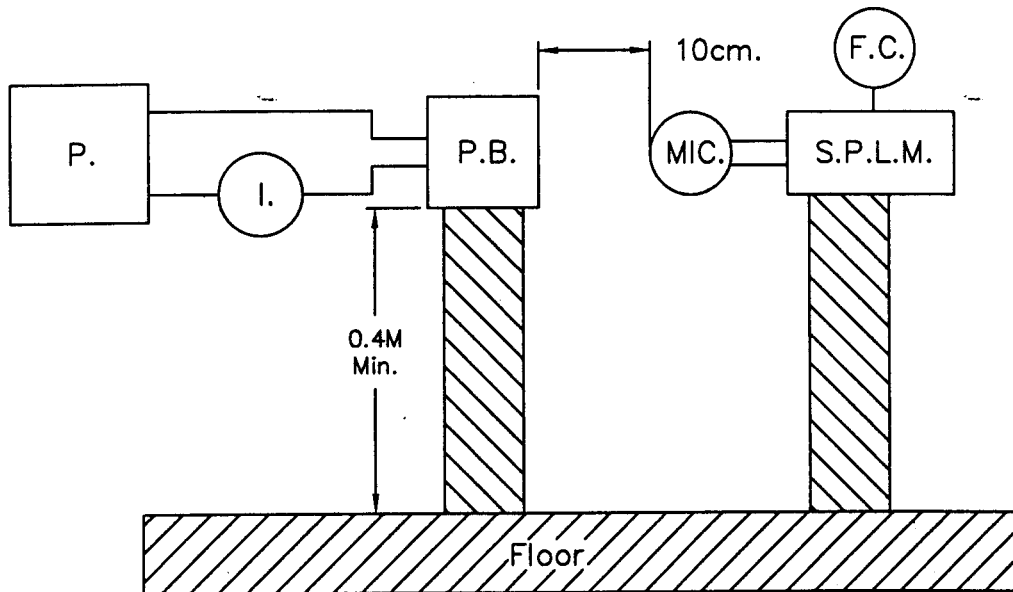
Sound level meter by IEC651 TYPE2 / DC power supply by GPC-3030D



<b>OBO Pro.2</b> <sup>®</sup>	<b>SPECIFICATIONS</b>	<b>MODEL NO.</b> OBO-14C40PA
	<b>PART NAME</b> Piezoelectric Buzzer	<b>SHEET</b> 3 OF 5

## 2. Test Method :

### 2.1 Standard Test Diagram



- P. : DC Power Supply GPC-3030D or Equivalent
- S.P.L.M. : Sound Pressure Level Meter IEC651 TYPE2
- I. : Multimeter GDM-8145 or Equivalent
- F.C. : Function Generator GFG-8016G or Equivalent
- P.B. : Piezoelectric Buzzer

### 2.2 Standard Test Condition

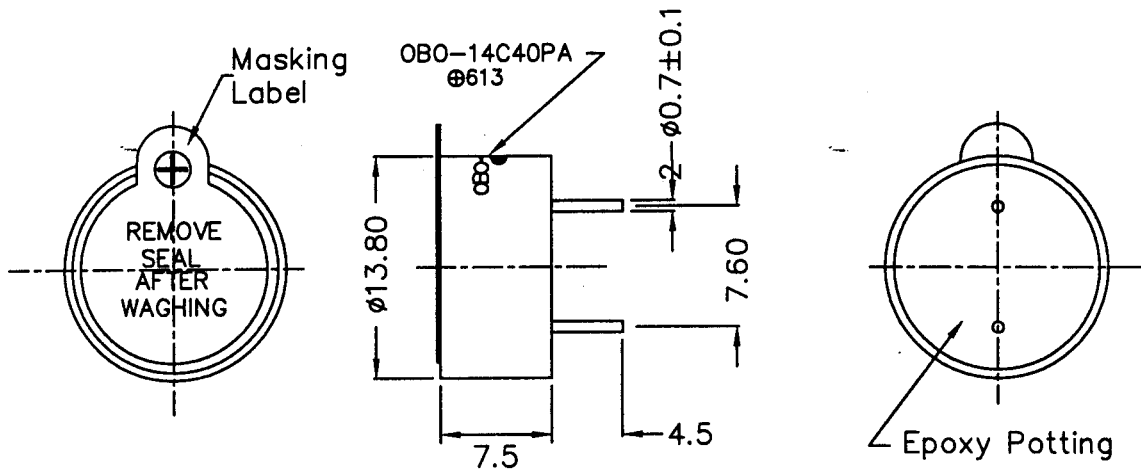
Part shall be measured under a condition  
 (Temperature : +5 to +35°C, Humidity : 45% to 85%R.H.)  
 unless the standard condition.(Temperature : +25±3°C,  
 Humidity : 60±10%R.H.) is regulated to measure.

<b>OBO Pro.2</b>	<b>SPECIFICATIONS</b>	<b>MODEL NO.</b> OBO-14C40PA
	<b>PART NAME</b> Piezoelectric Buzzer	<b>SHEET</b> 4 OF 5

### 3. Mechanical Layout and Dimensions :

#### 3.1 Dimensions

Tolerance:  $\pm 0.5\text{mm}$  Unit: mm



Wave Solder and Wash Allowed

#### 3.2 Meaning of Stamp Mark

613 : Production Period

6 : Year 2006 (last 1 figures of the year)

13 : Week (01~55)

### 4. Soldering Condition :

#### 4.1 Wave Soldering

Peak temperature	Dipping time	Soldering
+ 260°C	5 seconds	1 time

#### 4.2 Hand Soldering

Iron Tip Temperature	Soldering time
+ 380°C Max.	Duration 3 seconds Max.

<b>OBO Pro.2®</b>	<b>SPECIFICATIONS</b>	<b>MODEL NO.</b> OBO-14C40PA
	<b>PART NAME</b> Piezoelectric Buzzer	<b>SHEET</b> 5 OF 5

**5. Environment-related substances to be controlled.**

◎ Piezoelectric Ceramic Disc.

RoHS Annex :

Application of lead, mercury, cadmium and hexavalent chromium, which are exempted from the requirement of article 4(1).

\* Lead in electronic ceramic parts.(e.g. piezoelectronic devices).

**6. Packing Information :**

