

<b>OBO Pro.2®</b>	<b>SPECIFICATIONS</b>	MODEL NO. OBO-15230
	PART NAME Piezoelectric Buzzer	SHEET 1 OF 6

**ALTERNATION HISTORY**

Marking	Date	ECN NO.	REV.	Description	Page	PREPARE BY	APPROVE BY
※1	DEC,06'06	0608009	H	Conformity RoHS Directive ( 2002/95/EC ) Requests.	6	謝淑雅	陳達合

REV.	DATE	PREPARED BY	CHECKED BY	APPROVED BY
H	DEC,06,2006	Eileen	陳達合	陳達合

<b>OBO Pro.2</b>	<b>SPECIFICATIONS</b>	<b>MODEL NO.</b> OBO-15230
	<b>PART NAME</b> Piezoelectric Buzzer	<b>SHEET</b> 2 OF 6

**MODEL NO : OBO-15230**

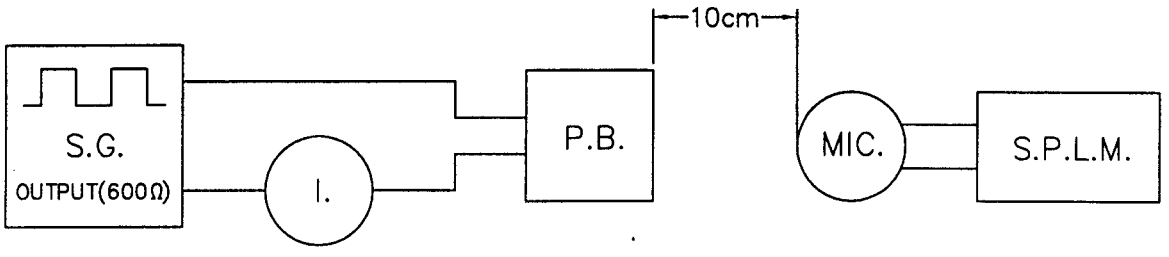
**Features : External drive & lead pin type**  
**Conformity RoHS Directive ( 2002/95/EC ) Requests. ※1**  
**Wave solder and wash allowed**

**1、General Specifications :**

Items	Specification
Sound Pressure Level	80dB Min. at 3.5KHz/9Vp-p Square Wave/10cm
	70dB Min. at 3.5KHz/1Vrms Sine Wave/10cm
Capacitance	12,000pF ± 30% at 120Hz
Current Consumption	3mA max. at 3.5KHz/9Vp-p Square Wave
Allowable Input Voltage	15Vp-p max.
Case Material	PBT (UL 94V-0)
Lase Pin Material	Bronze
Operating Temp. Range	-20°C to +70°C
Storage Temp. Range	-40°C to +85°C
Weight	1.2 gms
Frequency Response	As Per A

**2、Test Method :**

2.1 Standard Test Diagram



- S.G. : GAG-808G Audio Ggenerator or Equivalent
- S.P.L.M. : Sound Pressure Level Meter IEC651 TYPE2
- I. : GDM-8145 Multimeter or Equivalent
- P.B. : Piezoelectric Buzzer

*Note: please pay attention never to be applied DC voltageto piezo sounder*

<b>OBO Pro.2®</b>	<b>SPECIFICATIONS</b>	<b>MODEL NO.</b> OBO-15230
	<b>PART NAME</b> Piezoelectric Buzzer	<b>SHEET</b> 3 OF 6

2.2 Standard Test Condition ※1

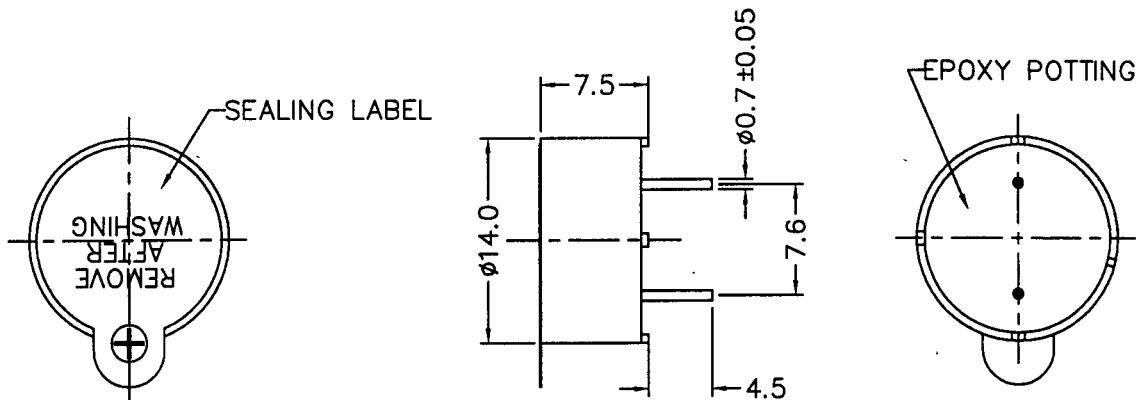
Part shall be measured under a condition  
(Temperature : +5 to +35°C, Humidity : 45% to 85%R.H.)  
unless the standard condition.(Temperature : +25±3°C,  
Humidity : 60±10%R.H.) is regulated to measure.

3、Mechanical Layout & Dimensions :

3.1 Dimensions

Tolerance: ±0.5 mm except specified

Unit: mm



3.2 Environment-related substances to be controlled ※1

◎ Piezoelectric Ceramic Disc.

RoHs Annex :

Application of lead, mercury, cadmium and hexavalent chromium,  
which are exempted from the requirement of article 4(1).

\* Lead in electronic ceramic parts.(e.g. piezoelectronic devices).

<b>OBO.Pro.2®</b>	<b>SPECIFICATIONS</b>	<b>MODEL NO.</b> OBO-15230
	<b>PART NAME</b> Piezoelectric Buzzer	<b>SHEET</b> 4 OF 6

**4、Soldering Condition :**

4.1 Wave Soldering ※1

Peak temperature	Dipping time	Soldering
+ 260°C	5 seconds	1 time

4.2 Hand Soldering

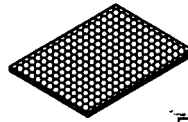
Iron Tip Temperature	Soldering time
+ 380°C Max.	Duration 3 seconds Max.

<b>OBO Pro.2®</b>	<b>SPECIFICATIONS</b>	<b>MODEL NO.</b> OBO-15230
	<b>PART NAME</b> Piezoelectric Buzzer	<b>SHEET</b> 5 OF 6

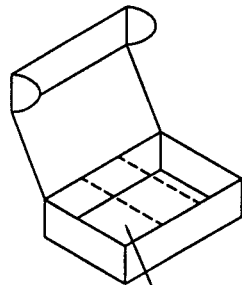
5、Packing



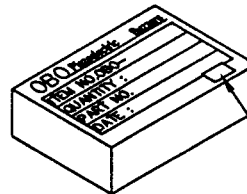
Buzzer



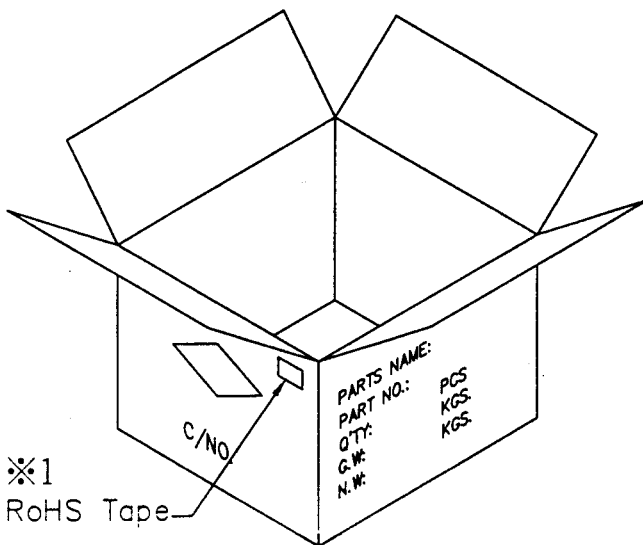
Foam Pad(195\*145\*6mm)



PVC Contents(205\*152\*60mm)  
500pcs/ box(218\*152\*61mm)

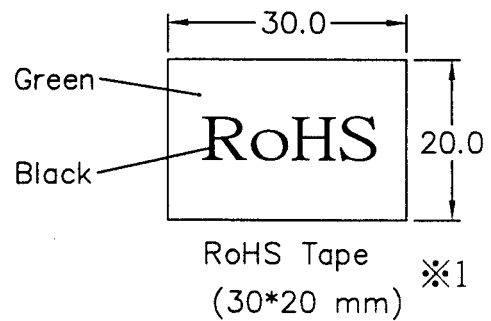


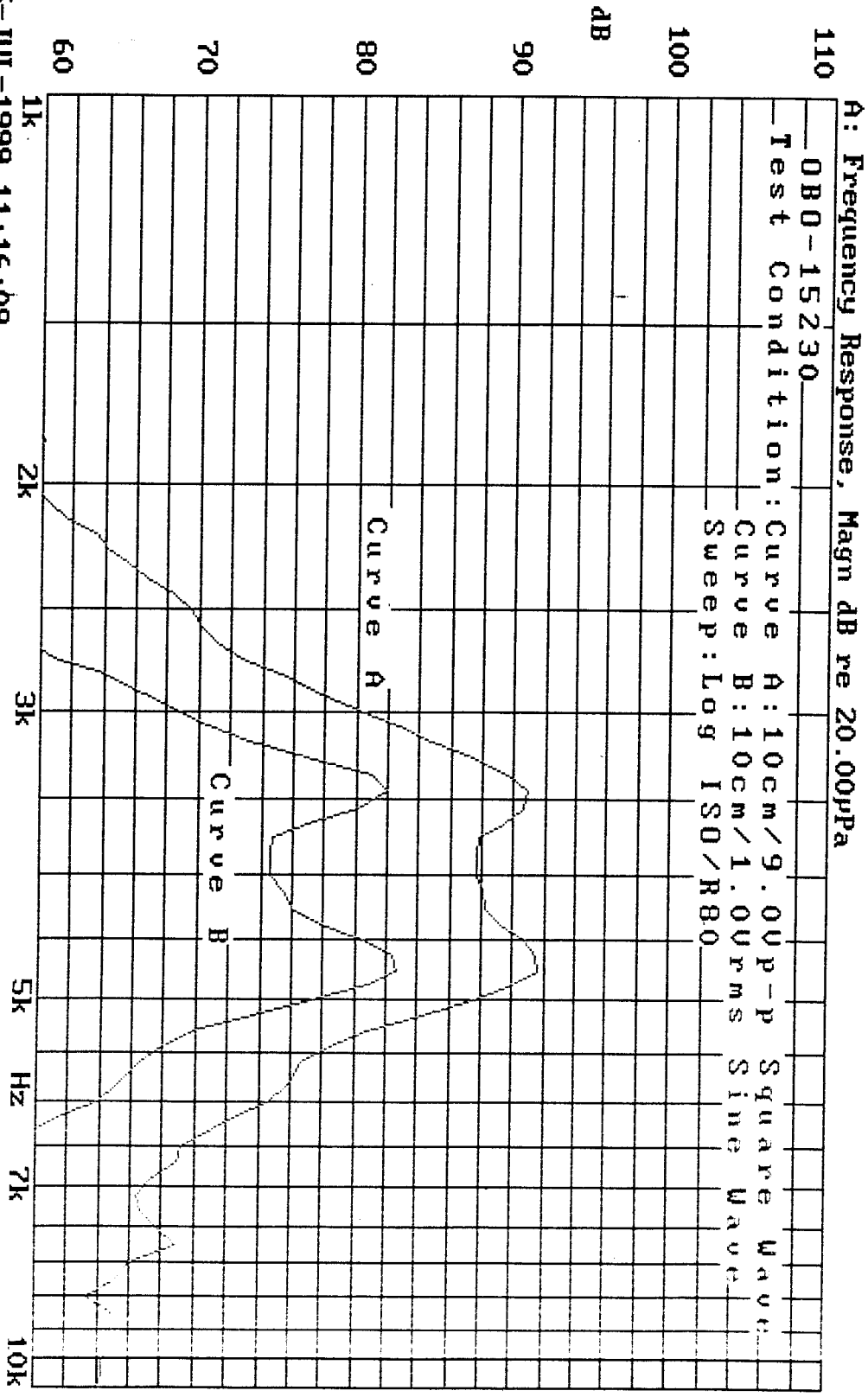
※1  
RoHS Tape



※1  
RoHS Tape

20 Box(10,000pcs)/ Carton  
1.74寸(400\*382\*330mm)





15-JUL-1999 11:16:09  
Mode: SSR

