

<b>OBO.Pro.2®</b>	<b>SPECIFICATIONS</b>	<b>MODEL NO.</b> OBO-15240PA
	<b>PART NAME</b> Piezoelectric Buzzer	<b>SHEET</b> 1 OF 7

**ALTERNATION HISTORY**

Marking	Date	ECN. NO.	REV.	Description	Page	PREPARE BY	APPROVE BY
※1	JUN,23'05	0506003	F	Conformity RoHS Directive ( 2002/95/EC ) Requests.	7	簡秀燕	DARREN
※2	SEP,21'06	0608006	G	Change RoHS label.	5,6	林彥	陳達合

REV.	DATE	PREPARED BY	CHECKED BY	APPROVED BY
G	SEP,21,2006	Eileen	馮仁如	陳達合

<b>OBO Pro.2®</b>	<b>SPECIFICATIONS</b>	<b>MODEL NO.</b> OBO-15240PA
	<b>PART NAME</b> Piezoelectric Buzzer	<b>SHEET</b> 2 OF 7

**MODEL NO : OBO-15240PA**

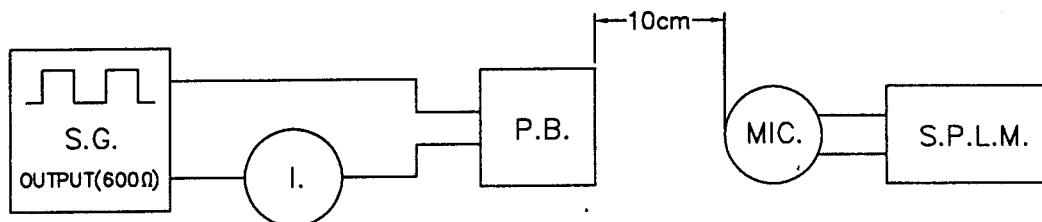
**Features : External drive & lead pin type**  
**Conformity RoHS Directive ( 2002/95/EC ) Requests. ※1**

**1. General Specifications :**

	Items	Specification
1.1	Sound Pressure Level	80dB min. at 4.0KHz/9Vp-p Square Wave/10cm 70dB min. at 4.0KHz/1Vrms Sine Wave/10cm
1.2	Capacitance	14000pF ± 30% at 120Hz
1.3	Current Consumption	3mA max. at 4.0KHz/9Vp-p Square Wave
1.4	Allowable Input Voltage	30Vp-p max.
1.5	Case Material	Top Case:PC(UL 94V-2),Bottom Case:PBT(UL 94V-0)
1.6	Lead Pin Material	Phosphor Bronze (Sn Plated)
1.7	Operating Temp. Range	-20°C to +70°C
1.8	Storage Temp. Range	-40°C to +85°C
1.9	Weight	1.5 gms

**2. Test Method :**

2.1 Standard Test Diagram



- S.G. : GAG-808G Audio Generator or Equivalent
- S.P.L.M. : Sound Pressure Level Meter IEC651 TYPE2
- I. : GDM-8145 Multimeter or Equivalent
- P.B. : Piezoelectric Buzzer

*Note: please pay attention never to be applied DC voltage to piezo sounder*

<b>OBO Pro.2®</b>	<b>SPECIFICATIONS</b>	MODEL NO. OBO-15240PA
	PART NAME Piezoelectric Buzzer	SHEET 3 OF 7

2.2 Standard Test Condition

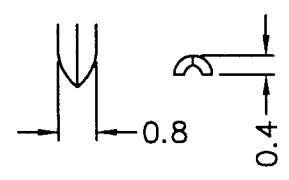
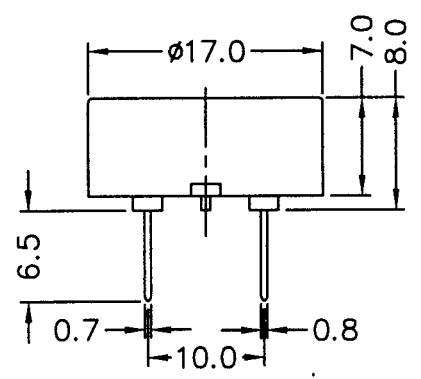
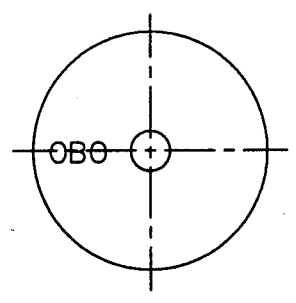
Part shall be measured under a condition  
 (Temperature : +5 to +35°C, Humidity : 45% to 85%R.H.)  
 unless the standard condition.(Temperature : +25±3°C,  
 Humidity : 60±10%R.H.) is regulated to measure.

**3. Mechanical Layout and Dimensions :**

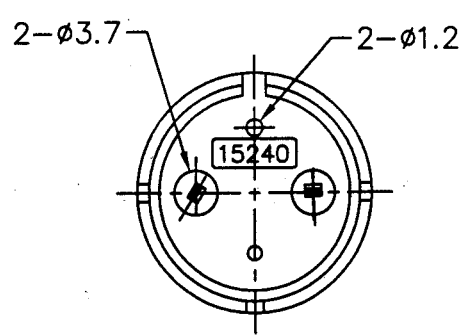
3.1 Dimensions

Tolerance: ±0.5 mm except specified

Unit: mm



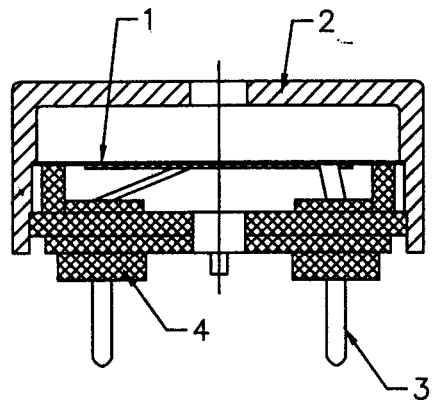
Pin Terminal



<b>OBO Pro.2</b>	<b>SPECIFICATIONS</b>	<b>MODEL NO.</b> OBO-15240PA
	<b>PART NAME</b> Piezoelectric Buzzer	<b>SHEET</b> 4 OF 7

※1  
3.2 Material List

We Hereby Certificate That Our Product Meet With ROHS Request And The Details As Below.



No.	Part Name	Material	Hazardous Substances Limit (ppm)						Q'TY
			Pb	Cd	Hg	Cr+6	PBBs	PBDE	
1	Piezoelectric Diaphragm	ceramics & Brass	---	---	---	---	---	---	1
2	Top Case	PC	< 100	< 5	< 5	< 100	< 5	< 5	1
3	Pin	Brass	< 40000	< 75	< 8	< 1000	---	---	2
4	Bottom Case	PBT	< 100	< 5	< 5	< 100	< 5	< 5	1

Note : (1) ppm = mg/kg (2) "----" = Not Applicable.

3.3 Environment-related substances to be controlled ※1

3.3.1 Piezoelectric Ceramic Disc.

RoHs Annex :

Application of lead, mercury, cadmium and hexavalent chromium, which are exempted from the requirement of article 4(1).

\* Lead in electronic ceramic parts.(e.g. piezoelectronic devices).

<b>OBO Pro.2</b>	<b>SPECIFICATIONS</b>	<b>MODEL NO.</b> OBO-15240PA
	<b>PART NAME</b> Piezoelectric Buzzer	<b>SHEET</b> 5 OF 7

3.3.2 Brass Plate

RoHs Annex :

Lead in an alloying element in steel containing up to 0.35% lead by weight, aluminium containing up to 0.4% lead by weight and as a copper alloy containing up to 4.0% lead by weight.

**4. Soldering Condition : ※2**

4.1 Wave Soldering

Peak temperature	Dipping time	Soldering
+ 260°C	5 seconds	1 time

4.2 Hand Soldering

Iron Tip Temperature	Soldering time
+ 380°C Max.	Duration 3 seconds Max.

<b>OBO Pro.2</b>	<b>SPECIFICATIONS</b>	<b>MODEL NO.</b> OBO-15240PA
	<b>PART NAME</b> Piezoelectric Buzzer	<b>SHEET</b> 6 OF 7

**5. Packing Information :**

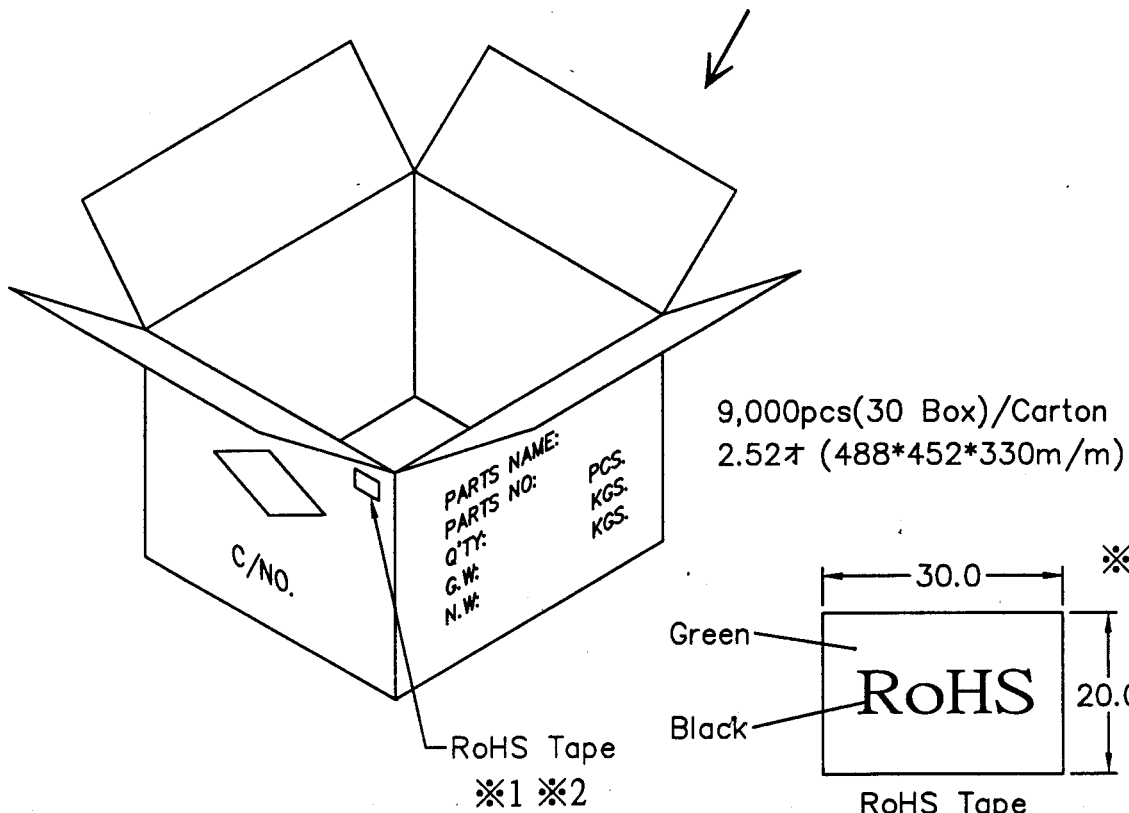
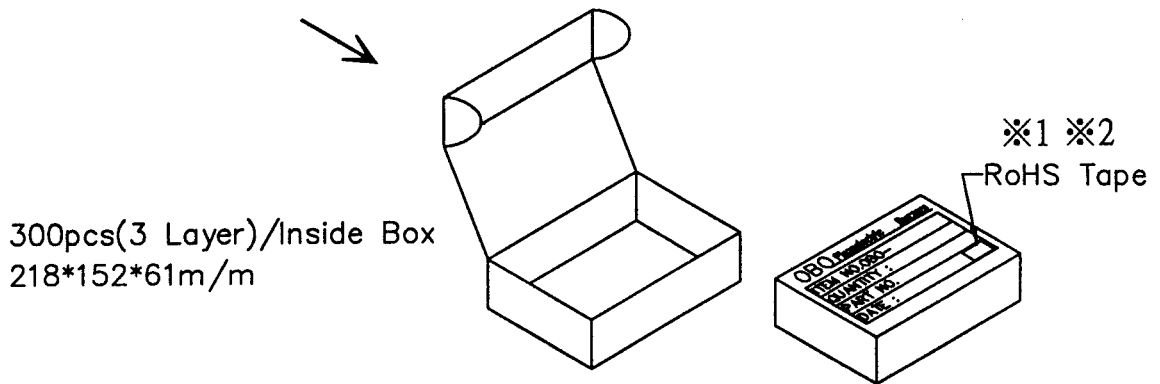
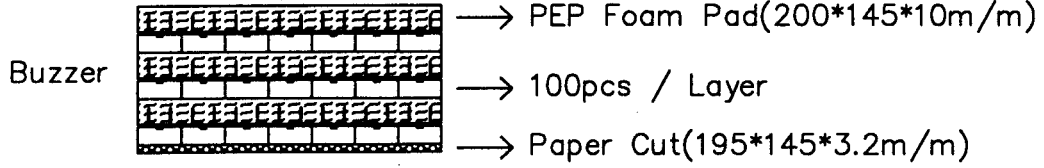
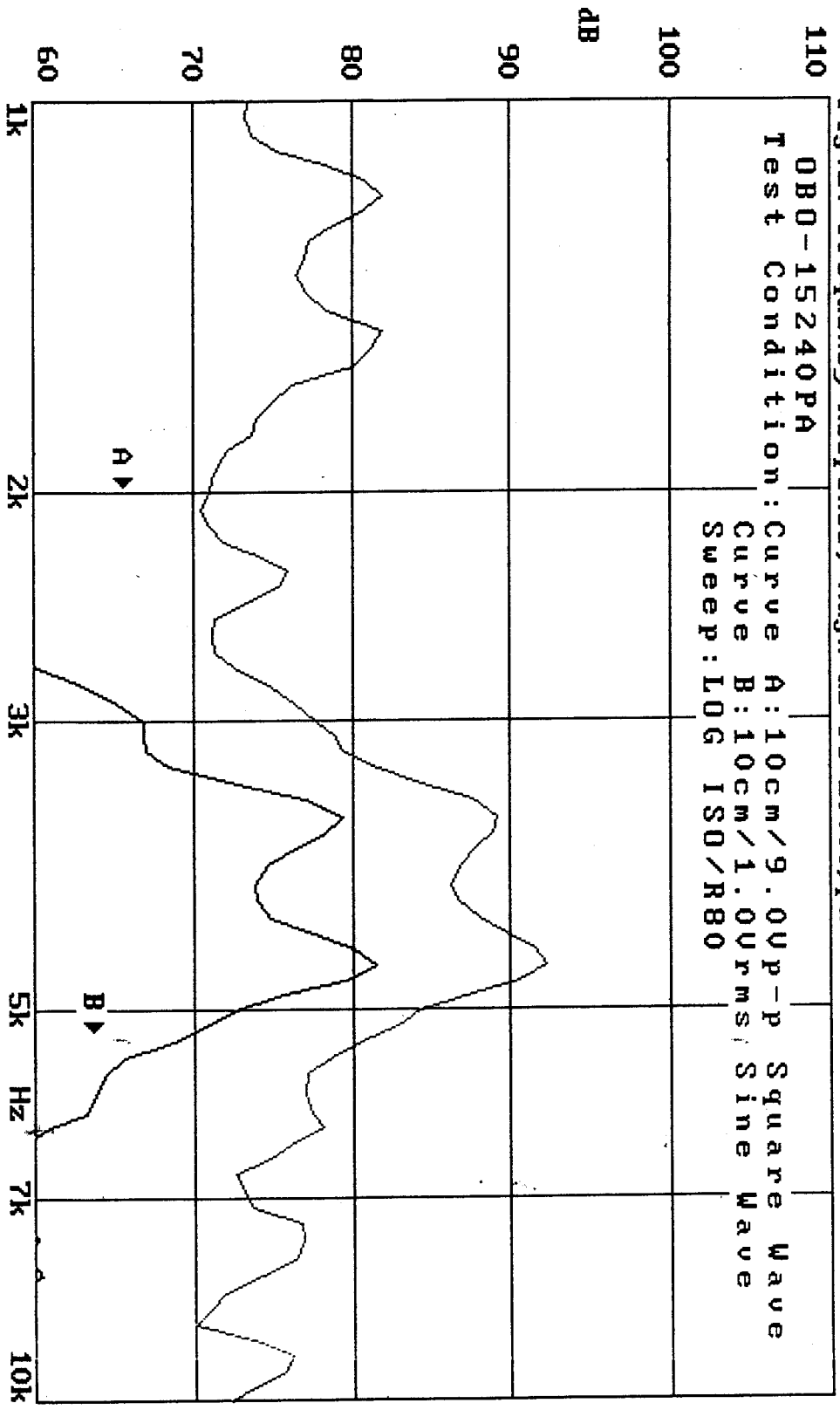


Fig. 2: Frequency Response, Magn dB re 20.00µpa



OB0-15240PA  
Test Condition: Curve A: 10cm/9.0Vp-p Square Wave  
Curve B: 10cm/1.0Vrms Sine Wave  
Sweep: LOG ISO/R80

15-MAR-2002 10:32:04

Mode: SSR

